



INDUSTRIAL

HAZARDOUS
AREAS

DATA ICT

RESIDENTIAL
COMMERCIAL



B&R Enclosures
UNIVERSAL PB

brenclosures.com.au

Universal PB

Modular Universal Distribution Board System



- Highly robust distribution board system.
- Design based on Universal NI series.
- Includes unique and universal equipment fixing system.
- Manufactured from 1.6mm thick zinc coated steel or 1.5mm thick 316 stainless steel.
- Powdercoated Pebble Grey RAL7032 or N4 surface finish.

Comes standard with:

- Top and bottom gland plates (except on extension box)
- Hinged escutcheon (fixed escutcheon on extension box)
- Slotted universal equipment mounting rails (2x46mm rail & 1x121mm rail)
- Schedule holder and identification card (except on extension box)
- NI020 lock on powdercoated steel and NI020/S on stainless steel
- Earth strap kit



ORDERING GUIDE

Part Number		Dimensions (mm)										Weight (kg)
		External			Gland Opening		Opening		Escutcheon			
Zinc coated steel	316 stainless steel	Height (A)	Width (B)	Depth (C)	Width (D)	Depth (E)	Height (F)	Width (G)	Height (H)	Width (I)		
PB0750	PB0750/S	750	600	234	440	120	705	555	697	461	31.0	
PB0860	PB0860/S	860	600	234	440	120	815	555	807	461	34.0	
PB0970	PB0970/S	970	600	234	440	12	925	555	917	461	38.0	
PB1200	PB1200/S	1200	600	234	440	120	1155	555	1147	461	45.0	
PB1400	PB1400/S	1400	600	234	440	120	1355	555	1347	461	52.0	
PB1600	PB1600/S	1600	600	234	440	120	1555	555	1547	461	59.0	
Control Extension Box												
PB0350*	PB0350/S	350	600	234	440	120	305	555	297	461	14.0	

* Hinged escutcheon supplied on all units except for the control extension box, which has fixed escutcheon.



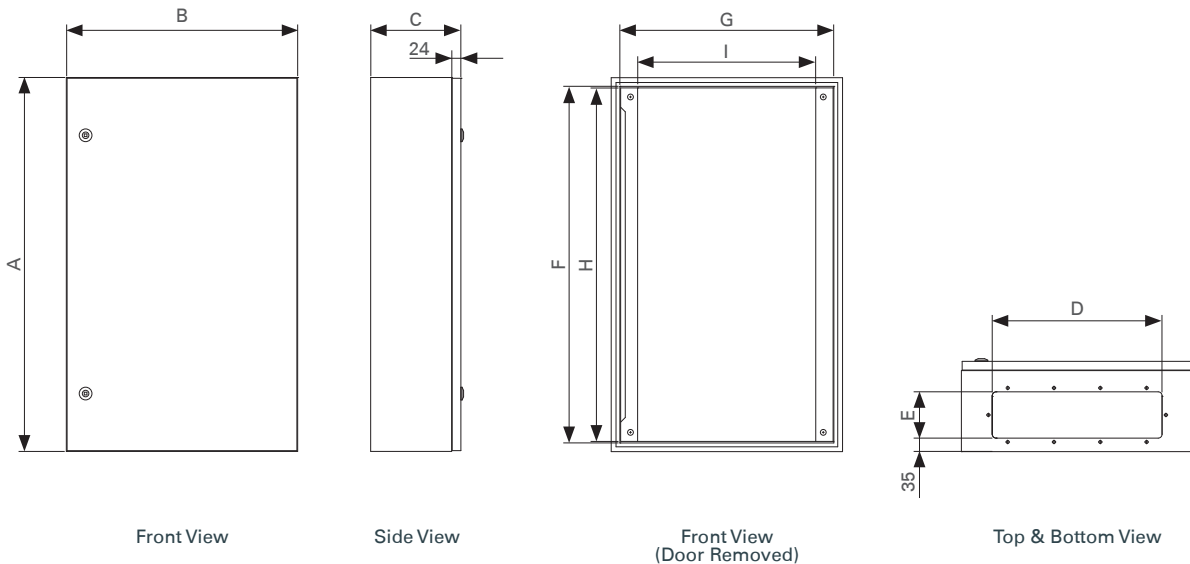
See **Page 4** for a range of lock options available for the Universal PB range.

ACCESSORIES

Product	Description	Part Number	Dimensions (mm)			PB0350	PB0350/S	PB0750	PB0750/S	PB0860	PB0860/S	PB0970	PB0970/S	PB1200	PB1200/S	PB1400	PB1400/S	PB1600	PB1600/S	
			Height	Width	Depth															
Rainhoods	Zinc coated steel	PBRH062	46	600	250	•	•	•	•	•	•	•	•	•	•	•	•	•	•	
	316 stainless steel	PBRH062/S	46	600	250	•	•	•	•	•	•	•	•	•	•	•	•	•	•	
Gland plates	Zinc coated steel	PBGP062	120	440	1.6	•	•	•	•	•	•	•	•	•	•	•	•	•	•	
	316 stainless steel	PBGS062	120	440	1.5	•	•	•	•	•	•	•	•	•	•	•	•	•	•	
	Brass	PBGB062/3	120	440	3	•	•	•	•	•	•	•	•	•	•	•	•	•	•	
	Aluminium	PBGA062/6	120	440	6	•	•	•	•	•	•	•	•	•	•	•	•	•	•	
Escutcheon	Fixed	PBFE0350D	302	552	350	•	•													
	Hinged	PBHE0350	302	552	350	•	•													
Mounting base	3mm galvanised steel	PBBM062	100	600	210	•	•	•	•	•	•	•	•	•	•	•	•	•	•	
Wall mounting brackets	Zinc coated steel	PBEMB	50	700	-	•	•	•	•	•	•	•	•	•	•	•	•	•	•	
	316 stainless steel	PBEMB/S	50	700	-		•	•	•	•	•	•	•	•	•	•	•	•	•	
Equipment mounting rails	Universal slotted	PBEMR1	46	524	23	•	•	* * * *	* * * *	•	•	•	•	•	•	•	•	•	•	
		PBEMR2	121	524	23	•	•	** ** *	** ** *	** ** *	•	•	•	•	•	•	•	•	•	
		PBEMR3	46	524	43	•	•	•	•	•	•	* * *	* * *	•	•	•	•	•	•	
		PBEMR4	121	524	43	•	•	•	•	•	•	** ** *	** ** *	** ** *	** ** *	•	•	•	•	
		PBEMR5	46	524	63	•	•	•	•	•	•	•	•	•	•	•	* * *	* * *	* * *	* * *
		PBEMR6	121	524	63	•	•	•	•	•	•	•	•	•	•	•	** ** *	** ** *	** ** *	** ** *
DIN rail mounting kit	Aluminium	PBDRK1	35	528	-	•	•	•	•	•	•	•	•	•	•	•	•	•		
External vent kit	Zinc coated steel	IPVK	130	130	-	•	•	•	•	•	•	•	•	•	•	•	•	•		
	316 stainless steel	IPVK/S	130	130	-		•	•	•	•	•	•	•	•	•	•	•	•		
Surround kit	Flush mount	PBFK0350	-	-	-	•														
		PBFK0750	-	-	-		•													
		PBFK0860	-	-	-				•											
		PBFK0970	-	-	-						•									
		PBFK1200	-	-	-								•							
		PBFK1400	-	-	-											•				
PBFK1600	-	-	-														•			

* 1 equipment mounting rail provided in standard enclosure
 ** 2 equipment mounting rails provided in standard enclosure

TECHNICAL DRAWINGS



Locks

Locks to suit special purpose enclosures

Standard Locks



Enclosure		
Universal DD ≤1600mm	DD020 – chromed steel with 7mm square steel insert	DD020/PS – black powdercoated lock with 7mm square stainless steel insert
Universal DD +1600mm	DD050 – lockable L handle keyed 92268	DD050 – lockable L handle keyed 92268
Incline SR	–	NI020/S – stainless steel lock with 7mm square stainless steel insert
Hedland PH	–	NI020/S – stainless steel lock with 7mm square stainless steel insert
Finucane FI	–	NI020/S – stainless steel lock with 7mm square stainless steel insert
Bowen Series	–	NI028S/S – stainless steel lock with 8mm square slotted stainless steel insert
Pilbara SP	SP/LCK – chromed steel padlockable swing handle with LockSock®	SP/LCK/S – stainless steel padlockable swing handle with LockSock®
Lambert LB	–	SP/LCK/S – stainless steel padlockable swing handle with LockSock®
Miner ME	NI020 – chromed steel with 7mm square steel insert	–
Universal PB	NI020 – chromed steel with 7mm square steel insert	NI020/PS – black powdercoated lock with 7mm square stainless steel insert

Lock Options for Special Purpose Enclosures

There are a number of lock options available that are suitable for use on special purpose enclosures. Contact your local sales representative to discuss your requirements.

Product	Description	Part Number	Standard Lock/Insert	Alternative insert	Keys		
					Lockable handles	Plastic, 3-way	Aluminium, 4-way
Turnbuckle	chromed steel	NI020	7mm square – steel	See page 5		SKU	SKZ
		DD020	7mm square – steel	See page 5		SKU	SKZ
	powdercoated	NI020/PS	7mm square – stainless steel	See page 5		SKU	SKZ
		DD020/PS	7mm square – stainless steel	See page 5		SKU	SKZ
	stainless steel	NI020/S	7mm square – stainless steel	See page 5		SKU	SKZ
		NI028S/S	8mm square slotted – stainless steel	See page 5			
Wing knob	lockable	NI030	Key code 92268			SK3	
		DD030	Key code 92268			SK3	
	non-lockable	NI111	–				
		DD111	–				
T-handle	lockable	NI040	Key code 92268			SK3	
		DD040	Key code 92268			SK3	
L-handle	lockable	NI050	Key code 92268			SK3	
		DD050	Key code 92268			SK3	
	padlockable – steel	NI052	–				
		DD052	–				
	padlockable – stainless steel	NI052/S	–				
		DD052/S	–				
Swing handle	padlockable – steel	SP/LCK	–				
	padlockable – stainless steel	SP/LCK/S	–				
LockSock®	plastic	SP/LCK/DC	To suit SP/LCK				
Dust cap	plastic	NI020/DC	To suit NI020 lock				

Locks

Locks to suit special purpose enclosures



Lock Inserts for Locks

The NI020 locks are available with an option lock insert for use on all special purpose enclosures. Contact your local sales engineer to discuss your requirements.

To suit lock style	Description	To suit lock	Standard Insert	3mm double bit pin		8mm square		8mm square slotted	8mm triangle	
				Steel	Stainless Steel	Steel	Stainless Steel	Stainless Steel	Steel	Stainless Steel
Turnbuckle	chromed steel	NI020 or DD020	7mm square – steel	LKINS3P		LKINS8S		LKINS8SS/S		LKIN8T
	powdercoated with SS insert	NI020/PS or DD020/PS	7mm square – stainless steel		LKINS3P/S		LKINS8S/S	LKINS8SS/S		LKINS8T/S
	stainless steel	NI020/S or DD020/PS	7mm square – stainless steel		LKINS3P/S		LKINS8S/S	LKINS8SS/S		LKINS8T/S
Key required – aluminium			SKZ	SKZ	SKZ	SK8	SK8	SK8	SKZ	SKZ
Key required – plastic			SKU	SKU	SKU				SKU	SKU

AUSTRALIA

Sales

T: 1300 Enclosures (1300 362 567)

F: 1300 796 599

E: sales@brenclosures.com.au

brenclosures.com.au

QUEENSLAND

Brisbane Manufacturing, Sales & Warehouse

51 Stradbroke Street

Heathwood QLD 4110

(PO Box 1151)

Browns Plains BC QLD 4118

T: +61 7 3714 1111

E: salesqld@brenclosures.com.au

NORTH QUEENSLAND

Townsville Sales & Warehouse

Unit 4 / 780 Ingham Road

Mount Louisa QLD 4814

(PO Box 7615)

Garbutt QLD 4814

T: +61 7 4727 1900

E: salestvl@brenclosures.com.au

NEW SOUTH WALES

NSW & ACT Sales & Warehouse

Unit 12/100 Belmore Road North

(PO Box 192)

Riverwood NSW 2210

T: +61 2 9915 9555

E: salesnsw@brenclosures.com.au

NEWCASTLE Distribution

109-111 Broadmeadow Road

Broadmeadow NSW 2292

T: +61 2 4961 4433

F: +61 2 4961 2498

VICTORIA

VIC & TAS Sales & Warehouse

50-52 Sunmore Close

Heatherton VIC 3202

T: +61 3 9552 0552

E: salesvic@brenclosures.com.au

TASMANIA Distribution

W P Martin Pty Ltd

85 Elizabeth Street

Launceston TAS 7250

T: +61 3 6331 5545

F: +61 3 6331 4256

SOUTH AUSTRALIA

SA & NT Manufacturing, Sales & Warehouse

505 Grand Junction Road

Wingfield SA 5013

T: +61 8 8417 6222

E: salessa@brenclosures.com.au

NORTHERN TERRITORY Distribution

Cnr Hidden Valley & Beaton Roads

Berrimah NT 0828

T: +61 8 8947 0870

F: +61 8 8947 0764

WESTERN AUSTRALIA

WA Sales Office & Warehouse

6 Montgomery Way

Malaga WA 6090

T: +61 8 6310 4777

E: saleswa@brenclosures.com.au

NEW ZEALAND

Sales

B&R Enclosures Limited

T: 0800 Enclosures (0800 362 567)

E: sales@brenclosures.co.nz

brenclosures.co.nz

AUCKLAND Distribution

Unit 6/103 Cryers Road

East Tamaki Auckland NZ 2013

T: +64 9 265 2097

F: +64 9 265 2437

E: sales@brenclosures.co.nz

CHRISTCHURCH Distribution

17 Washbournes Road

Wigram Christchurch NZ 8042

T: +64 3 348 0659

F: +64 3 348 4043

E: sales@brenclosures.co.nz

CHINA

Sales

B&R Enclosures (Suzhou) Co. Ltd

E: sales@brenclosures.com.cn

brenclosures.com.cn

SUZHOU

Suzhou Sales Office & Manufacturing

Building 45 Chuangtou Industrial Zone

SIP, Suzhou 215122

PEOPLE'S REPUBLIC OF CHINA

T: +86 512 8718 2139

F: +86 512 8718 2140

E: sales@brenclosures.com.cn

SOUTH EAST ASIA

Sales

B&R Enclosures SDN BHD

E: sales@brenclosures.com.au

brenclosures.com.au

MALAYSIA

Malaysia Sales Office & Manufacturing

No.38-1, Puchong Gateway Square,

Jalan Suria Puchong 4,

Pusat Perniagaan Suria Puchong

47110, Puchong, Selangor, Malaysia

T: +603 8958 3923 or +603 8959 3923

F: +603 8958 3223

E: sales@brenclosures.com.au

MIDDLE EAST

Sales

B&R Gulf

E: sales@brgulf.com.sa

brenclosures.com.sa

DAMMAM

Dammam Sales Office & Manufacturing

Factory No. 119, Modon Buildings

King Salman Road, Industrial Area 3

Dammam, Kingdom of Saudi Arabia

T +96 638 128 691 or +96 650 349 6592

E: sales@brgulf.com.sa