

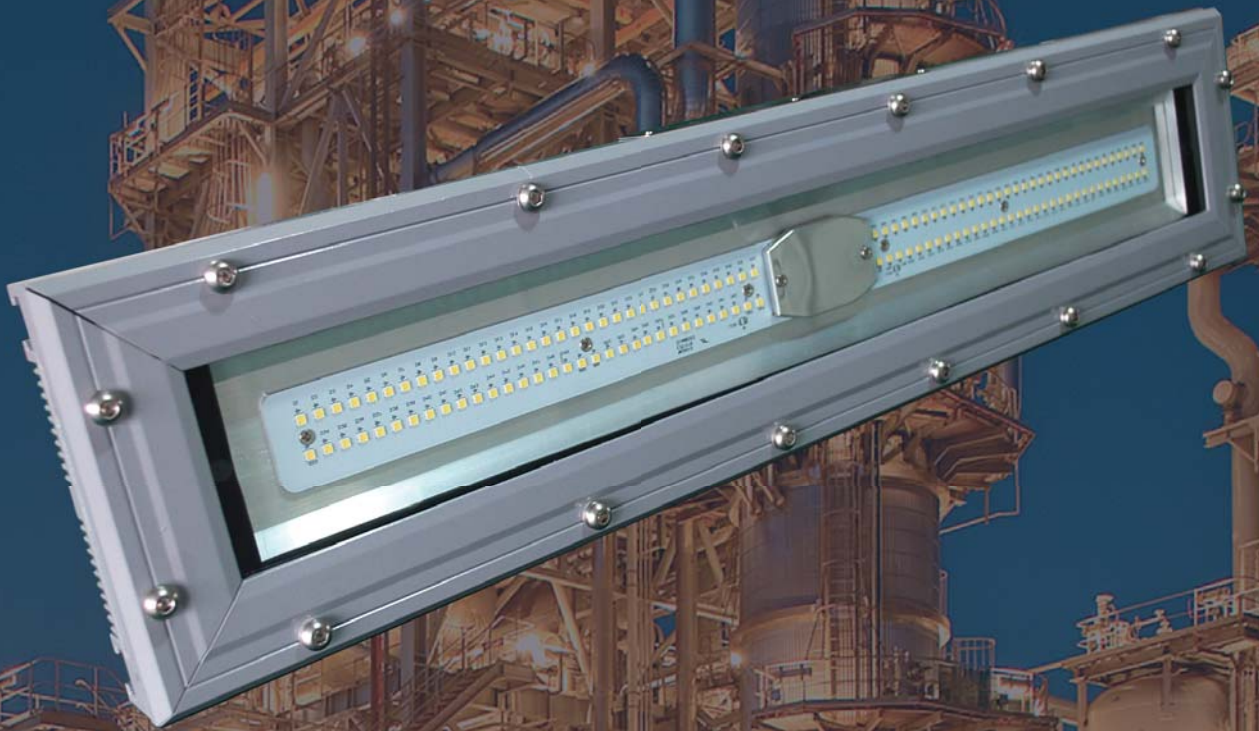


INDUSTRIAL

HAZARDOUS
AREAS

DATA ICT

RESIDENTIAL
COMMERCIAL



B&R Enclosures
SWORDFISH SERIES LED

brenclosures.com.au

Swordfish Series LED

Zones 1 & 2, 21 & 22



features & benefits

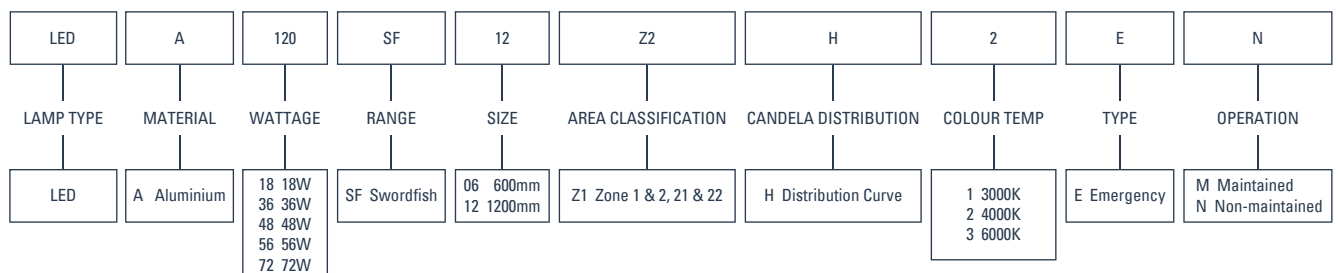
- Can be used as a spot light, flood light, area light, street light, high bay, low bay, depending on choice of optics and mounting.
- More light, less power. Reduce the number of luminaires or add more light.
- Micro optics reduces direct visual contact with the light source.
- Shock and vibration resistant.
- High strength aluminium alloy enclosure.
- Powdercoated RAL7040 Window Grey (standard) and Orange (emergency option).
- Suitable for salt water and corrosive environments.

applications

- Petrochemical, metallurgical, power generation and manufacturing industries.
- Oil refineries, offshore production, drilling platforms, fuel depots, chemical plants, including pesticides and fertilisers, paint manufacturing plants, spray booths, service stations, vehicle manufacturing, oxygen and acetylene production, airport hangars, above ground coal mining, sewerage treatment plants, pumping stations, distilleries.
- Grain silos, handling and storage facilities, flour mills, powdered milk production, food and manufacturing.

PROTECTION RATINGS	CERTIFICATION	AMBIENT TEMPERATURE	RATED VOLTAGE	RANGE
Ex d eb IIBT6 Gb Ex tb IIICT80°C Db	IECEX TUR 16.0028	-20°C ~ +55°C	AC 100-240V, 50/60Hz	WORDFISH Series

part number convention



Swordfish Series LED

Zones 1 & 2, 21 & 22

electrical parameters

Product type	Type	Rated input voltage (VAC)	Rated input current (A)	Voltage frequency (Hz)	Rated power (W)	PF
LEDA18	Standard	100~277	0.10 ~ 0.22	50/60	18	>0.98
	Emergency	100~277		50/60	5	
LEDA36	Standard	100~277	0.37 ~ 0.13	50/60	36	
LEDA48	Standard	100~277	0.49 ~ 0.18	50/60	48	
LEDA56	Standard	100~277	0.57 ~ 0.21	50/60	56	
	Emergency	100~277		50/60	5	
LEDA72	Standard	100~277	0.73 ~ 0.23	50/60	72	



CAN'T FIND WHAT YOU'RE LOOKING FOR?

Other CCT (K) options are available on request. Contact us today to discuss your requirements.

photometric parameters

Product type	Part Number	Type	Length	Rated power (W)	CCT (K)	CRI	Luminous flux (lm)
LEDA18	LEDA18SF06Z1H2	Standard	600	18	4000	70	1710
	LEDA18SF06Z1H2EM	Emergency	600	18	4000	70	710
LEDA36	LEDA36SF06Z1H2	Standard	600	36	4000	70	3410
	LEDA36SF12Z1H2	Standard	1130	36	4000	70	3410
LEDA48	LEDA48SF06Z1H2	Standard	600	48	4000	70	4550
	LEDA48SF12Z1H2	Standard	1130	48	4000	70	4550
LEDA56	LEDA56SF12Z1H2	Standard	1130	56	4000	70	5310
	LEDA56SF12Z1H2EM	Emergency	1130	56	4000	70	750
LEDA72	LEDA72SF12Z1H2	Standard	1130	72	4000	70	6820

PLEASE NOTE: Luminous flux for emergency luminaires are based on output when operating on battery power.

Battery Information (for emergency options)

Rated capacity (Ah)	Type	Lifespan	Backup (min)	Charging time (after full discharge)
2.8	Ni-Cd	300 cycles	180	120 hours

other parameters

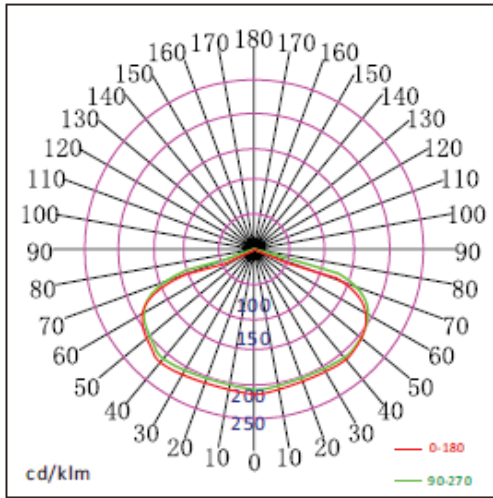
Product type	Size (mm)	Weight (kg)	IP code	Temp classification	Insulation	Cable Entry
LEDA18SF06	600x187x80	8.5	IP66	T6	I	2 x M25
LEDA36SF06						
LEDA48SF06						
LEDA36SF12	1130x187x80	14.2				
LEDA48SF12						
LEDA56SF12						
LEDA72SF12						

Swordfish Series LED

Zones 1 & 2, 21 & 22



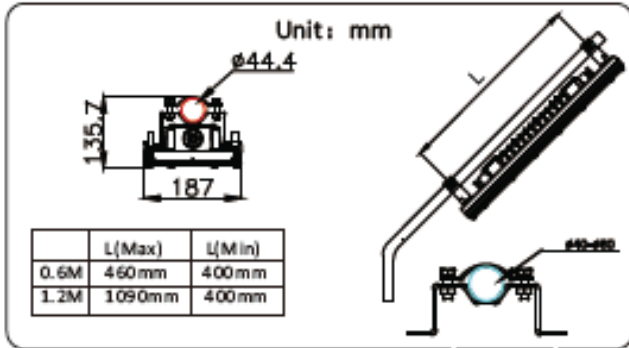
candela distribution



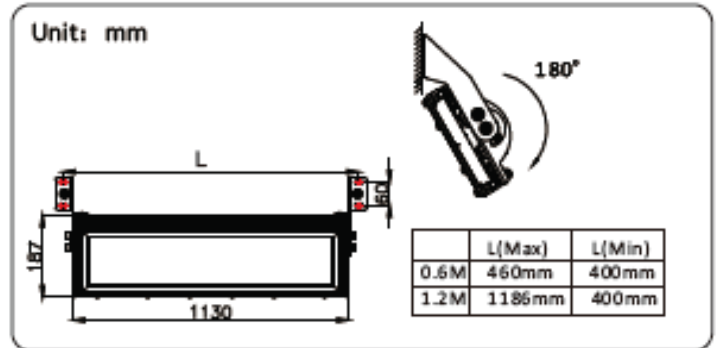
Swordfish Series LED

Zones 1 & 2, 21 & 22

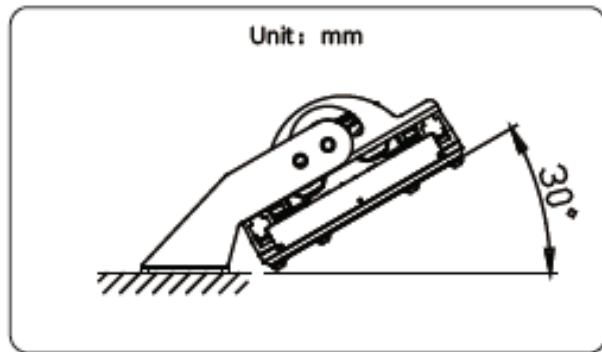
installation method



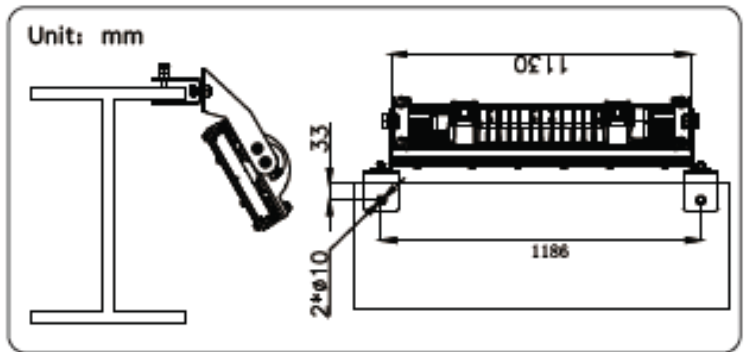
Pipe clamp



Wall mount

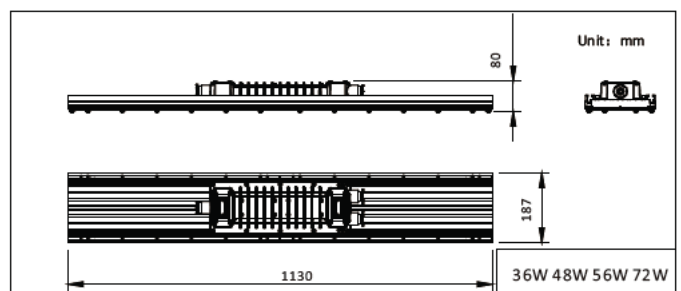
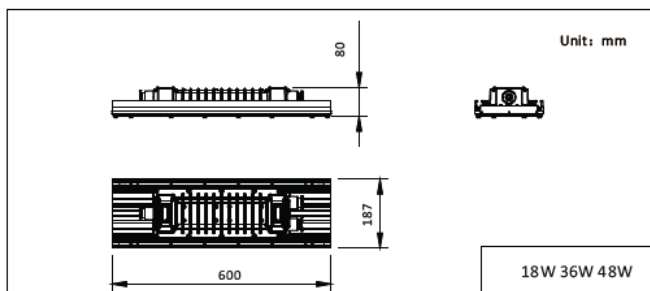


Stanchion mount



Clamp mount

dimensional drawings



Swordfish Series LED

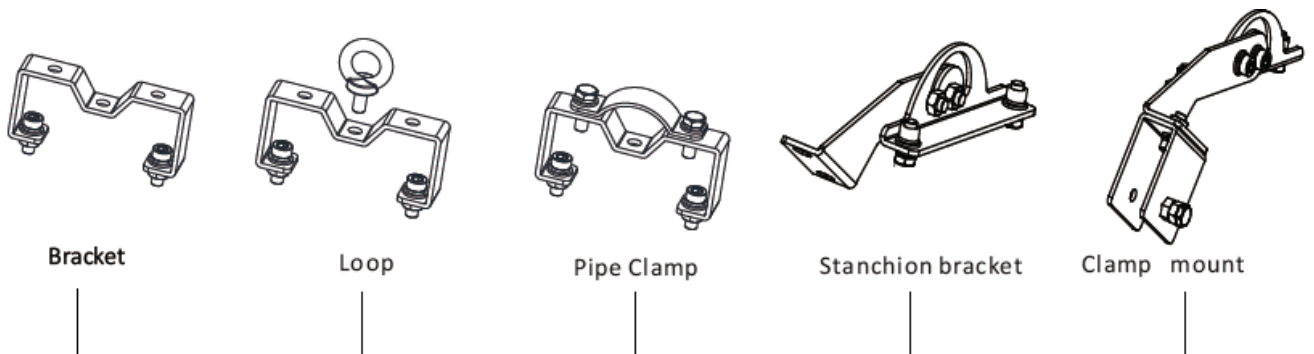
Zones 1 & 2, 21 & 22



optional parts

Part Number	Description	Material	Weight (kg)	Qty Required
ELABRSF	Ceiling mount bracket	Steel	0.4	1 set
ELABLOSF	Loop	Steel	0.6	1
ELABPCPSF	Pipe clamp	Steel	0.9	1
ELABSBTSF	Stanchion bracket	Steel	1.3	1
ELABSCMSF	Clamp mount	Steel	1.5	1

accessories



AUSTRALIA

Sales

T: 1300 Enclosures (1300 362 567)
F: 1300 796 599
E: sales@brenclosures.com.au
brenclosures.com.au

QUEENSLAND

Brisbane Manufacturing, Sales & Warehouse
51 Stradbroke Street
Heathwood QLD 4110
(PO Box 1151)
Browns Plains BC QLD 4118
T: +61 7 3714 1111
F: +61 7 3714 1091
E: salesqld@brenclosures.com.au

NORTH QUEENSLAND

Townsville Sales & Warehouse
25 Dalrymple Road
(PO Box 7615)
Garbutt QLD 4814
T: +61 7 4727 1900
F: +61 7 4755 0675
E: salestvl@brenclosures.com.au

NEW SOUTH WALES

NSW & ACT Sales & Warehouse
Unit 12/100 Belmore Road North
(PO Box 90)
Riverwood NSW 2210
T: +61 2 9915 9555
F: +61 2 9584 0055
E: salesnsw@brenclosures.com.au

NEWCASTLE Distribution

Ross Joice Agencies Pty Ltd
109-111 Broadmeadow Road
Broadmeadow NSW 2292
T: +61 2 4961 4433
F: +61 2 4961 2498

VICTORIA

VIC & TAS Sales & Warehouse
50-52 Sunmore Close
Heatherton VIC 3202
T: +61 3 9552 0552
F: +61 3 9551 8636
E: salesvic@brenclosures.com.au

TASMANIA Distribution

W P Martin Pty Ltd
85 Elizabeth Street
Launceston TAS 7250
T: +61 3 6331 5545
F: +61 3 6331 4256

SOUTH AUSTRALIA

SA & NT Manufacturing, Sales & Warehouse
505 Grand Junction Road
Wingfield SA 5013
T: +61 8 8417 6222
F: +61 8 8268 3675
E: salessa@brenclosures.com.au

NORTHERN TERRITORY Distribution

Jewell Distributors Pty Ltd
Cnr Hidden Valley & Beaton Roads
Berrimah NT 0828
T: +61 8 8947 0870
F: +61 8 8947 0764

WESTERN AUSTRALIA

WA Sales Office & Warehouse
6 Montgomery Way
Malaga WA 6090
T: +61 8 6310 4777
F: +61 8 9249 6776
E: saleswa@brenclosures.com.au

NEW ZEALAND

Sales

B&R Enclosures Limited
T: 0800 Enclosures (0800 362 567)
E: sales@brenclosures.co.nz
brenclosures.co.nz

AUCKLAND Distribution

Matchmaster
Unit 6/103 Cryers Road
East Tamaki Auckland NZ 2013
T: +64 9 265 2097
F: +64 9 265 2437
E: sales@brenclosures.co.nz

CHRISTCHURCH Distribution

Matchmaster
17 Washbournes Road
Wigram Christchurch NZ 8042
T: +64 3 348 0659
F: +64 3 348 4043
E: sales@brenclosures.co.nz

CHINA

B&R Enclosures (Suzhou) Co. Ltd
E: sales@brenclosures.com.cn
brenclosures.com.cn

SUZHOU

Manufacturing, Sales & Warehouse
South Block, Building 23 Chuangtong
Industrial Zone Heshun Road, SIP,
Suzhou 215122
PEOPLE'S REPUBLIC OF CHINA
T: +86 512 8718 2139
F: +86 512 8718 2140
E: sales@brenclosures.com.cn

SOUTH EAST ASIA

Sales

Manufacturing, Sales & Warehouse
B&R Enclosures SDN BHD
No.38-1, Puchong Gateway Square,
Jalan Suria Puchong 4
Pusat Perniagaan Suria Puchong
47110, Puchong, Selangor, Malaysia
M: +601 2350 2568
T: +603 8958 3923
F: +603 8958 3223
E: sales@brenclosures.com.my
brenclosures.com.my

MALAYSIA Distribution

MTW Controls SDN BHD
42 Puchong Gateway Square
Jalan Suria Puchong 4
47110 Puchong Darul Ehsan
Kuala Lumpur, MALAYSIA
M: +601 227 7637 3
E: ckwoon@mtwcontrols.com.my

INDONESIA Distribution (Office)

P.T Reitama Engineering
Jl. Margonda Raya No. 139
Depok, INDONESIA 16413
T: +62 21 7783 7078 (Hunting)
F: +62 21 7783 7079
M: +62 81 1979 7772
E: sales@reitama-engineering.com

MIDDLE EAST

Sales

Manufacturing, Sales & Warehouse
B&R Gulf
M: +966 503 496 592
T: +966 381 2869 1 or +966 5034 9659 2
E: sales@brgulf.com
brgulf.com

OMAN Distribution

Global Corp Enterprices LLC
PO Box 1524
Al Khuwair, OMAN
M: +968 9929 4323
E: rakesh@globalcorpoman.com

QATAR Distribution

Petrogulf WLL
Doha, QATAR
M: +974 7478 6481
T: +974 4435 0151, +974 4435 152 or +974 4435 0948
F: +974 4435 0140
E: info@petrogulf.org