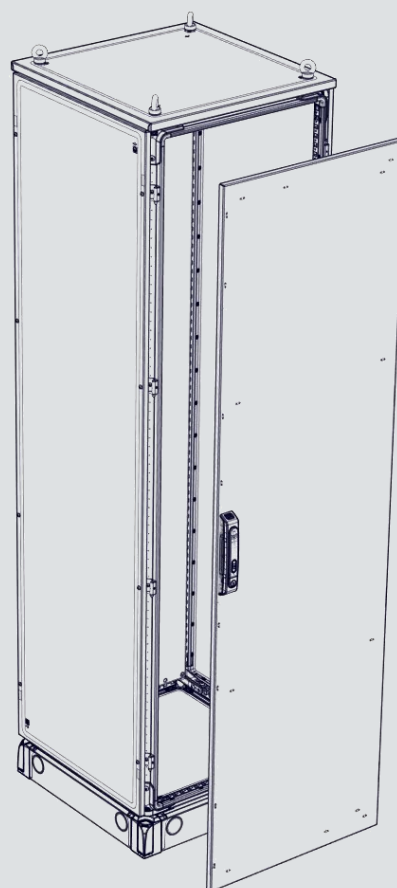


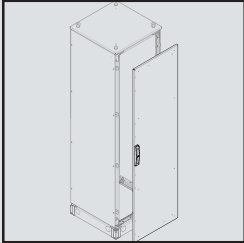
iLINQ LQD & LQDD : Doors

Assembly Manual

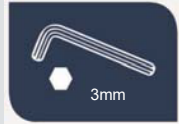


Quick Reference

Single door operation	3-1-1
Single door hinge removal	3-1-3
Single door reversal	3-2-1
Double door operation	3-4-1
Remove handle face	3-5-1
Refit handle face	3-6-1



iLINQ | Doors



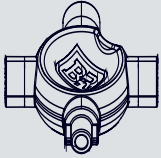
3mm



x 2



Tools required:



DAR10164

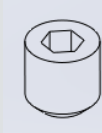


DAD10027



x4

DCJ10029



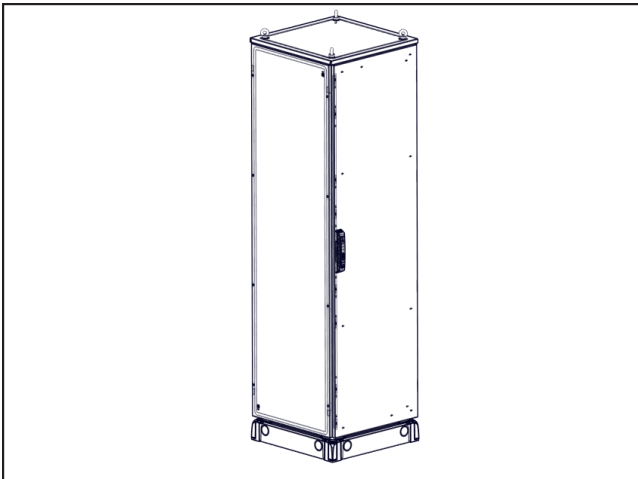
x4

DRA10074

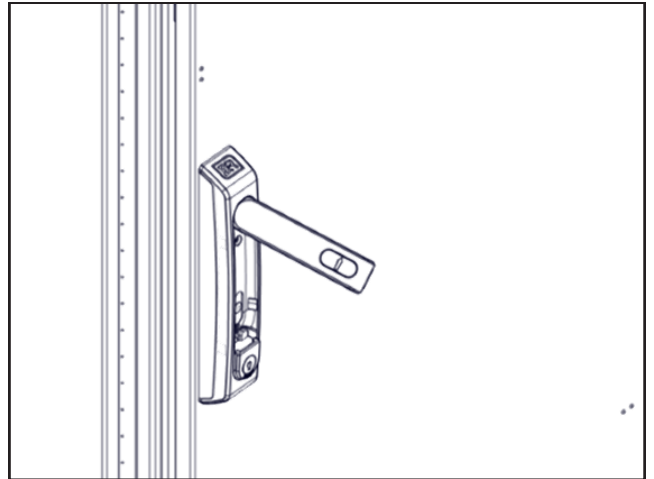
Referenced components:

Single door operation & removal

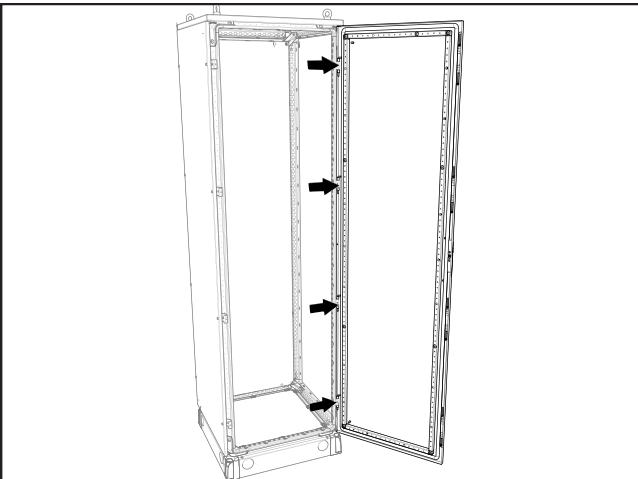
3-1-1



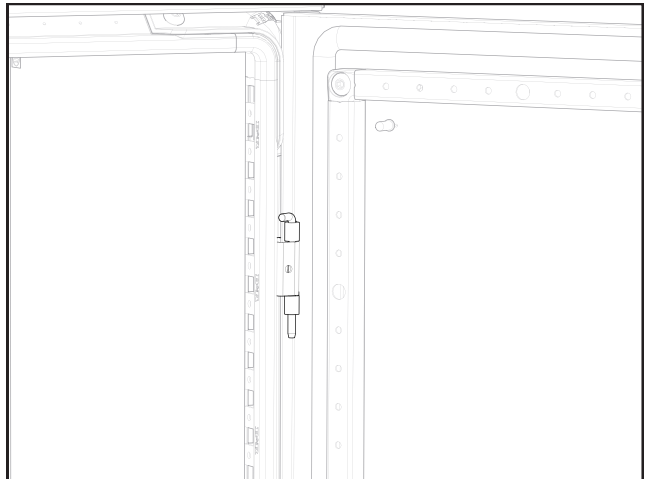
3-1-2



3-1-3



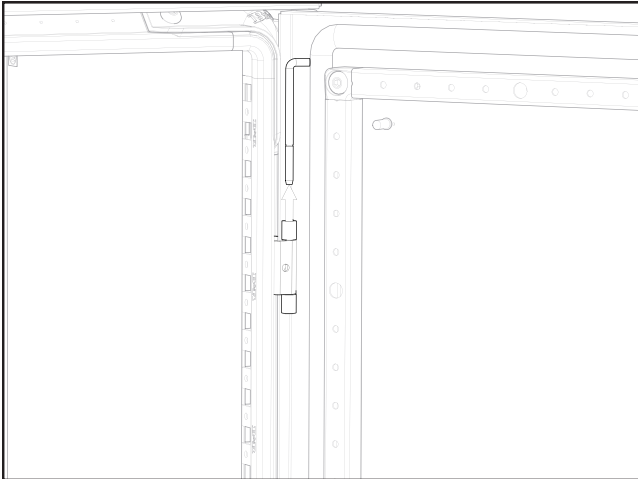
3-1-4



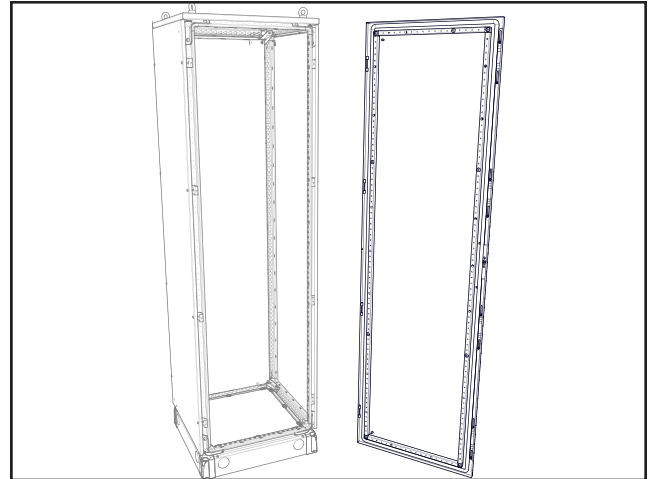
Single door operation & removal



3-1-5

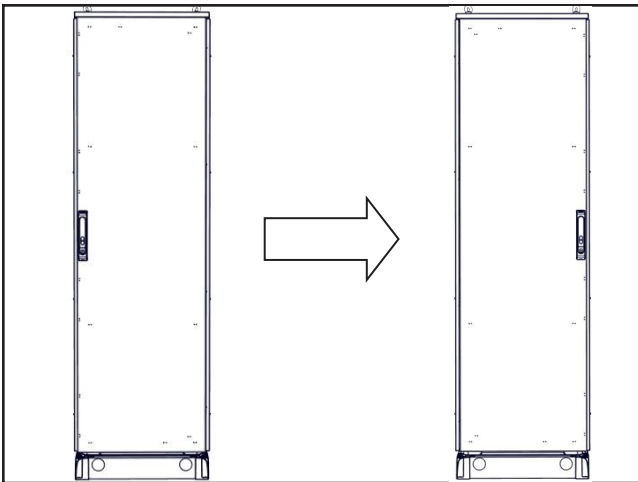


3-1-6

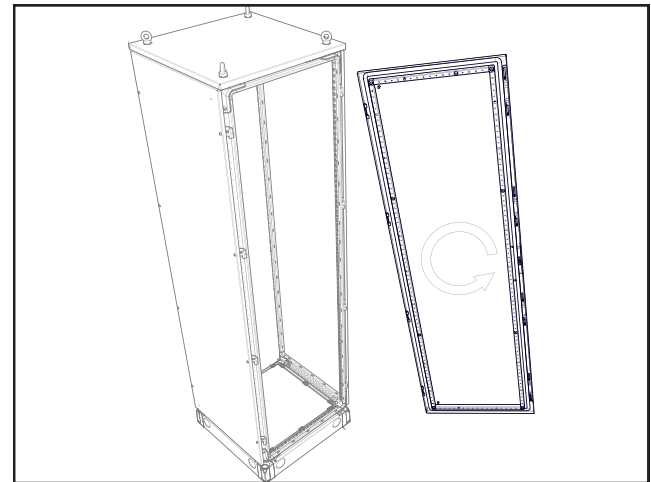


Single door reversal

3-2-1



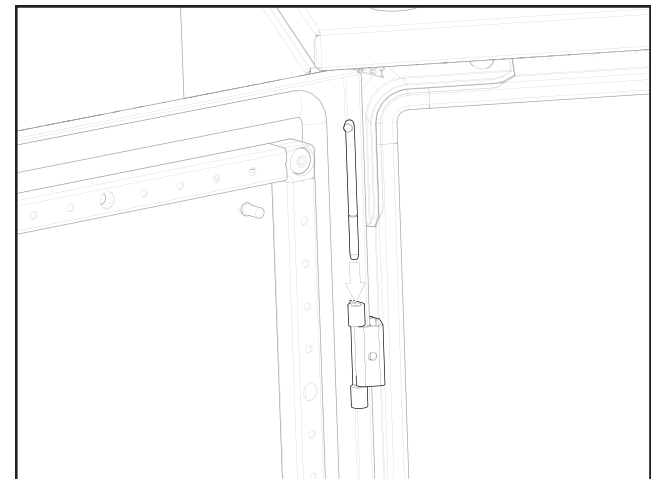
3-2-2



3-2-3



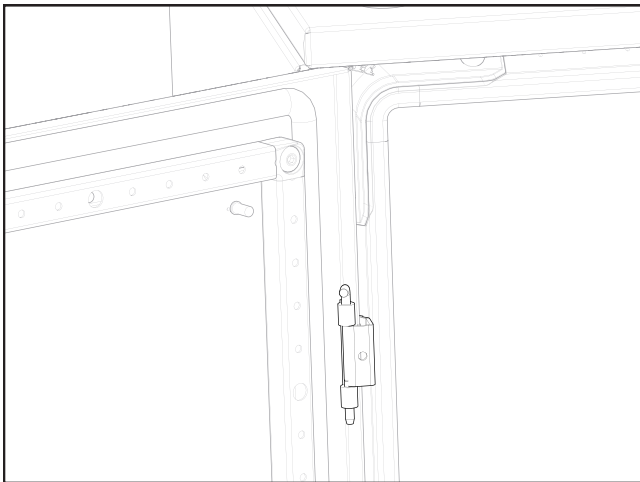
3-2-4



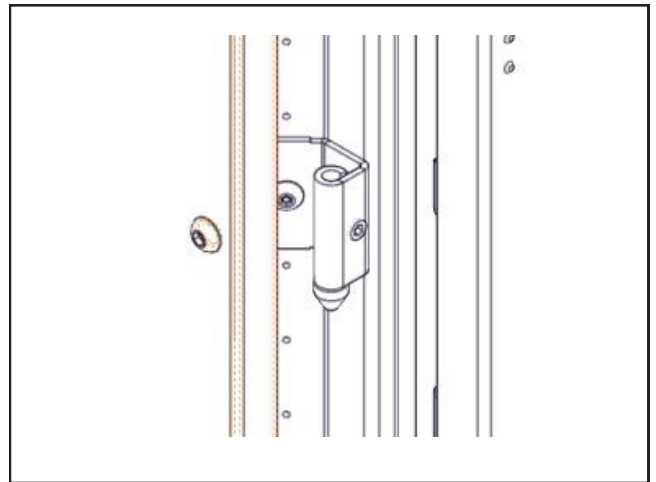
Single door operation & reversal



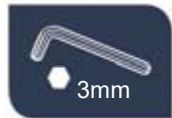
3-2-5



3-2-6

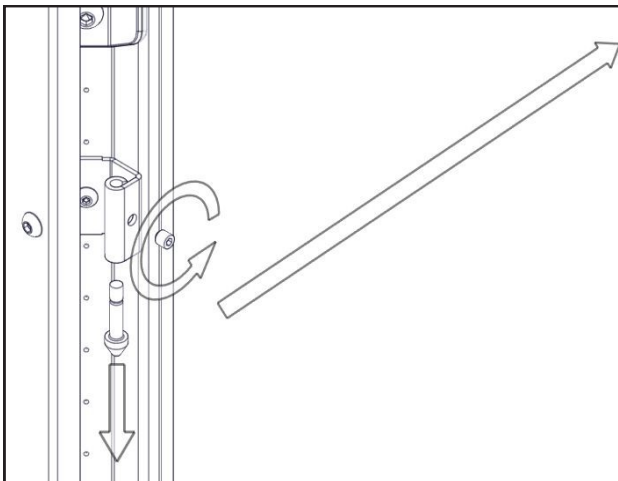


3-2-7



3mm

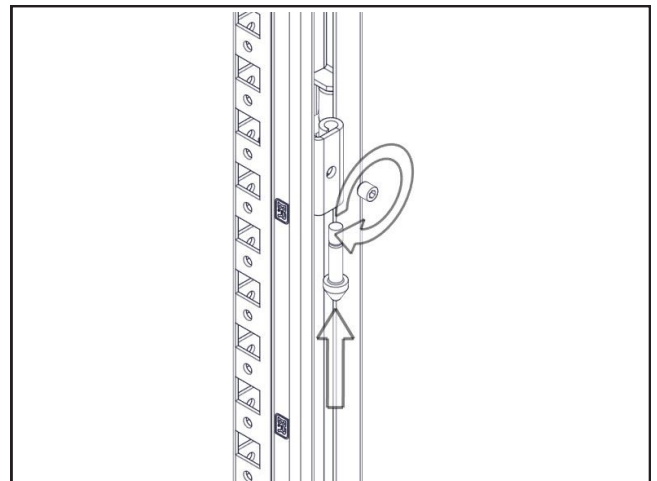
4mmmm



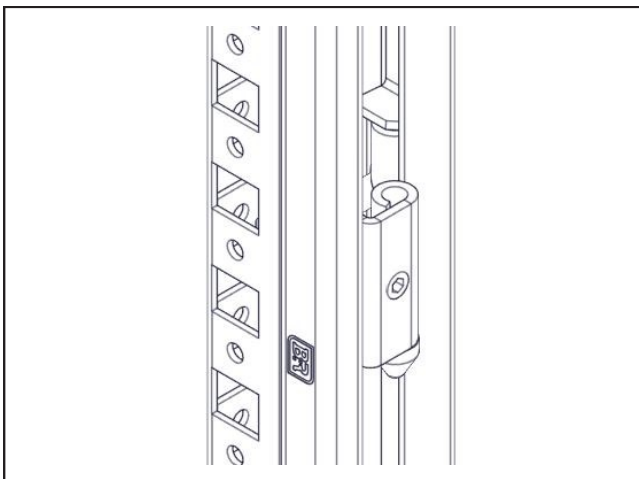
3-2-8



3mm



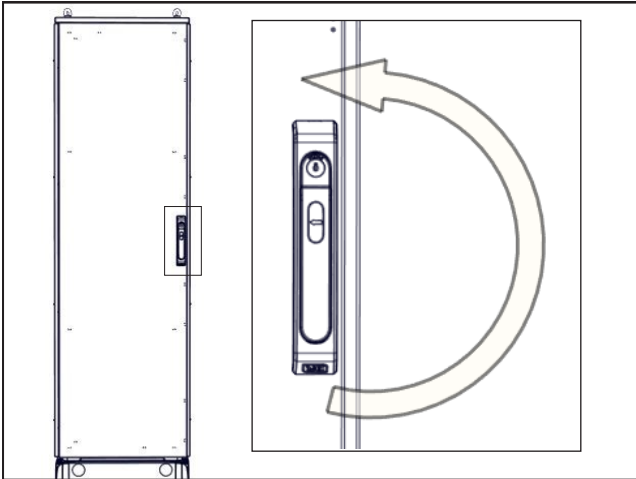
3-2-9



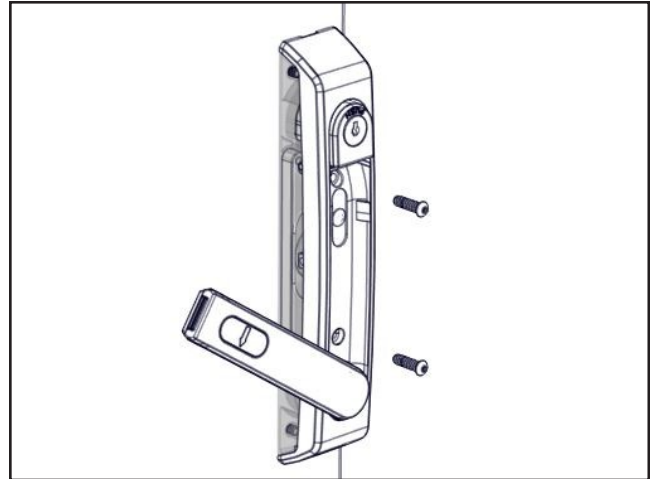
Single door operation & reversal



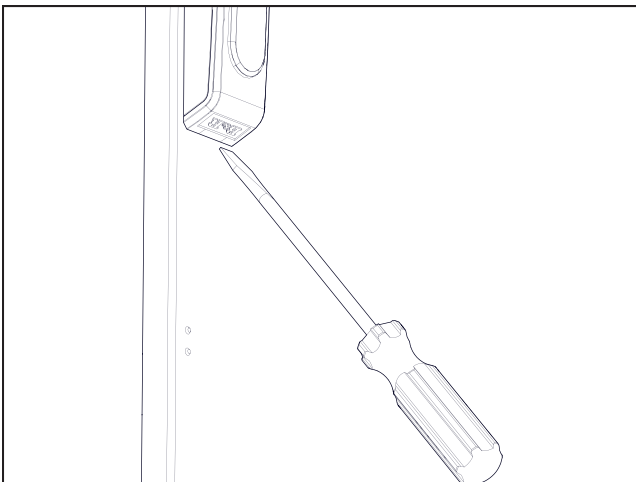
3-3-1



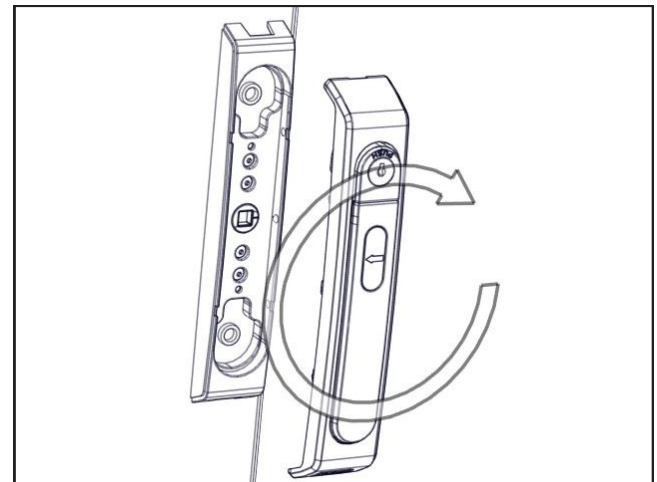
3-3-2



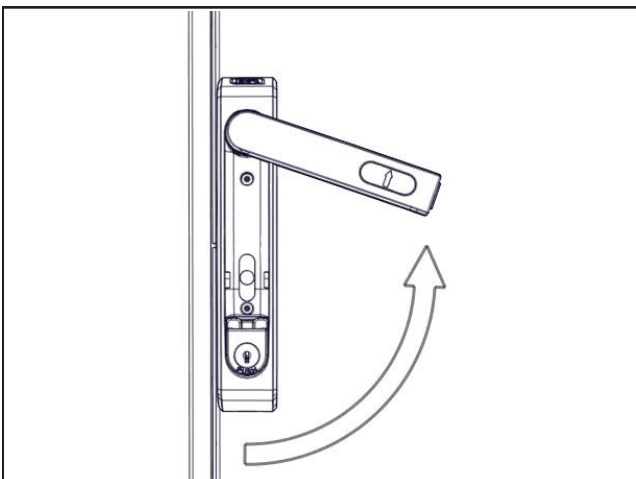
3-3-3



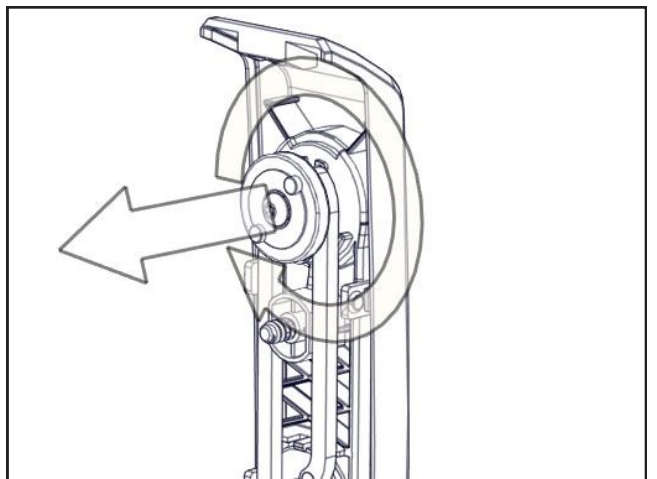
3-3-4



3-3-5



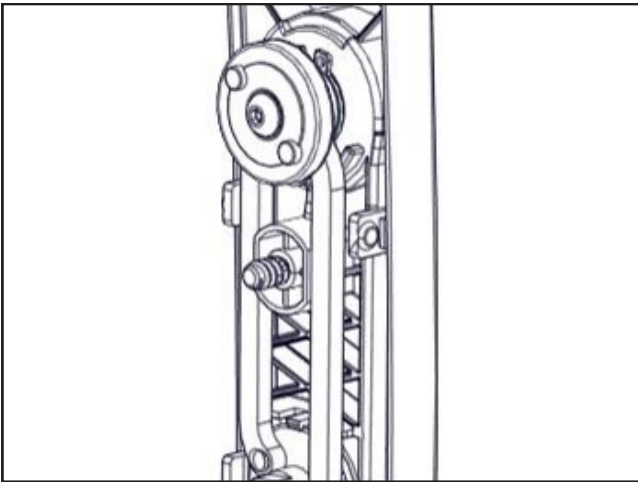
3-3-6



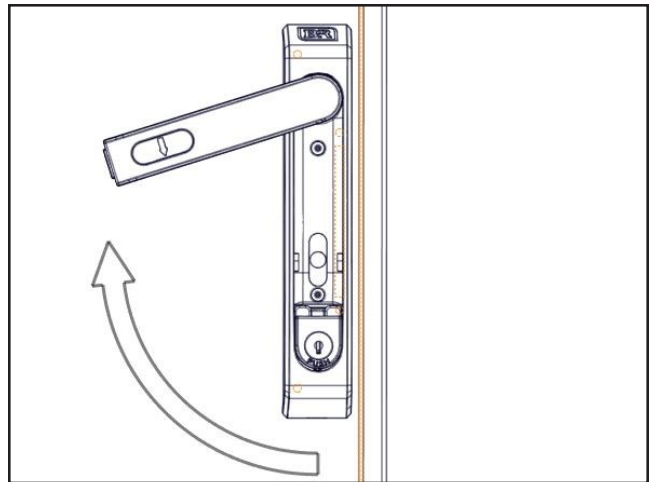
Single door operation & reversal



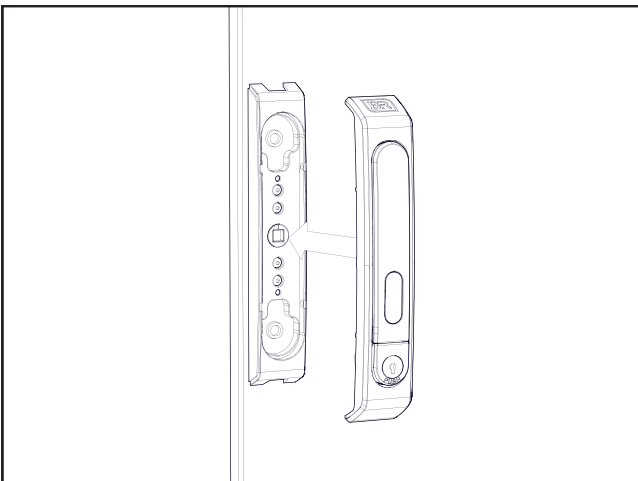
3-3-7



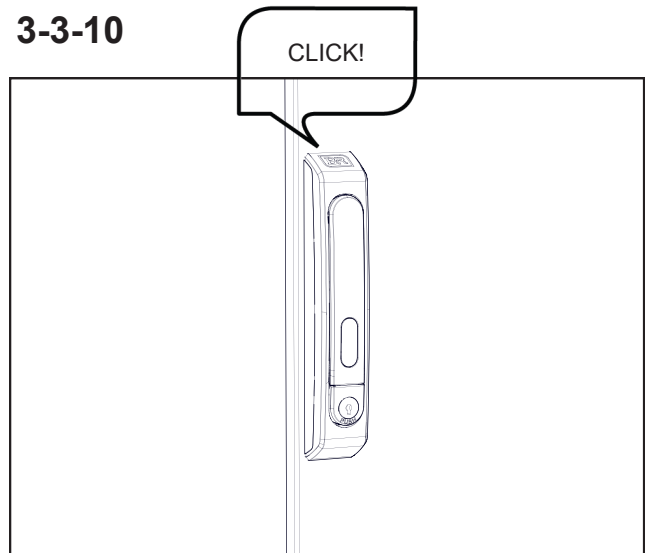
3-3-8



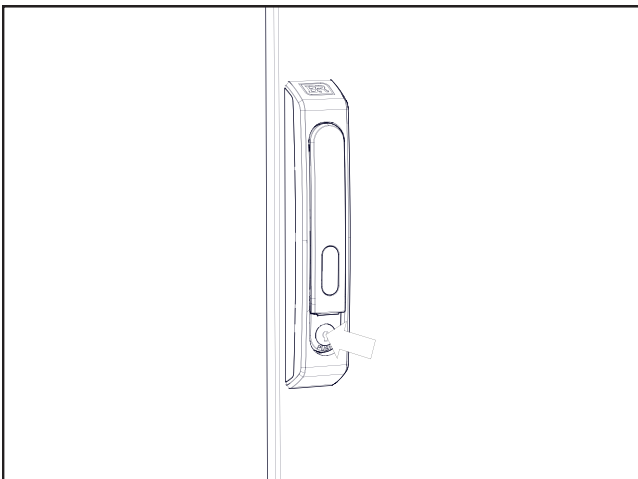
3-3-9



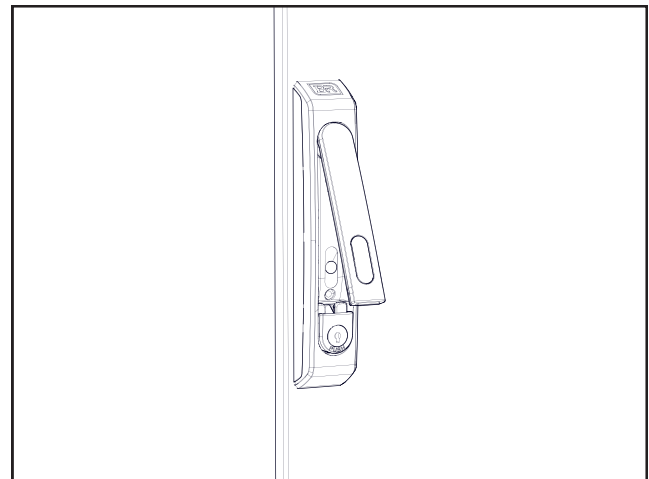
3-3-10



3-3-11

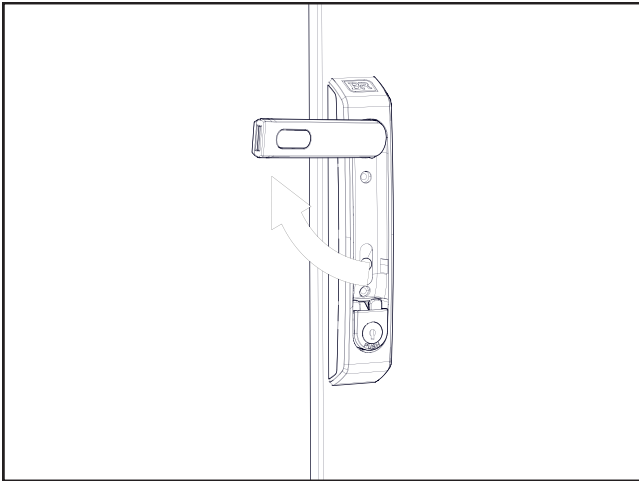


3-3-12

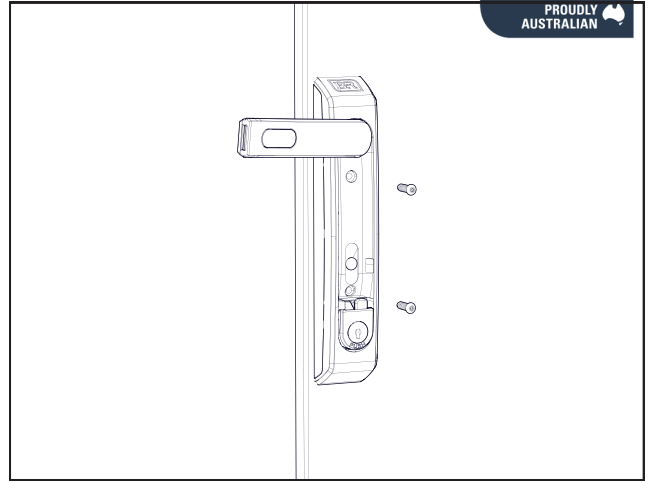


Single door operation & reversal

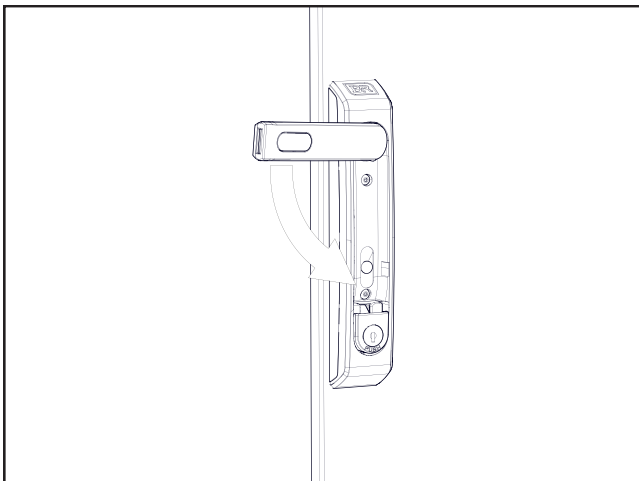
3-3-13



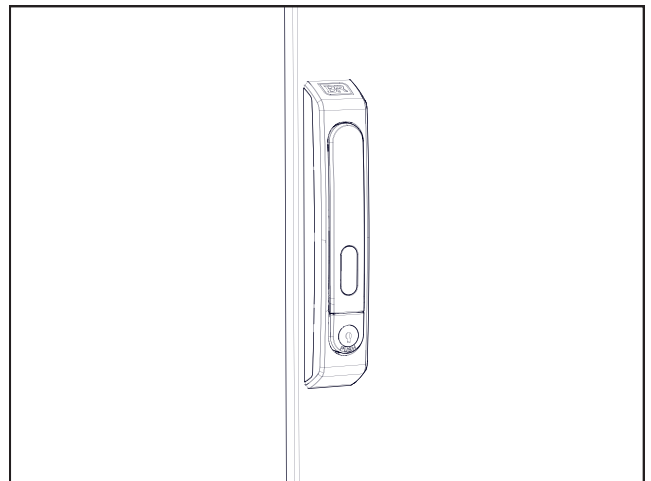
3-3-14



3-3-15



3-3-16



3-3-17



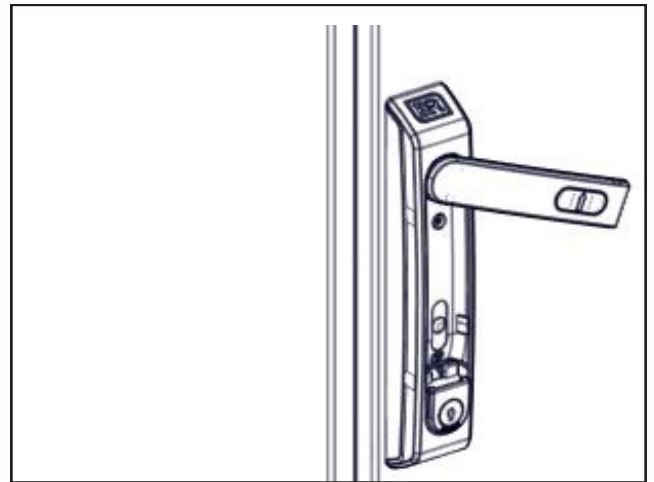
Double door operation



3-4-1



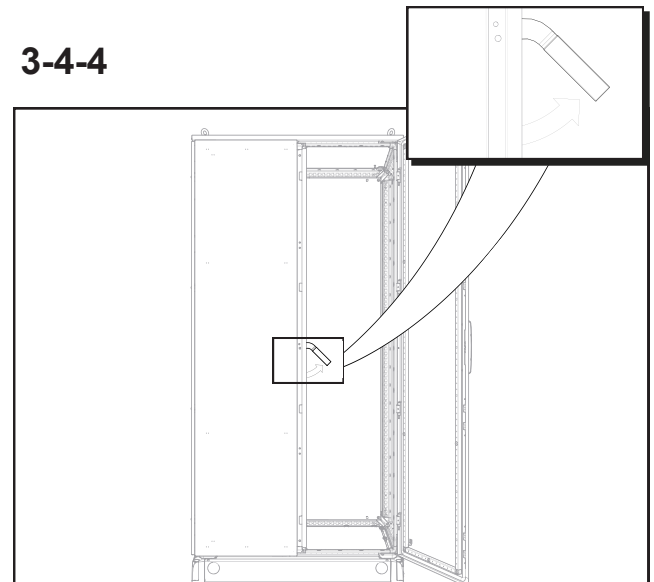
3-4-2



3-4-3



3-4-4



3-4-5



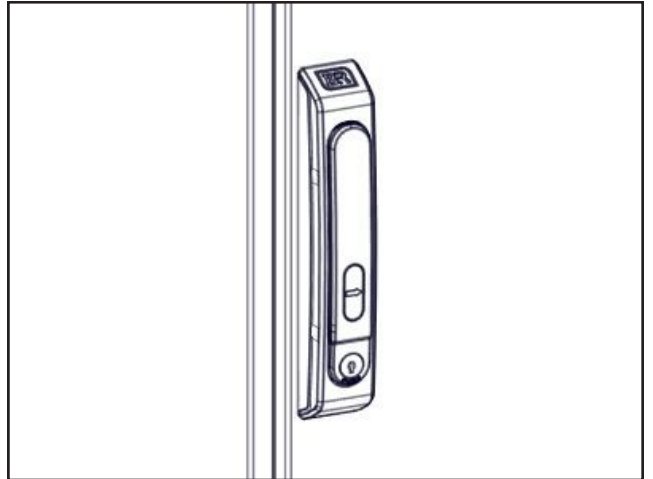
Removing of handle face (Swing Handle handle)



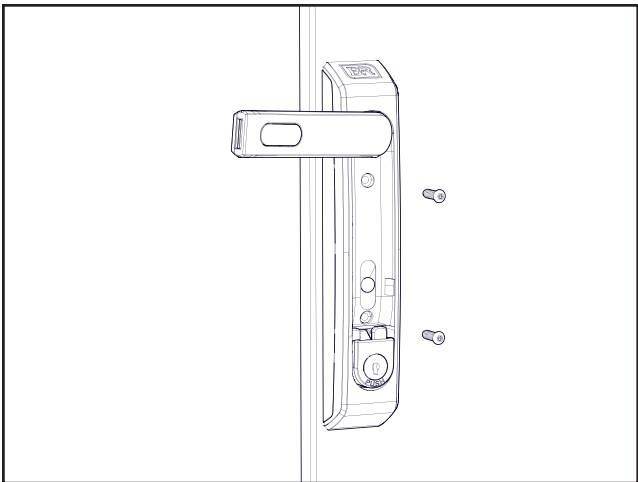
3-5-1



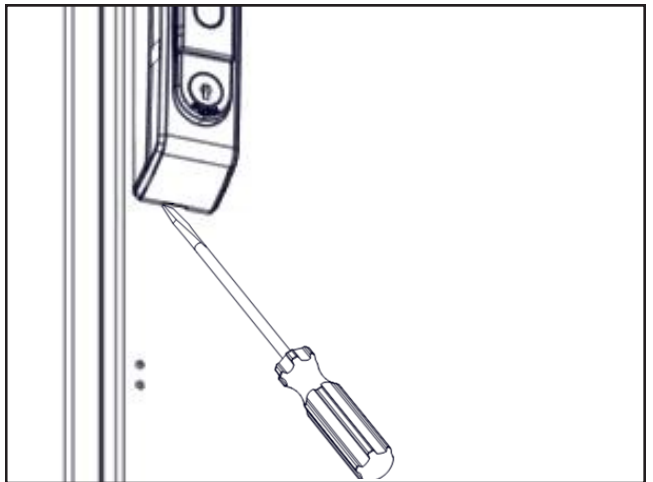
3-5-2



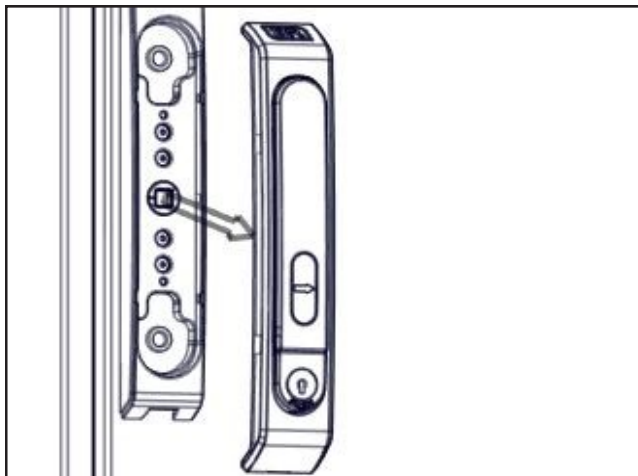
3-5-3



3-5-4

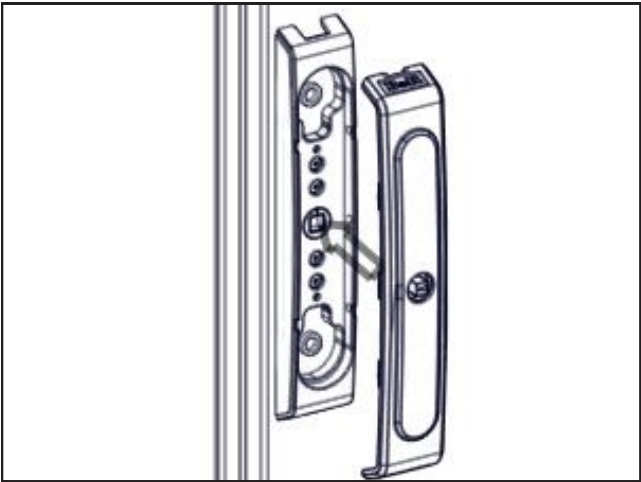


3-5-5



Refitting handle face (Quarter Turn)

3-6-1



3-6-2

