

TGXNCT250/CW

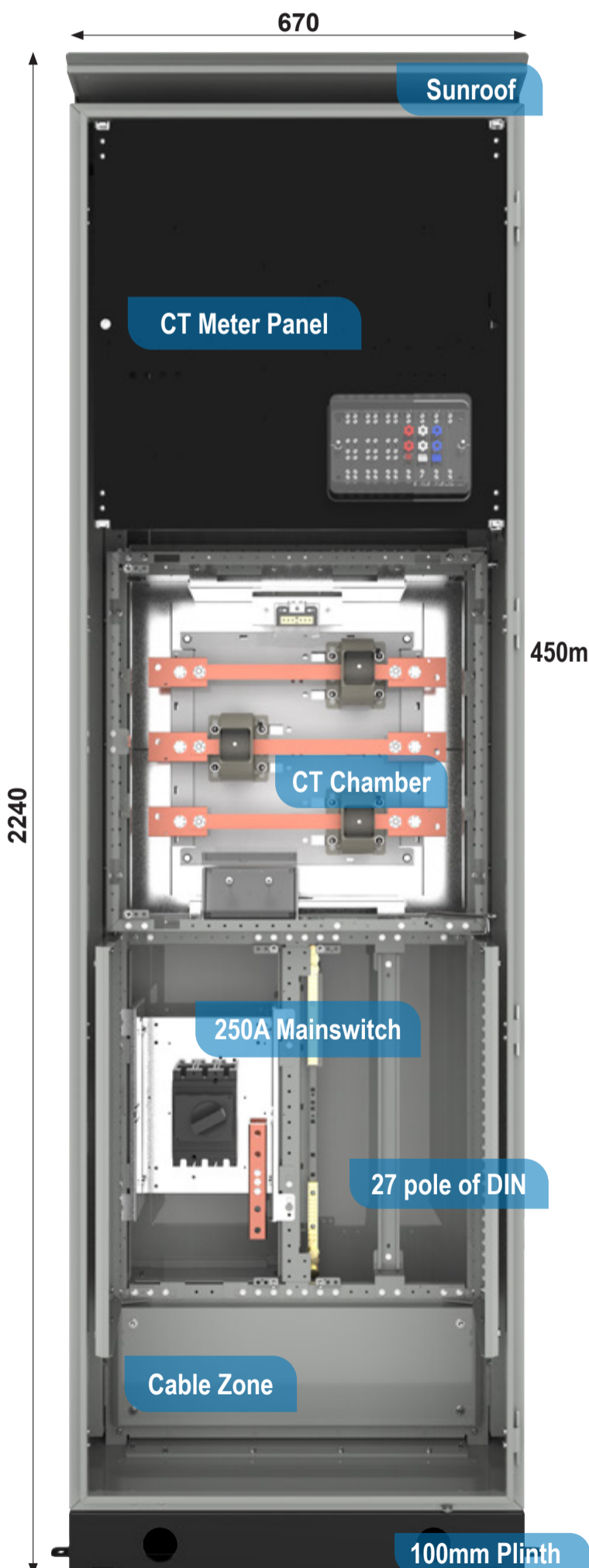
Wired & Assembled



This product is from the **INFINITY 3G** modular switchboard range and is designed for multi-residential and commercial applications.

Construction Notes

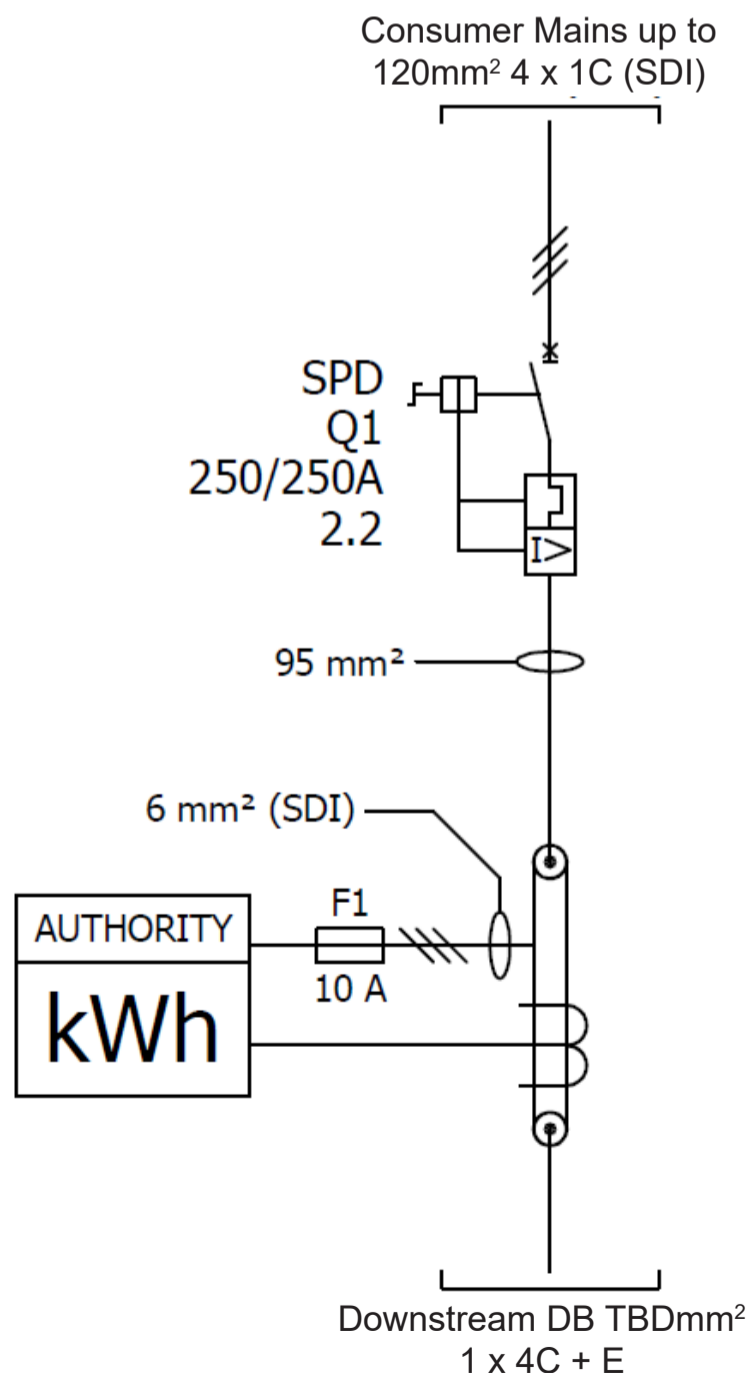
- The Electrical design offered in compliance with the NSW Service & Installation Rules, AS/NZS3000, AS/NZS 61439 and any other relevant standard.
- Exceeds requirements for all supply authorities.
- Electricity distributor low voltage protection - fuse
- Conditional fault level - 25kA
- Maximum demand - 250A
- Material - 1.6mm Zinc coated steel (welded construction)
- Finish - Powdercoat RAL 7035 (light grey)
- Ingress protection rating - IP66
- Segregation - 2B (3Bih SPD)
- Doors - 3 point locking w/ door stays
- Locking - Recessed padlockable & keyable swing handle (10mm shank)
- Cable entry - bottom
- Cable exit - bottom
- Supplied as - Assembled & wired by B&R enclosures



TGXNCT250/CW - Component Schedule - Schneider Electric

Reference	Mark	Description	Quantity	Manufacturer	Manufacturer NO.
DVS10025	F1	HRC Fuse 10 Amp offset tags	3	Eaton	NSD10
ZZS-LV429337	Q1	Direct standard rotary handle NSX 100-250	1	Schneider Electric	LV429337
ZZS-LV429517	Q1	1 3P Long terminal shield NSX 100-250	2	Schneider Electric	LV429517
ZZS-LV431140	Q1	3P3T Micro 2.2 250A NSX250B 25kA	1	Schneider Electric	LV431140

Single-Line Drawing



For more information phone 1300 Enclosures (1300 362 567) or visit brenclosures.com.au