



B&R Enclosures
Universal NI - Zinc Coated Steel

brenclosures.com.au

Universal NI – Zinc Coated Steel

General Purpose Enclosures



- Built for industrial and demanding environments.
- Threaded sockets on the rear of the enclosure to allow mounting feet attachment without compromising the IP rating.
- 120° door opening for ease of access to internal systems.
- Region D wind rated to AS1170.2-2002: Structural design actions – Wind actions.
- Conformity, Approvals:
 - CE Mark
 - Lloyds Register #06/10007 (E2)
- Manufactured from 1.2/1.6mm zinc coated steel.
- Powdercoated Pebble Grey RAL7032 or X15 Orange.

Comes standard with:

- 2mm steel mounting pan powdercoated white
- Gland plate (200mm deep and above)
- Chromed steel lock with 7mm square steel insert (NI020)
- Door rails
- Earth strap kit



ORDERING GUIDE

Part Number		Dimensions (mm)								No. of Fixing Points (Suits M8 fixings)	Material Thickness (mm)	Weight (kg)	Locks
		External			Internal	Mounting Pan		Gland Opening					
Standard	X15 Orange	Height (A)	Width (B)	Depth (C)	Usable Depth (D)*	Height (E)	Width (F)	Width (G)	Depth (H)				
NI03021	NI03021/RO	300	200	150	125	250	150	–	–	4	1.2	3.9	1
NI03031	NI03031/RO	300	300	150	125	250	250	–	–	4	1.2	5.0	1
NI03041	NI03041/RO	300	400	150	125	250	350	–	–	4	1.2	6.5	1
NI04032•	NI04032/RO•	400	300	200	175	350	250	250	120	4	1.6	8.0	1
NI03042	NI03042/RO	300	400	200	175	250	350	250	120	4	1.6	7.5	1
NI04042•	NI04042/RO•	400	400	200	175	350	350	250	120	4	1.6	12.0	1
NI05042•	NI05042/RO•	500	400	200	175	450	350	250	120	4	1.6	14.0	1
NI06042•	NI06042/RO•	600	400	200	175	550	350	250	120	4	1.6	17.0	1
NI05052•	NI05052/RO•	500	500	200	175	450	450	440	120	4	1.6	17.0	1
NI04062•	NI04062/RO•	400	600	200	175	350	550	440	120	4	1.6	16.0	1
NI06062•	NI06062/RO•	600	600	200	175	550	550	440	120	4	1.6	23.0	1
NI08062•	NI08062/RO•	800	600	200	175	750	550	440	120	6	1.6	30.0	2
NI10062•	NI10062/RO•	1000	600	200	175	950	550	440	120	6	1.6	37.0	2
NI04043•	NI04043/RO•	400	400	300	275	350	350	250	120	4	1.6	14.0	1
NI06043•	NI06043/RO•	600	400	300	275	550	350	250	120	4	1.6	20.0	1
NI04063•	NI04063/RO•	400	600	300	275	350	550	440	120	4	1.6	19.0	1
NI06063•	NI06063/RO•	600	600	300	275	550	550	440	120	4	1.6	27.0	1
NI08063•	NI08063/RO•	800	600	300	275	750	550	440	120	6	1.6	34.0	2
NI10063•	NI10063/RO•	1000	600	300	275	950	550	440	120	6	1.6	41.0	2
NI08083^	NI08083/RO^	800	800	300	275	750	750	440	120	6	1.6	43.0	2
NI10083^	NI10083/RO^	1000	800	300	275	950	750	440	120	6	1.6	52.0	2
NI12083^	NI12083/RO^	1200	800	300	275	1150	750	440	120	6	1.6	61.0	2

* Mounting pan to inside of door

• Includes vertical door rails

^ Includes horizontal and vertical door rails

Universal NI – Zinc Coated Steel

General Purpose Enclosures

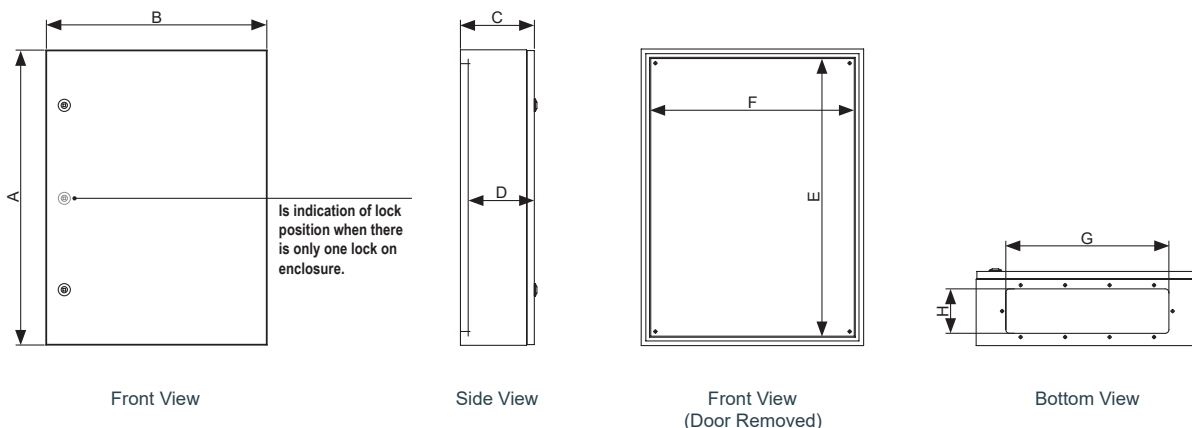


ACCESSORIES

Product	Description	Part Number	Dimensions (mm)																									
			Height	Width	Depth	N103021 (RO)	N103031 (RO)	N103041 (RO)	N104032 (RO)	N103042 (RO)	N104042 (RO)	N105042 (RO)	N106042 (RO)	N105052 (RO)	N104062 (RO)	N106062 (RO)	N108062 (RO)	N110062 (RO)	N104043 (RO)	N106043 (RO)	N104063 (RO)	N108063 (RO)	N110063 (RO)	N108083 (RO)	N110083 (RO)	N112083 (RO)		
Rainhoods	Zinc coated steel	NIRH021	30	200	175	*																						
		NIRH031	30	300	175		*																					
		NIRH032	30	300	215			*																				
		NIRH041	30	400	175			*																				
		NIRH042	30	400	215				*	*	*	*																
		NIRH043	30	400	315					*	*	*								*	*							
		NIRH052	30	500	215							*																
		NIRH062	30	600	215								*	*	*	*												
		NIRH063	30	600	315									*	*	*	*					*	*	*	*			
		NIRH082	30	800	215																							
NIRH083	30	800	315																				*	*	*			
External vent kits – Zinc coated steel	Pebble Grey RAL7032	IPVK	130	130	–	^	^	^	^	*	*	*	*	*	*	*	*	*	*	*	*	*	*	*	*	*	*	
		IPVK16	260	260	–	^	^	^	^	*	*	*	*	*	*	*	*	*	*	*	*	*	*	*	*	*	*	
	X15 Orange	IPVK/RO	130	130	–	^	^	^	^	*	*	*	*	*	*	*	*	*	*	*	*	*	*	*	*	*	*	
		IPVK16/RO	260	260	–	^	^	^	^	*	*	*	*	*	*	*	*	*	*	*	*	*	*	*	*	*	*	
Wall mounting brackets – 316 stainless steel	Set of 4	MEB/S	–	–	–	*	*	*	*	*	*	*	*	*	*	*	*	*	*	*	*	*	*	*	*	*		
Mounting flange kit – 316 stainless steel	MF2/S	75	200	–	*																							
	MF3/S	75	300	–		*	*																					
	MF4/S	75	400	–			*	*	*	*																		
	MF5/S	75	500	–				*	*	*	*																	
	MF6/S	75	600	–					*	*	*	*	*	*	*													
	MF8/S	75	800	–							*	*	*	*	*	*	*	*	*	*	*	*	*	*	*	*		
	Mounting Pan -	NIMP0302	250	150	–	*																						
NIMP0303		250	250	–		*																						
NIMP0403		350	250	–			*	*																				
NIMP0304		250	350	–			*	*	*																			
NIMP0404		350	350	–				*	*	*																		
NIMP0504		450	350	–					*	*																		
NIMP0604		550	350	–						*	*																	
NIMP0505		450	450	–						*	*																	
NIMP0406		350	550	–							*	*																
NIMP0606		550	550	–								*	*	*	*													
NIMP0806		750	550	–									*	*	*	*												
NIMP1006		950	550	–										*	*	*	*											
NIMP0808		750	750	–											*	*	*	*										
NIMP1008	950	750	–												*	*	*	*										
NIMP1208	1150	750	–													*	*	*	*									
Gland plates	6mm aluminium	SRAGP6/2	290	160	–			*	*	*	*																	
		SRAGP6/3	480	160	–				*	*	*	*	*	*	*	*	*	*	*	*	*	*	*	*	*	*	*	
	3mm brass	SRBGP3/2	290	160	–			*	*	*	*																	
		SRBGP3/3	480	160	–				*	*	*	*	*	*	*	*	*	*	*	*	*	*	*	*	*	*	*	
	6mm brass	SRBGP6/2	290	160	–			*	*	*	*																	
		SRBGP6/3	480	160	–				*	*	*	*	*	*	*	*	*	*	*	*	*	*	*	*	*	*	*	
Replacement Hinge	Kit	NI/H	–	–	–	*	*	*	*	*	*	*	*	*	*	*	*	*	*	*	*	*	*	*	*	*		
Touch Up Paint (300g)	Pebble Grey RAL7032	TUP/P20	–	–	–	*	*	*	*	*	*	*	*	*	*	*	*	*	*	*	*	*	*	*	*	*		
	X15 Orange	TUP/P24	–	–	–	*	*	*	*	*	*	*	*	*	*	*	*	*	*	*	*	*	*	*	*	*		

^ Fits door only

TECHNICAL DRAWINGS



Locks

To suit Forte FR and Universal NI enclosures

STANDARD LOCKS

Enclosure		
Universal NI	NI020 – chromed steel with 7mm square insert.	NI020/S – stainless steel lock with 7mm square stainless steel insert.

LOCK OPTIONS

There are a number of additional lock options available that are suitable for use on Universal NI enclosures. Contact your local B&R sales representative to discuss your requirements.

Product	Description	Part Number	Standard Lock/Insert	Alternative insert	Keys	
					Lockable handles	Aluminium, 4-way
Turnbuckle	chromed steel	NI020	7mm square – steel	See below		SKZ
	powdercoated	NI020/PS	7mm square – stainless steel	See below		SKZ
	stainless steel	NI020/S	7mm square – stainless steel	See below		SKZ
		NI028/S	8mm square slotted – stainless steel	See below		SK8
Wing knob	lockable	NI030	Key code 92268		SK3	
	non-lockable	NI111	–			
T-handle	lockable	NI040	Key code 92268		SK3	
L-handle	lockable	NI050	Key code 92268		SK3	
	padlockable – steel	NI052	–			
	padlockable – stainless steel	NI052/S	–			
Dust cap	plastic	NI020/DC	to suit NI020 lock			



LOCK INSERTS FOR NI020 LOCKS

The NI020 locks are available with an optional lock insert. Contact your local B&R sales representative to discuss your requirements.

To suit lock style	Description	To suit lock	Standard Insert	3mm double bit pin		8mm square		8mm triangle		
				Steel	Stainless Steel	Steel	Stainless Steel	Stainless Steel	Steel	Stainless Steel
Turnbuckle	chromed steel	NI020	7mm square – steel	LKINS3P		LKINS8S		LKINS8SS/S	LKIN8T	
	powdercoated with SS insert	NI020/PS	7mm square – stainless steel		LKINS3P/S		LKINS8S/S	LKINS8SS/S	LKINS8T/S	
	stainless steel	NI020/S	7mm square – stainless steel		LKINS3P/S		LKINS8S/S	LKINS8SS/S	LKINS8T/S	
Key required – zinc			SKZ	SKZ	SKZ	SK8	SK8	SK8	SKZ	SKZ

AUSTRALIA

Sales

T: 1300 Enclosures (1300 362 567)
E: sales@brencllosures.com.au
brencllosures.com.au

QUEENSLAND

Brisbane Manufacturing, Sales & Warehouse
51 Stradbroke Street
Heathwood QLD 4110
(PO Box 1151)
Browns Plains BC QLD 4118
T: +61 7 3714 1111
E: salesqld@brencllosures.com.au

NORTH QUEENSLAND

Townsville Sales & Warehouse
Unit 4 / 780 Ingham Road
Mount Louisa QLD 4814
(PO Box 7615)
Garbutt QLD 4814
T: +61 7 4727 1900
E: salestvl@brencllosures.com.au

NEW SOUTH WALES

NSW & ACT Sales & Warehouse
7 Metters Place Wetherill Park
NSW 2164
T: +61 2 9915 9555
E: salesnsw@brencllosures.com.au

NEWCASTLE Distribution

109-111 Broadmeadow Road
Broadmeadow NSW 2292
T: +61 2 4961 4433

VICTORIA

VIC & TAS Sales & Warehouse
Unit 1, 60-62 Abbott Road
Hallam VIC 3803
T: +61 3 9552 0552
E: salesvic@brencllosures.com.au

TASMANIA Distribution

W P Martin Pty Ltd
85 Elizabeth Street
Launceston TAS 7250
T: +61 3 6331 5545

SOUTH AUSTRALIA

SA & NT Manufacturing, Sales & Warehouse
505 Grand Junction Road
Wingfield SA 5013
T: +61 8 8417 6222
E: salessa@brencllosures.com.au

NORTHERN TERRITORY Distribution

Cnr Hidden Valley & Beaton Roads
Berrimah NT 0828
T: +61 8 8947 0870

WESTERN AUSTRALIA

WA Sales Office & Warehouse
6 Montgomery Way
Malaga WA 6090
T: +61 8 6310 4777
E: saleswa@brencllosures.com.au

NEW ZEALAND

Sales

B&R Enclosures Limited
T: 0800 Enclosures (0800 362 567)
E: sales@brencllosures.co.nz
brencllosures.co.nz

AUCKLAND Distribution

Unit 6/103 Cryers Road
East Tamaki Auckland NZ 2013
T: +64 9 265 2097
E: sales@brencllosures.co.nz

CHRISTCHURCH Distribution

17 Washbournes Road
Wigram Christchurch NZ 8042
T: +64 3 348 0659
E: sales@brencllosures.co.nz

CHINA

Sales

B&R Enclosures (Suzhou) Co. Ltd
E: sales@brencllosures.cn
brencllosures.cn

SUZHOU

Suzhou Sales Office & Manufacturing
Building 45 Chuangtuo Industrial Zone
SIP, Suzhou 215122
PEOPLE'S REPUBLIC OF CHINA
T: +86 512 8718 2139
E: sales@brencllosures.com.cn

MIDDLE EAST

Sales

B&R Gulf
M: +966 503 496 592
T: +966 381 2869 1 or +966 5034 9659 2
E: sales@brgulf.com.sa
brgulf.com

DAMMAM Manufacturing, Sales & Warehouse

B&R Gulf
Factory No. 12, Modon Buildings,
King Salman Road, Industrial Area 3,
Dammam, Saudi Arabia
M: +966 503 496 592
T: +966 381 2869 1 or +966 5034 9659 2
E: sales@brgulf.com.sa
brgulf.com