

Polynova PC

Enclosure & Distribution System



- Suitable for housing terminations and electrical components for low voltage control systems and distribution.
- Excellent resistance to mechanical impact and aggressive chemicals.
- Raised mounting points prevent build up of materials behind enclosure body.
- Capable of withstanding temperatures -30°C to 120°C.
- Conformity, Approvals:
 - UL94, V1 rating
 - IEC695-2-1: 960° Glow Wire Test
 - Halogen free (LSZH)
- Manufactured from UV stabilised glass reinforced polyester (opaque lid) and polycarbonate (transparent lid).
- Light Grey RAL7035.

Comes standard with:

- Insulated mounting pan
- Thermoplastic screws



ORDERING GUIDE

Dimensions (mm)

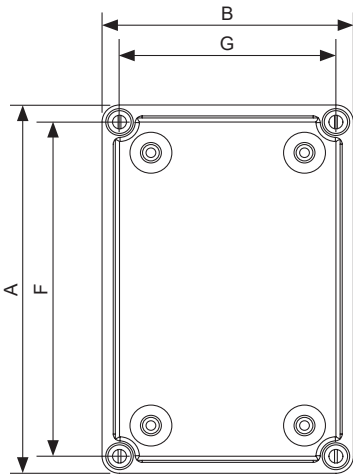
Part Number		External				Internal	Mounting Centres		Weight (kg)
Opaque	Transparent	Height (A)	Width (B)	Depth (C)	Cover Depth (D)	Usable Depth (E)	Height (F)	Width (G)	
PC131313*	PC131313T*	135	135	130	20	110	115	115	0.6
PC181313*	PC181313T*	180	135	130	20	110	160	115	0.8
PC181813*	PC181813T*	180	180	130	20	110	160	160	1.0
PC271313*	PC271313T*	270	135	130	20	110	253	115	1.1
PC271817	PC271817T	270	180	170	42	150	245	155	1.7
PC272717	PC272717T	270	270	170	42	150	245	245	2.3
PC361817	PC361817T	360	180	170	42	150	335	155	2.2
PC362717	PC362717T	360	270	170	42	150	335	245	2.9
PC363617	PC363617T	360	360	170	42	150	335	335	3.6
PC542717	PC542717T	540	270	170	42	150	515	245	4.1
PC543617	PC543617T	540	360	170	42	150	515	335	5.5
PC545417	PC545417T	540	540	170	42	150	515	515	8.0
PC362720	PC362720T	360	270	205	72	180	335	245	3.2
PC363620	PC363620T	360	360	205	72	180	335	335	3.9
PC542720	PC542720T	540	270	205	72	180	515	245	5.0
PC543620	PC543620T	540	360	205	72	180	515	335	6.0
PC545420	PC545420T	540	540	205	72	180	515	515	8.5
PC723620	PC723620T	720	360	205	72	180	695	335	8.0
PC725420	PC725420T	720	540	205	72	180	695	515	11.0

* Opaque parts material is polyamide.

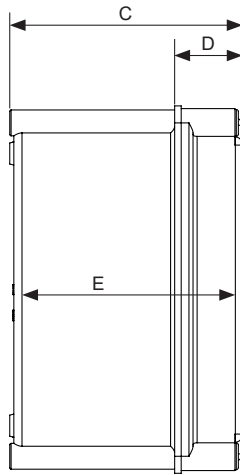
ACCESSORIES

Product	Description	Part Number	Dimensions (mm)			PC-1313(T)	PC-1813(T)	PC-1818(T)	PC-2713(T)	PC-2718(T)	PC-2727(T)	PC-3618(T)	PC-3627(T)	PC-3636(T)	PC-5427(T)	PC-5436(T)	PC-5447(T)	PC-362720(T)	PC-363620(T)	PC-542720(T)	PC-543620(T)	PC-54420(T)	PC-723620(T)	PC-725420(T)
			Height	Width	Depth																			
Mounting pan	Insulated	PCBB1813	142	97	3		•																	
		PCBB1818	142	142	3			•																
		PCBB2718	220	130	3					•														
		PCBB2727	220	220	3						•													
		PCBB2736	220	310	3								•						•					
		PCBB3636	310	310	3									•						•				
		PCBB5427	490	220	3											•					•			
		PCBB5436	490	310	3												•					•		
		PCBB5454	490	490	3													•					•	
		PCBB7254	670	490	3																			•
Rigid hinge	Pair	PCEH	-	-	-	•	•	•	•	•	•	•	•	•	•	•	•	•	•	•	•	•	•	
Internal hinge	Each	PCIH	-	-	-	•	•	•	•	•	•	•	•	•	•	•	•	•	•	•	•	•	•	
Screws	Large, slotted	PCSD18	-	-	-	•	•	•	•	•	•	•	•	•	•	•	•	•	•	•	•	•	•	
Vent valve kit	Pair	PCVV	-	-	-	•	•	•	•	•	•	•	•	•	•	•	•	•	•	•	•	•	•	

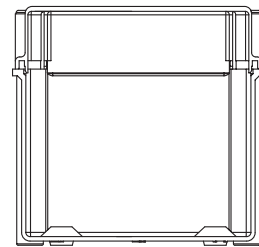
TECHNICAL DRAWINGS



Front View



Side View



Side Section with Internals