

Plug & Socket Outlets

Zones 1 & 2, 21 & 22



- Provides electrical connection within a hazardous area for mobile or portable equipment.
- Designed with a switch on the inside, the Ex d e connection prevents sparking and has a high impact resistance.
- Protective cover for high degree of protection.
- Minimal force required when inserting or extracting.
- Protective cover for wall sockets are fitted with facility for padlocks
- Self-cleaning inserting sleeve and contact joints.
- Manufactured from
 - Body - SMC anti-static material
 - Surface finish - textured matt black

Comes standard with:

- Cable entries
- Internal brass gland plate
- Internal switch 16A>32A
- External switch for 63A<125A.



PROTECTION RATINGS

Ex d, Ex e, Ex t

CERTIFICATION

IECEX CQM 10.0013X16A)
 IECEX CQM 09.0009U (32A)
 IECEX CQM 10.0002X (63A & 125A)
 IECEX CQM 10.0014U (Panel)

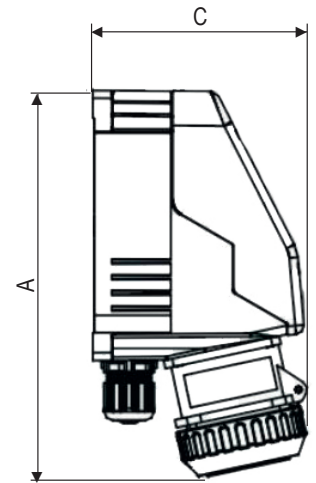
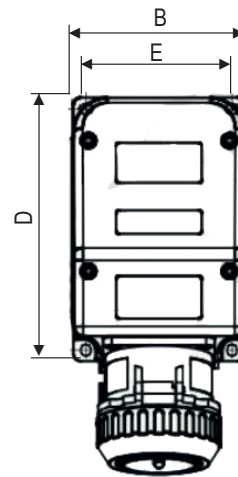
(Refer to certificate for detailed markings, ambient temperature and IP ratings)

AMBIENT TEMPERATURE

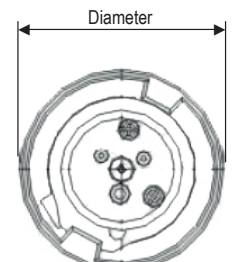
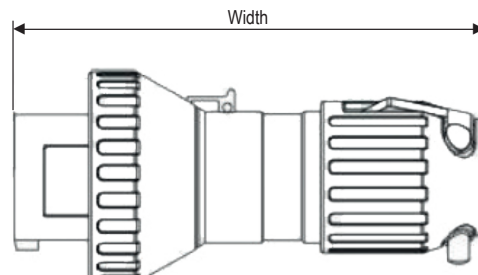
T6 -40°C ~ Ta +45°C
 T5 -40°C ~ + Ta 55°C

ORDERING GUIDE AND TECHNICAL DRAWINGS

Type	Dimensions (mm)			Fixing Dimensions (mm)	
	Height (A)	Width (B)	Depth (C)	Height (D)	Width (E)
16Amp – 3 Poles	223	103	122	142	86
16Amp – 4 Poles	241	123	147	163	106
32Amp – 4 Poles	294	133	162	198	118
63Amp – 4 Poles	472	201	248	352	181
125Amp – 4 Poles	537	249	274	411	228



Type	Width (mm)	Diameter (mm)
16Amp – 2 Poles	163	73
16Amp – 3 Poles	163	73
16Amp – 4 Poles	187	77
32Amp – 4 Poles	237	96
63Amp – 4 Poles	262	111
125Amp – 4 Poles	298	121



Plug & Socket Outlets

Zones 1 & 2, 21 & 22



ORDERING GUIDE - PLUGS

Part Number	Cable Outside Ø	Amps	Volts	Colour	Pins	
SOPG016A024VSP [▲]			24V		2P	
SOPG016A042V2P [▲]			42V		2P	
SOPG016A110V2PE [▲]			110V		1PN+E	
SOPG016A240V2PE			220V		1PN+E	
SOPG016A240V3PE	0.5-18.5 mm	16A	220V		3P+E	
SOPG016A415V3PE [▲]			400V		3P+E	
SOPG016A490V3PE [▲]			480V		3P+E	
SOPG016A690V3PE [▲]			615V		3P+E	
SOPG016A415V4PE			400V		3PN+E	
SOPG032A240V3PE [▲]			220V		3P+E	
SOPG032A415V3PE [▲]			400V		3P+E	
SOPG032A490V3PE [▲]	Ø10-28mm	32A	480V		3P+E	
SOPG032A690V3PE [▲]			615V		3P+E	
SOPG032A415V4PE			400V		3PN+E	
SOPG063A240V3PE [▲]			220V		3P+E	
SOPG063A415V3PE [▲]			400V		3P+E	
SOPA063A415V3PE [▲]			400V		3P+E	Auxillary
SOPG063A490V3PE [▲]			480V		3P+E	
SOPA063A490V3PE [▲]	Ø15-35mm	63A	480V		3P+E	Auxillary
SOPG063A690V3PE [▲]			615V		3P+E	
SOPA063A690V3PE [▲]			615V		3P+E	Auxillary
SOPG063A415V4PE [▲]			400V		3P+E	
SOPA063A415V4PE [▲]			400V		3P+E	Auxillary
SOPG125A240V3PE [▲]			220V		3P+E	
SOPG125A415V3PE [▲]			400V		3P+E	
SOPA125A415V3PE [▲]			400V		3P+E	Auxillary
SOPG125A490V3PE [▲]			480V		3P+E	
SOPA125A490V3PE [▲]	Ø20-57mm	125A	480V		3P+E	Auxillary
SOPG125A690V3PE [▲]			615V		3P+E	
SOPA125A690V3PE [▲]			615V		3P+E	Auxillary
SOPG125A415V4PE [▲]			400V		3P+E	
SOPA125A415V4PE [▲]			400V		3P+E	Auxillary

[▲]Available on request

Plug & Socket Outlets

Zones 1 & 2, 21 & 22



ORDERING GUIDE - SOCKETS

Product	Part Number	Entries	Amps	Volts	Colour	Pins	
Wall	SOSW016A024V2P [▲]			24V		2P	
	SOSW016A042V2P [▲]			42V		2P	
	SOSW016A110V2PE [▲]			110V		2P+E	
	SOSW016A240V2PE			220V		2P+E	
	SOSW016A240V3PE [▲]	2 x M25	16A	220V		3P+E	
	SOSW016A415V3PE			400V		3P+E	
	SOSW016A490V3PE [▲]			480V		3P+E	
	SOSW016A690V3PE [▲]			615V		3P+E	
	SOSW016A415V4PE			400V		3PN+E	
	SOSW032A240V3PE [▲]			220V		3P+E	
	SOSW032A415V3PE [▲]			400V		3P+E	
	SOSW032A490V3PE [▲]	2 x M32	32A	480V		3P+E	
	SOSW032A690V3PE [▲]			615V		3P+E	
	SOSW032A415V4PE [▲]			400V		3PN+E	
	SOSW063A240V3PE [▲]			220V		3P+E	
	SOSW063A415V3PE [▲]			400V		3P+E	
	SOSA063A415V3PE [▲]			400V		3P+E	Auxillary
	SOSW063A490V3PE [▲]			480V		3P+E	
	SOSA063A490V3PE [▲]	2 x M50	63A	480V		3P+E	Auxillary
	SOSW063A690V3PE [▲]			615V		3P+E	
	SOSA063A690V3PE [▲]			615V		3P+E	Auxillary
	SOSW063A415V4PE [▲]			400V		3PN+E	
	SOSA063A415V4PE [▲]			400V		3PN+E	Auxillary
	SOSW125A240V3PE [▲]			220V		3P+E	
	SOSW125A415V3P [▲]			400V		3P+E	
	SOSA125A415V3PE [▲]			400V		3P+E	Auxillary
	SOSW125A490V3PE [▲]			480V		3P+E	
	SOSA125A490V3PE [▲]	2 x M63	125A	480V		3P+E	Auxillary
	SOSW125A690V3PE [▲]			615V		3P+E	
	SOSA125A690V3PE [▲]			615V		3P+E	Auxillary
	SOSW125A415V4PE [▲]			400V		3PN+E	
	SOSA125A415V4PE [▲]			400V		3PN+E	Auxillary

[▲]Available on request

Plug & Socket Outlets

Zones 1 & 2, 21 & 22



ORDERING GUIDE - SOCKETS

Product	Part Number	Entries	Amps	Volts	Colour	Pins
Panel	SOSP016A024V2P [^]			24V		2P
	SOSP016A042V2P [^]			42V		2P
	SOSP016A110V2PE [^]			110V		1PN+E
	SOSP016A240V2PE [^]			220V		1PN+E
	SOSP016A240V3PE [^]	2 x M25	16A	220V		3P+E
	SOSP016A415V3PE [^]			400V		3P+E
	SOSP016A490V3PE [^]			480V		3P+E
	SOSP016A690V3PE [^]			615V		3P+E
	SOSP016A415V4PE [^]			400V		3PN+E
	SOSP032A240V3PE [^]			220V		3P+E
	SOSP032A415V3PE [^]			400V		3P+E
	SOSP032A490V3PE [^]	2 x M32	32A	480V		3P+E
	SOSP032A690V3PE [^]			615V		3P+E
	SOSP032A415V4PE [^]			400V		3PN+E
	Coupler	SOSC016A024V2P [^]			24V	
SOSC016A042V2P [^]				42V		2P
SOSC016A110V2PE [^]				110V		1PN+E
SOSC016A240V2PE [^]				220V		1PN+E
SOSC016A240V3PE [^]		2 x M25	16A	220V		3P+E
SOSC016A415V3PE [^]				400V		3P+E
SOSC016A490V3PE [^]				480V		3P+E
SOSC016A690V3PE [^]				615V		3P+E
SOSC016A415V4PE [^]				400V		3PN+E
SOSC032A240V3PE [^]				220V		3P+E
SOSC032A415V3PE [^]				400V		3P+E
SOSC032A490V3PE [^]		2 x M32	32A	480V		3P+E
SOSC032A690V3PE [^]				615V		3P+E
SOSC032A415V4PE [^]				400V		3PN+E

[^]Available on request

AUSTRALIA

Sales

T: 1300 Enclosures (1300 362 567)
E: sales@brenclosures.com.au
brenclosures.com.au

QUEENSLAND

Brisbane Manufacturing, Sales & Warehouse
51 Stradbroke Street
Heathwood QLD 4110
(PO Box 1151)
Browns Plains BC QLD 4118
T: +61 7 3714 1111
E: salesqld@brenclosures.com.au

NORTH QUEENSLAND

Townsville Sales & Warehouse
Unit 4/ 780 Ingham Road
Mount Louisa, QLD 4814
(PO Box 7615)
Garbutt QLD 4814
T: +61 7 4727 1900
E: salestvl@brenclosures.com.au

NEW SOUTH WALES

NSW & ACT Sales & Warehouse
7 Metters Place
Wetherill Park NSW 2164
T: +61 2 9915 9555
E: salesnsw@brenclosures.com.au

NEWCASTLE Distribution

Ross Joice Agencies Pty Ltd
109-111 Broadmeadow Road
Broadmeadow NSW 2292
T: +61 2 4961 4433

VICTORIA

VIC & TAS Sales & Warehouse
50-52 Sunmore Close
Heatherton VIC 3202
T: +61 3 9552 0552
E: salesvic@brenclosures.com.au

TASMANIA Distribution

W P Martin Pty Ltd
85 Elizabeth Street
Launceston TAS 7250
T: +61 3 6331 5545

SOUTH AUSTRALIA

SA & NT Manufacturing, Sales & Warehouse
505 Grand Junction Road
Wingfield SA 5013
T: +61 8 8417 6222
E: salessa@brenclosures.com.au

NORTHERN TERRITORY Distribution

Jewell Distributors Pty Ltd
Cnr Hidden Valley & Beaton Roads
Berrimah NT 0828
T: +61 8 8947 0870

WESTERN AUSTRALIA

WA Sales Office & Warehouse
6 Montgomery Way
Malaga WA 6090
T: +61 8 6310 4777
E: saleswa@brenclosures.com.au

NEW ZEALAND

Sales

B&R Enclosures Limited
T: 0800 Enclosures (0800 362 567)
E: sales@brenclosures.co.nz
brenclosures.co.nz

AUCKLAND Distribution

Matchmaster
Unit 6103 Cryers Road
East Tamaki Auckland NZ 2013
T: +64 9 265 2097
E: sales@brenclosures.co.nz

CHRISTCHURCH Distribution

Matchmaster
17 Washbournes Road
Wigram Christchurch NZ 8042
T: +64 3 348 0659
E: sales@brenclosures.co.nz

CHINA

B&R Enclosures (Suzhou) Co. Ltd
E: sales@brenclosures.com.cn
brenclosures.cn

SUZHOU

Manufacturing, Sales & Warehouse
South Block, Building 23 Chuangtou
Industrial Zone Heshun Road, SIP,
Suzhou 215122

PEOPLE'S REPUBLIC OF CHINA

T: +86 512 8718 2139
E: sales@brenclosures.com.cn

MIDDLE EAST

Sales

B&R Gulf
M: +966 503 496 592
T: +966 381 2869 1 or +966 5034 9659 2
E: sales@brgulf.com.sa
brgulf.com

DAMMAM Manufacturing, Sales & Warehouse

B&R Gulf
Factory No. 12, Modon Buildings,
King Salman Road, Industrial Area 3,
Dammam, Saudi Arabia
M: +966 503 496 592
T: +966 381 2869 1 or +966 5034 9659 2
E: sales@brgulf.com.sa
brgulf.com

