



- Designed for the most common mining, mineral processing and infrastructure projects.
- Used in local control stations, mini control consoles or motor isolation control stations.
- 30° sloping roof to prevent build up of water and solids.
- Lifting lugs conform to AS4991: *Lifting Devices*.
- One (1) tonne SWL on each lifting lug (excluding SP040425).
- Easy installation with top and bottom mounting flanges.
- Conformity, Approvals - Lloyds Register #06/10007 (E2)
- Region D wind rated to AS1170.2-2002: Structural design actions - Wind actions
- Powdercoated X15 orange and manufactured from  
Enclosure - 2mm zinc coated steel  
Sunshades - 1.6mm zinc coated steel.

Comes standard with:

- Sunshades – top, door and both sides
- Steel mounting pan powdercoated white
- Chrome steel padlockable swing handle with LockSock®
- 3-point locking (excluding SP040425 range)
- 6mm aluminium gland plate
- Lifting lugs on enclosures (excluding SP040425 range)

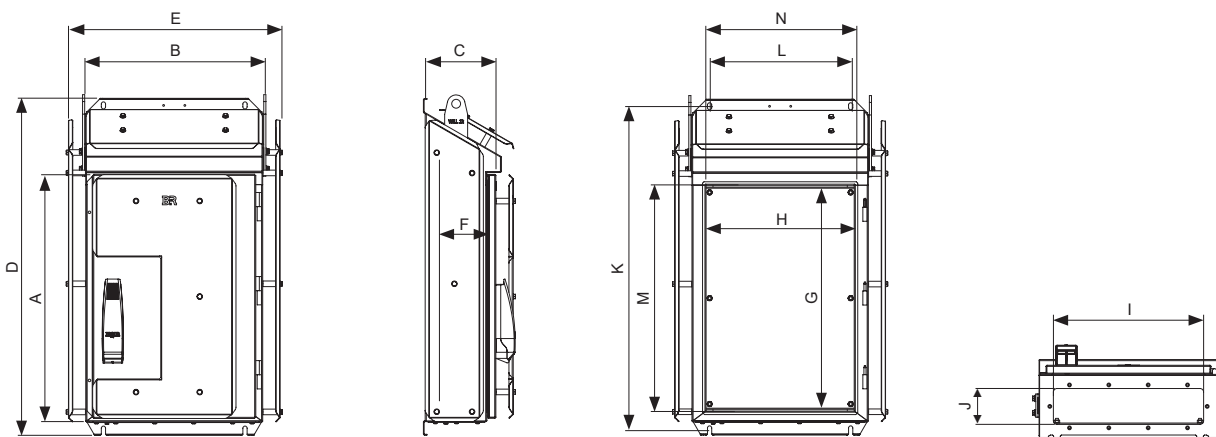


## ORDERING GUIDE

Part Number	Dimensions (mm)														
	External			Internal			Mounting Pan		Gland Opening		Mounting Centres		Opening		Weight (kg)
	Height (A)	Width (B)	Depth (C)	Total Height (D)	Total Width (E)	Usable Depth (F)*	Height (G)	Width (H)	Width (I)	Depth (J)	Height (K)	Width (L)	Height (M)	Width (N)	
SP070522/SK	700	500	200	952	600	153	630	430	420	100	920	400	640	420	105
SP100822/SK	1000	800	200	1250	900	153	930	730	720	100	1218	700	940	720	150
SP040425/SK#	400	400	250	679	500	203	330	330	320	140	641	300	340	320	60
SP070535/SK	700	500	350	1037	600	303	630	430	420	240	1005	400	640	420	120
SP100840/SK	1000	800	400	1365	900	353	930	730	640	210	1334	600	940	720	180

\* From mounting pan to inside of door.  
# Does not come with a front sunshade.

## TECHNICAL DRAWINGS



Front View

Side View

Front View  
(Door Removed)

Bottom View

# Pilbara SP with Sunshades – Zinc Coated Steel

## Mining and Industrial Enclosures

### ACCESSORIES

Product	Description	Part Number	Dimensions (mm)			SP070522/SK	SP100822/SK	SP040425/SK	SP070535/SK	SP100840/SK
			Height	Width	Depth					
Hinged escutcheon	Zinc coated steel	SPHE0404	325	320	18			•		
		SPHE0705	625	420	18	•			•	
		SPHE1008	925	720	18		•			•
Gland plate	Brass	SPGB32/6	380	200	6			•		
		SPGB41/6 <sup>▲</sup>	480	160	6	•				
		SPGB43/6	480	300	6				•	
		SPGB71/6 <sup>▲</sup>	780	160	6		•			
	Aluminium	SPGB72/6 <sup>▲</sup>	700	270	6					•
		SPGA32/6	380	200	6			•		
		SPGA41/6	480	160	6	•				
		SPGA43/6	480	300	6				•	
Hinge	316 stainless steel	SPGA71/6	780	160	6		•			
		SPGA72/6	700	270	6					•
LED light kit	12V	SPH/S	–	–	–	•	•	•	•	•
		BRLED300	–	300	–	•		•	•	
	24V	BRLED500	–	500	–		•			
		BRLED300/24	–	300	–	•		•	•	
Light mounting kit	To suit LED light kits	BRLED500/24	–	500	–					•
		IPLKB04 <sup>▲</sup>	–	–	–			•		
		SPLKB05 <sup>▲▲</sup>	–	–	–	•			•	
		IPLKB08 <sup>▲</sup>	–	–	–		•			•

<sup>▲</sup> Light not included, purchased separately

<sup>▲▲</sup> Available on request



- Designed for the most common mining, mineral processing and infrastructure projects.
- Used in local control stations, mini control consoles or motor isolation control stations.
- 30° sloping roof to prevent build up of water and solids.
- Lifting lugs conform to AS4991: Lifting Devices.
- One (1) tonne SWL on each lifting lug (excluding SP040425).
- Easy installation with top and bottom mounting flanges.
- Conformity, Approvals:  
Lloyds Register #06/10007 (E2)
- Region D wind rated to AS1170.2-2002: Structural design actions - Wind actions
- Manufactured from 1.5mm 316 stainless steel.
- N4 surface finish or powdercoated X15 orange.

Comes standard with:

- Sunshades – top, door and both sides
- Steel mounting pan powdercoated white
- Stainless steel padlockable swing handle with LockSock®
- 3-point locking (excluding SP040425 range)
- 2mm stainless steel gland plate
- Lifting lugs on enclosures (excluding SP040425 range)

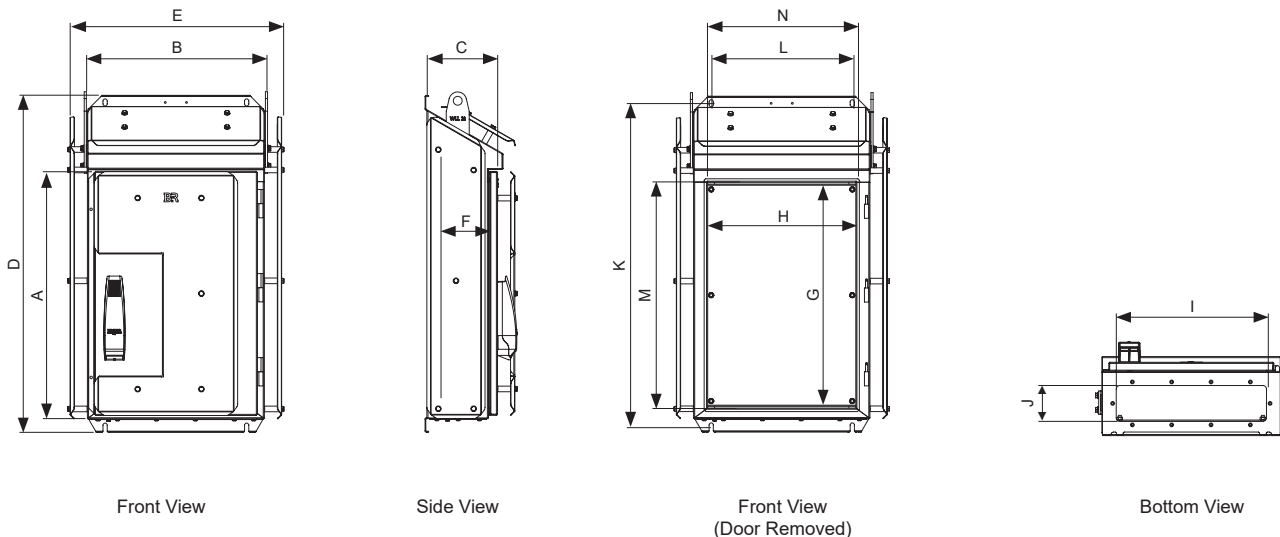


**ORDERING GUIDE**

Part Number		Dimensions (mm)															
		External			Internal		Mounting Pan		Gland Opening		Mounting Centres		Opening		Weight		
Height (A)	Width (B)	Depth (C)	Total Height (D)	Total Width (E)	Usable Depth (F)*	Height (G)	Width (H)	Width (I)	Depth (J)	Height (K)	Width (L)	Height (M)	Width (N)	S/SK (kg)	SRO/SK (kg)		
316SS (N4)	X15 Orange																
SP070522/S/SK	SP070522/SRO/SK	700	500	200	952	600	153	630	430	420	100	920	400	640	420	95	98
SP100822/S/SK	SP100822/SRO/SK	1000	800	200	1250	900	153	930	730	720	100	1218	600	940	720	135	141
SP040425/S/SK#	SP040425/SRO/SK#	400	400	250	679	500	203	330	330	320	140	641	300	340	320	54	56
SP070535/S/SK	SP070535/SRO/SK	700	500	350	1037	600	303	630	430	420	240	1005	400	640	420	110	114
SP100840/S/SK	SP100840/SRO/SK	1000	800	400	1365	900	353	930	730	640	210	1334	600	940	720	160	168

\* From mounting pan to inside of door.  
# Does not come with a front sunshade.

**TECHNICAL DRAWINGS**



# Pilbara SP with Sunshades – 316 Stainless Steel

## Mining and Industrial Enclosures

### ACCESSORIES

Product	Description	Part Number	Dimensions (mm)			SP070522/S/SK	SP070522/SRO/SK	SP100822/S/SK	SP100822/SRO/SK	SP040425/S/SK	SP040425/SRO/SK	SP070535/S/SK	SP070535/SRO/SK	SP100840/S/SK	SP100840/SRO/SK
			Height	Width	Depth										
Hinged escutcheon	Zinc coated steel	SPHE0404	325	320	18					•	•				
		SPHE0705	625	420	18	•	•					•	•		
		SPHE1008	925	720	18			•	•					•	•
Gland plate	Brass	SPGB32/6	380	200	6					•	•				
		SPGB41/6 <sup>▲</sup>	480	160	6	•	•								
		SPGB43/6	480	300	6							•	•		
		SPGB71/6 <sup>▲</sup>	780	160	6			•	•						
	SPGB72/6 <sup>▲</sup>	700	270	6										•	•
	Aluminium	SPGA32/6	380	200	6					•	•				
		SPGA41/6	480	160	6	•	•								
SPGA43/6		480	300	6							•	•			
SPGA71/6		780	160	6			•	•							
SPGA72/6	700	270	6										•	•	
Hinge	316 stainless steel	SP/H/S	–	–	–	•	•	•	•	•	•	•	•	•	•
LED light kit	12V	BRLED300	–	300	–	•				•	•				
		BRLED500	–	500	–		•								
	24V	BRLED300/24	–	300	–	•				•	•				
		BRLED500/24	–	500	–							•			
Light mounting kit	To suit LED light kits	IPLKB04 <sup>▲</sup>	–	–	–					•					
		SPLKB05 <sup>▲▲</sup>	–	–	–	•				•		•			
		IPLKB08 <sup>▲</sup>	–	–	–		•	•	•			•		•	•

<sup>▲</sup> Light not included, purchased separately

<sup>▲▲</sup> Available on request

## Enclosure LED Lighting



Our LED lighting solutions provide light inside an enclosure when visibility is required for both safety and efficacy.



High output, small form factor LED lighting. Up to 4 units can be daisy chained from the one power supply. Allows for the opening of full height swing frames or hinged escutcheons when fitted to the roof. The optional PIR movement sensor can be used for power efficiency as an automatic door switch. All light kits can be mounted directly onto 19" rack rails. In the absence of 19" rack rails a mounting kit is available to suit the enclosure size.

B&R's LED lighting solutions are applied to provide excess light within an enclosure and becomes a continuous light source to provide extra visibility.

- Energy saving up to 50% compared with traditional fluorescents under the same lux.
- Life span – over 50,000 hours
- Colour temperature: warm white.
- Available in 12V and 24V options.
- Easy linking up to 36 watts per run.
- Easy to install.
- Low voltage — safe and efficient.
- Manufactured from aluminium with black plastic end caps and acrylic lens.
- Light source – SM3528 LED
- Operating temperature – -20°C to 40°C indoors



This information is provided as a guide only. Contact your local sales representative to discuss your requirements.

### Technical Operating Data

Length (mm)	Voltage (DC)	Power (W)	Radiance	Colour Temp	Luminous Flux (lm)*	LED Current (A)
300	12/24	3	90°	4400	280/360	0.18
500	12/24	5	90°	4400	460/600	0.18

### Pilbara SP

Part Number	Power (V)	LED Light	Power Supply	Inclusions			Required Mounting Bracket			To suit enclosure	
				Splitter	Switch	Connectors	IPLKB04	SPLKB05	IPLKB08	Width (mm)	Optional
BRLED300	12	•	•		•		•			400 or 500	BRMOT PIR Motion Sensor
BRLED300/24	24	•	•		•		•			400 or 500	
BRLED500	12	•	•		•			•		800	
BRLED500/24	24	•	•		•			•		800	
BRLEDK03	–	•		•		•				400 or 500	
BRLEDK05	–	•		•		•		•		800	

# Locks

## Standard Locks

Enclosure	Zinc Coated Steel	Stainless Steel
Pilbara SP	SP/LCK – chromed steel padlockable swing handle with LockSock®	SP/LCK/S – stainless steel padlockable swing handle with LockSock®

## Lock Options for Special Purpose Enclosures

There are a number of lock options available that are suitable for use on special purpose enclosures. Contact your local sales representative to discuss your requirements.

Product	Description	Part Number	Standard Lock/Insert	Alternative insert	Key	
					Lockable handles	Aluminium, 4-way
Turnbuckle	chromed steel	NI020	7mm square – steel	See page 7		SKZ
		DD020	7mm square – steel	See page 7		SKZ
	powdercoated	NI020/PS	7mm square – stainless steel	See page 7		SKZ
		DD020/PS	7mm square – stainless steel	See page 7		SKZ
	stainless steel	NI020/S	7mm square – stainless steel	See page 7		SKZ
		NI028S/S	8mm square slotted – stainless steel	See page 7		
Wing knob	lockable	NI030	Key code 92268			SK3
		DD030	Key code 92268			SK3
	non-lockable	NI111	–			
		DD111	–			
T-handle	lockable	NI040	Key code 92268			SK3
		DD040	Key code 92268			SK3
L-handle	lockable	NI050	Key code 92268			SK3
		DD050	Key code 92268			SK3
	padlockable – steel	NI052	–			
		DD052	–			
	padlockable – stainless steel	NI052/S	–			
		DD052/S	–			
Swing handle	padlockable – steel	SP/LCK	–			
	padlockable – stainless steel	SP/LCK/S	–			
LockSock®	plastic	SP/LCK/DC	To suit SP/LCK			
Dust cap	plastic	NI020/DC	To suit NI020 lock			



**Lock Inserts for Locks**

The NI020 locks are available with an option lock insert for use on all special purpose enclosures. Contact your local sales engineer to discuss your requirements.

To suit lock style	Description	To suit lock	Standard Insert	3mm double bit pin		8mm square		8mm square slotted	8mm triangle	
				Steel	Stainless Steel	Steel	Stainless Steel	Stainless Steel	Steel	Stainless Steel
Turnbuckle	chromed steel	NI020 or DD020	7mm square – steel	LKINS3P		LKINS8S		LKINS8SS/S		LKIN8T
	powdercoated with SS insert	NI020/PS or DD020/PS	7mm square – stainless steel		LKINS3P/S		LKINS8S/S	LKINS8SS/S		LKINS8T/S
	stainless steel	NI020/S or DD020/PS	7mm square – stainless steel		LKINS3P/S		LKINS8S/S	LKINS8SS/S		LKINS8T/S
Key required – aluminium			SKZ	SKZ	SKZ	SK8	SK8	SK8	SKZ	SKZ