



B&R Enclosures

anyX Floor

brenclosures.com.au



- Suitable for housing networking equipment including patch panels, modems and routers.
- Load rating tested to AS62208-2006.
- Manufactured from SPCC rolled steel.
- Powdercoated textured Matt Black.

Comes standard with:

- Frame and 2 x removable side panels
- Tempered, tinted safety glass window front door and steel rear door both with key lockable swing handle (keyed to 92268)
- 4 x full height RU marked and notched mounting rails
- Fixed shelf (22RU) or shelves (2 on 32RU and 3 on 42RU & 45RU)
- 10-way Australian 3-Pin power rail (horizontal)
- Adjustable feet and braked castor kit
- Roof mounted fan unit with thermostat (2-way for ≤ 600mm deep, 4-way for 800 & 1000mm deep)
- 800mm wide cabinets only - 4 x full height vertical cable management systems with snap cover and internal cable rings



With castors.

ORDERING GUIDE

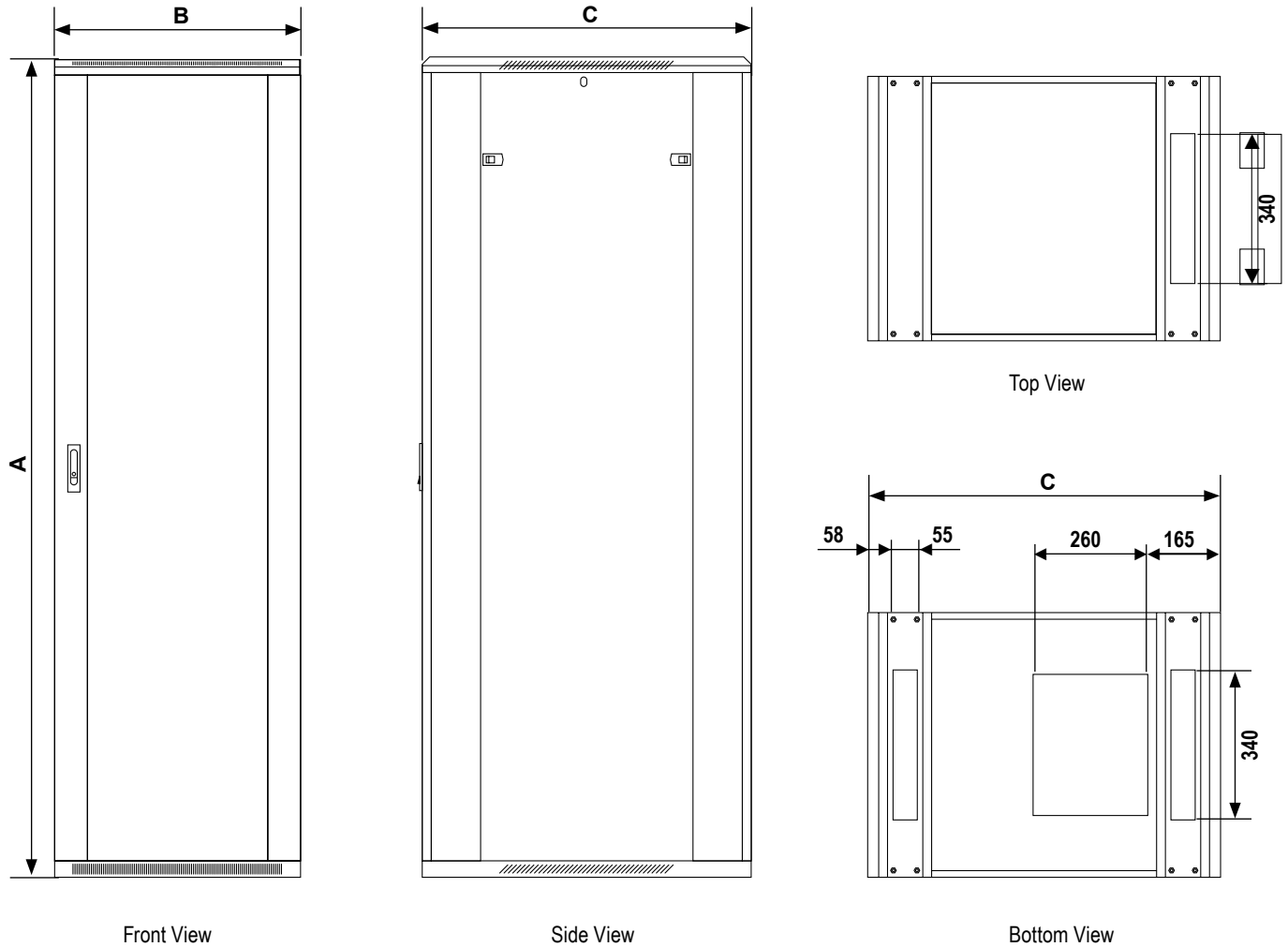
Part Number	RU	Dimensions (mm)					Fixed Shelf	Weight (kg)
		Height* (A)	Width (B)	Depth (C)	Total Height			
ARFX60622U	22	1115	600	600	1185	1	61.0	
ARFX60822U	22	1115	600	800	1185	1	74.0	
ARFX60632U	32	1550	600	600	1620	2	80.0	
ARFX60832U	32	1550	600	800	1620	2	96.0	
ARFX61032U	32	1550	600	1000	1620	2	107.0	
ARFX60642U	42	1995	600	600	2065	3	97.0	
ARFX60842U	42	1995	600	800	2065	3	105.0	
ARFX61042U	42	1995	600	1000	2065	3	124.0	
ARFX81042U	42	1995	800	1000	2065	3	168.0	
ARFX60645U	45	2130	600	600	2200	3	107.0	
ARFX60845U	45	2130	600	800	2200	3	115.0	
ARFX61045U	45	2130	600	1000	2200	3	134.0	
ARFX81045U	45	2130	800	1000	2200	3	175.0	

* Height does not include feet or castors



Without feet or castors.

TECHNICAL DRAWINGS



19" mounting rail setback is 110mm from front/rear of cabinet.

Accessories

Blanking Panels - Eziblank

The adjustable tool-less blanking panels simply snap to the size you need and pushes onto the 19" mounting rails. The blanking panels can be easily snapped into 1RU increments to fit any gap. Made from UL94 fire rated and anti-static ABS plastic.

Part Number	Description	RU	To suit cabinets & frames
ARBP6U	Supplied as 6 x 1RU plastic panels	1	All B&R Data ICT cabinets and frames



ARBP6U

Blanking Panels - Metal

Used to control airflow within the rack. They are manufactured from 1.2mm steel with a powdercoated matt black surface finish.

Part Number	RU	Dimensions (mm)		To suit cabinets & frames
		Height (mm)	Width (mm)	
EBP1U	1	44	483	All B&R Data ICT cabinets and frames
EBP2U	2	88	483	
EBP3U	3	132	483	
EBP4U	4	177	483	
EBP5U▲	5	222	483	
EBP6U▲	6	266	483	



EBP

Brush Strips - Ezibrush™

Keeps hot exhaust air away from cool intake air, extending the life of your equipment. These panels have a brush strip overhanging the 1RU size by an extra 5mm allowing simple management of air gaps when placed alongside other equipment.

Part Number	Description	RU	To suit cabinets & frames
ARBPB1U▲	Horizontal, 19" black, pack of 5 strips	1	All B&R Data ICT cabinets and frames



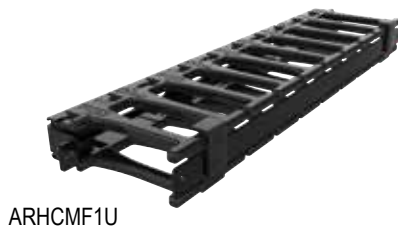
▲ Available on request

Cable Management - Horizontal

Cable management is an efficient and tidy way to keep on top of high density cabling in a rack or cabinet. Horizontal options can be incorporated into any B&R rack or cabinet.

Part Number	RU	Width (mm)	Depth (mm)	Description	To suit cabinets & frames
Horizontal Cable Management					
ARHCMF2U	2	480	125		All 19" racks
Horizontal Cable Management Extended Finger/ Cover Panel					
ARHCMFX1U [▲]	1			Extended finger 150mm finger length	All 19" racks
ARHCMFX2U [▲]	2				
ARHCMFX4U [▲]	4				
Horizontal Cable Management Rings					
ARPCMH1U	1			55mm x 30mm ring	All 19" racks
ARPCMH2U [▲]	2			55mm x 30mm ring	
ARPCMH4U [▲]	4			55mm x 30mm ring	
ARPCMH1U100 [▲]	1			40mm x 100mm ring	
Cable Management Hanger					
ARPCMP24	–			24 patch lead hanger, 597mm	Stand alone product wall mount

* Needs Cable Zone



ARHCMF1U



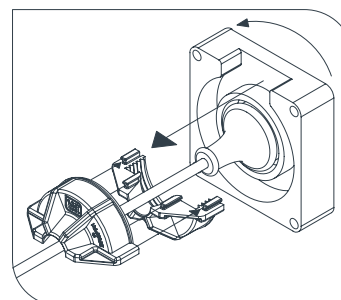
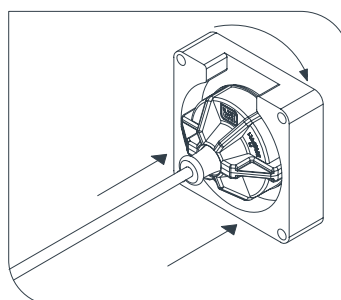
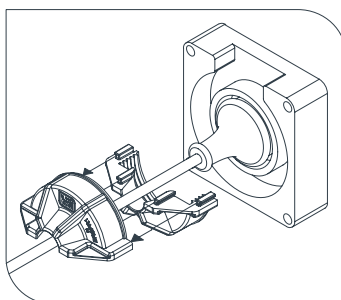
ARHCMF4U

Captive Plug Ring

- An easy-split mechanism allows plug ring to be retro-fitted without cutting the lead.
- Will suit most 10A or 15A single phase moulded SAA plugs.
- Will screw onto typical IP66 sockets similar to the 56 series.
- Clear design makes it easier to view plug for inspection.
- Manufactured from polycarbonate



Part Number	Finish	Sold as	Carton Qty
BRSPR1	Transparent	Single Plug	10



▲ Available on request

Accessories

Copper Earth Bars

Installation of a copper earth bar into a data rack or cabinet will allow the active equipment to be grounded, providing protection from static electricity build up.

Part Number	Description	RU	Product Range
ARPEBH1U▲	Horizontal	1	All B&R Data ICT cabinets and frames

Mesh Doors - Single

To maximise airflow all mesh doors consist of 63% or 60% open mesh and include a lockable wing knob and two point locking as standard (keyed to 92268). Electronic remote controlled, monitored locking systems, swing handles, custom keying and 3-point locking (ARP3L) are available on request.

Part Number	Description	To suit cabinets & frames		
		RU	Width (mm)	Product Range
ARDXM12U06	Single Mesh Steel Doors (60% open mesh)	12	600	onyX
ARDXM18U06▲		18	600	
ARDXM22U06▲		22	600	
ARDXM24U06		24	600	
ARDXM32U06▲		32	600	
ARDXM42U06▲		42	600	
ARDXM42U8		42	800	
ARDXM45U06▲		45	600	
ARDXM45U08▲		45	800	
ARDXM47U06▲		47	600	
ARDXM47U08▲		47	800	

Mesh Doors - Split

To maximise airflow all mesh doors consist of 63% or 60% open mesh and include a lockable wing knob and two point locking as standard (keyed to 92268). Electronic remote controlled, monitored locking systems, swing handles, custom keying and 3-point locking (ARP3L) are available on request.

Part Number	Description	To suit cabinets & frames		
		RU	Width (mm)	Product Range
ARDXDD42U06▲	Split Mesh Steel Doors (60% open mesh)	42	600	onyX
ARDXDD42U08▲		42	800	
ARDXDD45U06▲		45	600	
ARDXDD45U08▲		45	800	
ARDXDD47U06		47	600	
ARDXDD47U08▲		47	800	

▲ Available on request

Accessories



Fans

Both the two and four unit fan kits install into the roof or a bottom plinth. The two unit fan kit can also be fitted into the equipment rails. All fans are supplied with 2m flex and 10A SAA plug.

Part Number	No. of Fans	Description	RU	To Suit Enclosure
ARXAF2 [▲]	2	Kit - 2 way roof fan with integrated thermostat	-	Floor onyX
ARXAF4U80 [▲]	4	Kit - 800 deep 2 way roof fan with integrated thermostat	-	

*Fitting in roof and base only

All fans have a 10 Amp 3-pin plug on the power cable.

Units with 2 fans have an airflow of 220cfm. Units with 4 fans have an airflow of 440cfm.

General Accessories

Part Number	Product	To suit enclosure
ARFXBK	Baying kit, pack of 4 brackets	onyX Floor onyX Floor Server
ARFXKEYF	Door key, keyed to 92268	onyX Floor
ARXSPL	Side panel lock kit, single	onyX
ARCN	Cage nuts, screws and washers Pack of 50	All B&R Data ICT products
ARSTUD20 [▲]	Rack Studs, pack of 20	
ARSTUD100 [▲]	Rack Studs, pack of 100	
ARWB1U	Light duty wall mount 19" brackets.	1RU x 500mmW x 200mmD
ARWB2U [▲]	Suitable when cabinet mounting is not practical and space is limited. One side is hinged to allow patch panels and equipment to be swung out for rear access.	2RU x 500mmW x 200mmD
ARWB4U [▲]		4RU x 500mmW x 200mmD



ARWB1U &
ARWB2U



ARCN



ARSTUD100

▲ Available on request

Accessories

Plinths

Provide a fixed base for the cabinet and also a working space underneath the cabinet for the cables.

Part Number	Height (mm)	Width (mm)	Depth (mm)	To suit cabinets & frames
ARXP610▲	100	600	1000	Floor onyX & Floor Server onyX
ARXP62▲	100	600	1200	
ARXP66▲	100	600	600	
ARXP68▲	100	600	800	
ARXP69▲	100	600	960	
ARXP810▲	100	800	1000	
ARXP82▲	100	800	1200	
ARXP88▲	100	800	800	
ARXP89▲	100	800	960	



ARXP88
(set up without fixings)



ARXP88
(parts and fixings)

PDU Brackets

Allows for PDU's to be installed to the rack using many different configurations.

Part Number	Description	To suit cabinets & frames		
		Width (mm)	Depth (mm)	Product Range
ARXPRBK▲	Single PDU	800	-	onyX Floor & onyX Floor Server <i>(with cable management removed)</i>
ARXPDUBK45U▲	Single PDU	800	-	onyX Floor & onyX Floor Server <i>(with cable management removed)</i>



ARXPRBK

▲ Available on request

Ausrack Power Rails & Intelligent PDU's

ORDER GUIDE - STANDARD

Part Number	Orientation	RU	Description	Product Range
ARPRH61010	Horizontal	1	6 x 10A SAA Outlet 10A SAA Plug	All B&R Data ICT cabinets and frames
ARPRH61015		1	6 x 10A SAA Outlet 15A SAA Plug	
ARPRH101010		2	10 x 10A SAA Outlet 10A SAA Plug	
ARPRH101015		2	10 x 10A SAA Outlet 15A SAA Plug	



ORDER GUIDE - SURGE PROTECTION

Part Number	Orientation	RU	Description	Product Range
ARPRHS61010	Horizontal	1	6 x 10A SAA Outlet, 10A Captive Plug	All B&R Data ICT cabinets and frames
ARPRHS61015▲		1	6 x 10A SAA Outlet, 15A Captive Plug	



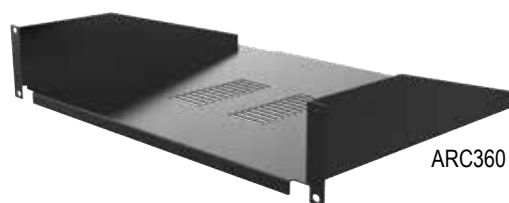
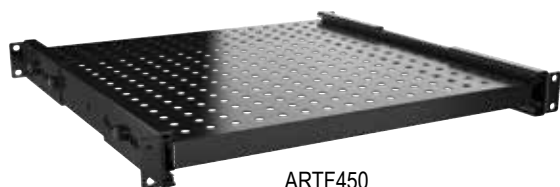
Accessories

Shelves

Providing a stable platform for other miscellaneous gear, shelving mounts off the 19" rack rails. All shelves are vented to allow vertical airflow.

Part Number	Description	RU	Depth (mm)	Load Rating (kg)	Suit Cabinet Depth	Product Range
ARTF450	Telescopic, full extension	1	450	20	600mm deep	All B&R Data ICT cabinets and frames
ARTF750		1	750	20	900mm deep	onyX Floor, onyX Server, Ausrack Plus, CQr, TxD, Field FE & iLINQ
ARTF950▲		1	950	20	1100mm deep	
ARTH450▲	Telescopic, half extension, locking	1	450	40	600mm deep	All B&R Data ICT cabinets and frames
ARTH750▲		1	750	40	900mm deep	onyX Floor, onyX Server, Ausrack Plus, CQr, TxD, Field FE & iLINQ
ARTH950▲		1	950	40	1100mm deep	onyX Floor, onyX Server, Ausrack Plus, CQr, TxD & iLINQ
ARC360	Cantilever	2	360	10	–	All B&R Data ICT cabinets and frames <i>*excluding all ARIP <400mm deep</i>
ARC210		2	210	10	–	All B&R Data ICT cabinets and frames
ARPCS150▲		2	150	10	–	
ARPCS250▲		2	250	10	–	
ARPCS350▲		2	350	10	–	
ARPCS450▲		2	450	10	–	
ARWX450CS		2	450	10	–	
ARXKBC350	Keyboard shelf	1	350	10	600	onyX
ARXKBC550▲		1	550	10	800	
ARKBC▲	Keyboard pivot tray accessory*	2	–	–	–	All B&R Data ICT cabinets and frames

* Requires half extension telescopic shelf to mount.

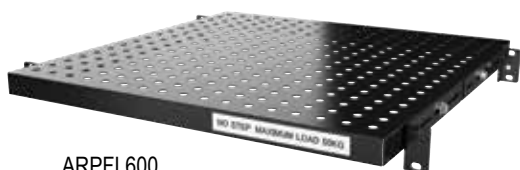


▲ Available on request

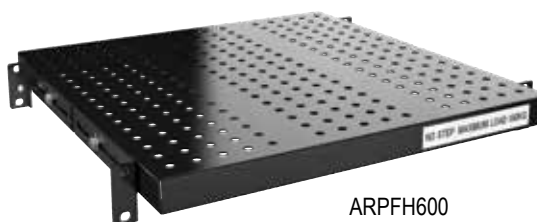
Shelves

Providing a stable platform for other miscellaneous gear, shelving mounts off the 19" rack rails. All shelves are vented to allow vertical airflow.

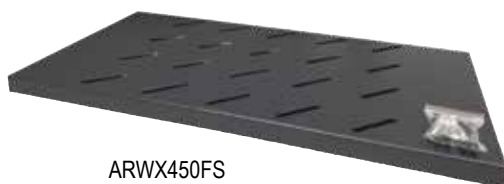
Part Number	Description	RU	Depth (mm)	Load Rating (kg)	Suit Cabinet Depth (mm)	Product Range
ARXFL350	Fixed, light duty	1	350	20	600	onyX
ARXFL550		1	550	20	800	
ARXFL710		1	710	20	1000	
ARWX450FS		1	450	20	450	
ARWX600FS [▲]		1	600	20	600	
ARPFL600		1	450	50	600	All B&R Data ICT cabinets and frames
ARPFL800		1	650	50	800	onyX Floor, onyX Server, Ausrack Plus, CQr, TxD, Field FE & iLINQ
ARPFL900		1	750	50	900	onyX Floor, onyX Server, Ausrack Plus, CQr, TxD & iLINQ
ARPFL1000		1	850	50	1000	
ARPFL1100		1	950	50	1100	
ARPFL1200	1	1050	50	1200		
ARPFH600	Fixed, heavy duty	1	450	160	600	All B&R Data ICT cabinets and frames
ARPFH800 [▲]		1	650	160	800	onyX Floor, onyX Server, Ausrack Plus, CQr, TxD, Field FE & iLINQ
ARPFH900 [▲]		1	750	160	900	onyX Floor, onyX Server, Ausrack Plus, CQr, TxD & iLINQ
ARPFH1000 [▲]		1	850	160	1000	
ARPFH1100		1	950	160	1100	
ARPFH1200		1	1050	160	1200	



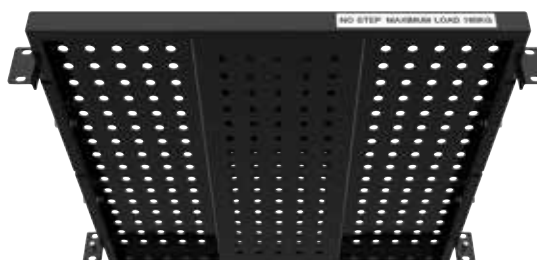
ARPFL600



ARPFH600



ARWX450FS



ARPFH600 - shows underside reinforcing for heavy duty load.

▲ Available on request

AUSTRALIA

Sales
T: 1300 Enclosures (1300 362 567)
E: sales@brenclosures.com.au
brenclosures.com.au

QUEENSLAND

Brisbane Manufacturing, Sales & Warehouse
51 Stradbroke Street
Heathwood QLD 4110
(PO Box 1151)
Browns Plains BC QLD 4118
T: +61 7 3714 1111
E: salesqld@brenclosures.com.au

NORTH QUEENSLAND

Townsville Sales & Warehouse
Unit 4/ 780 Ingham Road
Mount Louisa, QLD 4814
(PO Box 7615)
Garbutt QLD 4814
T: +61 7 4727 1900
E: salestvl@brenclosures.com.au

NEW SOUTH WALES

NSW & ACT Sales & Warehouse
7 Metters Place
Wetherill Park NSW 2164
T: +61 2 9915 9555
E: salesnsw@brenclosures.com.au

NEWCASTLE Distribution

Ross Joice Agencies Pty Ltd
109-111 Broadmeadow Road
Broadmeadow NSW 2292
T: +61 2 4961 4433

VICTORIA

VIC & TAS Sales & Warehouse
50-52 Sunmore Close
Heatherton VIC 3202
T: +61 3 9552 0552
E: salesvic@brenclosures.com.au

TASMANIA Distribution

W P Martin Pty Ltd
85 Elizabeth Street
Launceston TAS 7250
T: +61 3 6331 5545

SOUTH AUSTRALIA

SA & NT Manufacturing, Sales & Warehouse
505 Grand Junction Road
Wingfield SA 5013
T: +61 8 8417 6222
E: salessa@brenclosures.com.au

NORTHERN TERRITORY Distribution

Jewell Distributors Pty Ltd
Cnr Hidden Valley & Beaton Roads
Berrimah NT 0828
T: +61 8 8947 0870

WESTERN AUSTRALIA

WA Sales Office & Warehouse
6 Montgomery Way
Malaga WA 6090
T: +61 8 6310 4777
E: saleswa@brenclosures.com.au

NEW ZEALAND

Sales
B&R Enclosures Limited
T: 0800 Enclosures (0800 362 567)
E: sales@brenclosures.co.nz
brenclosures.co.nz

AUCKLAND Distribution

Matchmaster
Unit 6103 Cryers Road
East Tamaki Auckland NZ 2013
T: +64 9 265 2097
E: sales@brenclosures.co.nz

CHRISTCHURCH Distribution

Matchmaster
17 Washbournes Road
Wigram Christchurch NZ 8042
T: +64 3 348 0659
E: sales@brenclosures.co.nz