

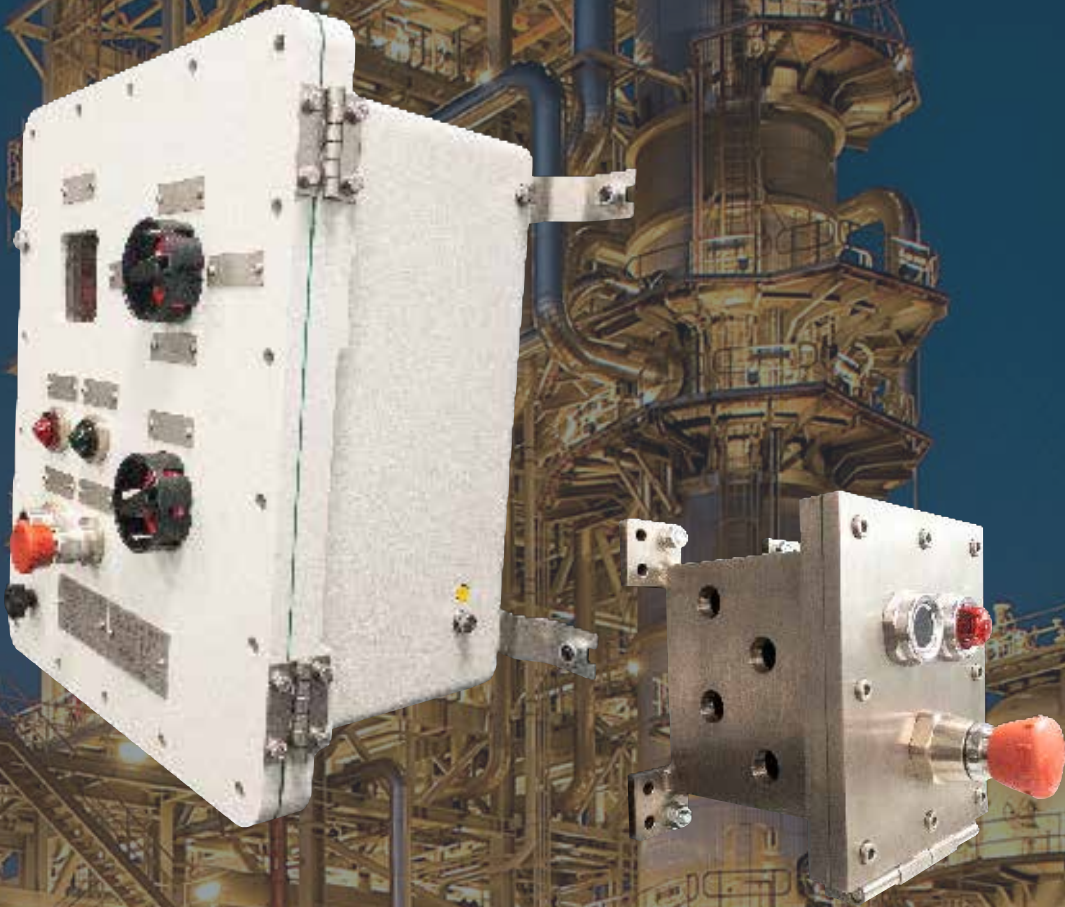


INDUSTRIAL

HAZARDOUS  
AREAS

DATA ICT

RESIDENTIAL  
COMMERCIAL



**B&R Enclosures**  
Ex d Enclosures

[brenclosures.com.au](http://brenclosures.com.au)

# Ex d Enclosures - Aluminium

Zones 1 & 2, 21 & 22



- Certified for use in Zone 1, 2 & 21, 22 hazardous areas.
- Suitable for use as junction boxes, control stations, terminal boxes, local control stations, motor starters motor distribution and switchracks.
- Designed to house pushbuttons, terminals and cable terminations.
- For protection of electrical equipment in applications where flammable liquids, gases and vapours or combustible dusts are present.
- Full range of pushbuttons, stop buttons, pilot lights and selector switches available for integration.
- Customised etched identification labels.
- Ambient temperature:  
-50°C up to +60°C
- Powdercoated finish.
- Manufactured from Copper Free Aluminium Alloy.



## APPLICATION ENVIRONMENTS

- Petrochemical, metallurgical, power generation and manufacturing industries.
- Oil refineries, offshore production, drilling platforms, fuel depots, chemical plants, including pesticides and fertilisers, paint manufacturing plants, spray booths, service stations, vehicle manufacturing, oxygen and acetylene production, airport hangars, above ground coal mining, sewerage treatment plants, pumping stations, distilleries.
- Grain silos, handling and storage facilities, flour mills, powdered milk production, food and manufacturing.

## PROTECTION TECHNIQUES

Ex db IIB or IIB + H2 T db, tb, [ia] or [ib] IP66

Ex tb IIIC T...°C Db IP66 Ta...°C

Ex db [ia Ga] IIB or IIB + H2 Gb db, tb, [ia] or [ib] IP66

Ex db [ia Gb] IIB or IIB + H2 Gb db, tb, [ia] or [ib] IP66

Refer to certificate for details.

## CERTIFICATION

IECEX INE 20.0046X



*These enclosures are sold with controls and terminals fitted. Empty enclosures are not available for sale.*



# Ex d Enclosures - Aluminium

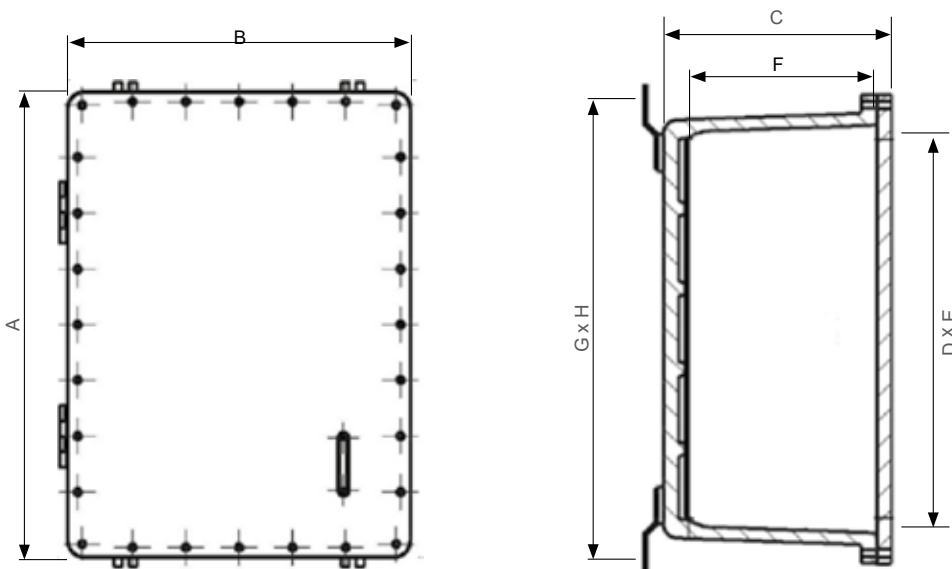
Zones 1 & 2, 21 & 22




## ORDERING GUIDE

Part Number	Dimensions (mm)											Weight (kg)
	External			Internal			Mounting Centres		Mounting Plate			
	Height (A)	Width (B)	Depth (C)	Height (D)	Width (E)	Depth (F)	Height (G)	Width (H)	Height	Width		
FJB224/A	315	250	175	230	160	130	180	241	M8	215	150	10
FJB425/A	425	247	230	330	153	188	290	249	M8	320	150	15
FJB446/A	489	412	260	375	300	208	335	414	M8	360	290	35
FJB456/A	530	492	258	418	385	203	360	480	M8	395	360	43
FJB566/A	594	540	312	464	414	233	400	559	M10	445	395	78
FJB656/A	832	445	315	720	340	235	630	449	M10	670	295	90
FJB666/A	832	610	315	720	500	235	630	604	M10	670	450	120
FJB667/A	832	610	410	720	500	330	630	604	M10	670	450	135

## TECHNICAL DRAWINGS



 These enclosures are sold with controls and terminals fitted. Empty enclosures are not available for sale.

## OPERATORS

We have a wide range of operators including pilot lights, push buttons, illuminated push buttons, switches and C/B handles suitable for use within our Ex d enclosures.

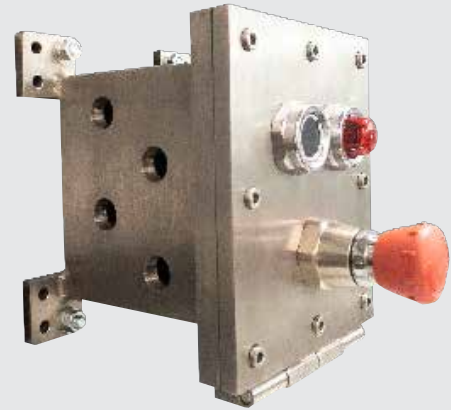


# Ex d Enclosures - Stainless Steel

Zones 1 & 2, 21 & 22



- Certified for use in Zone 1, 2 & 21, 22 hazardous areas.
- Suitable for use as junction boxes, control stations, terminal boxes, local control stations, motor starters, motor distribution and switchracks.
- Designed to house pushbuttons, terminals and cable terminations.
- For protection of electrical equipment in applications where flammable liquids, gases and vapours or combustible dusts are present.
- Full range of pushbuttons, stop buttons, pilot lights and selector switches available for integration.
- Customised etched identification labels.
- Ambient temperature:
  - 20°C up to +60°C and
  - 60°C up to +60°C available
- Manufactured from 316 Stainless Steel.



## APPLICATION ENVIRONMENTS

- Petrochemical, metallurgical, power generation and manufacturing industries.
- Oil refineries, offshore production, drilling platforms, fuel depots, chemical plants, including pesticides and fertilisers, paint manufacturing plants, spray booths, service stations, vehicle manufacturing, oxygen and acetylene production, airport hangars, above ground coal mining, sewerage treatment plants, pumping stations, distilleries.
- Grain silos, handling and storage facilities, flour mills, powdered milk production, food and manufacturing.

## PROTECTION TECHNIQUES

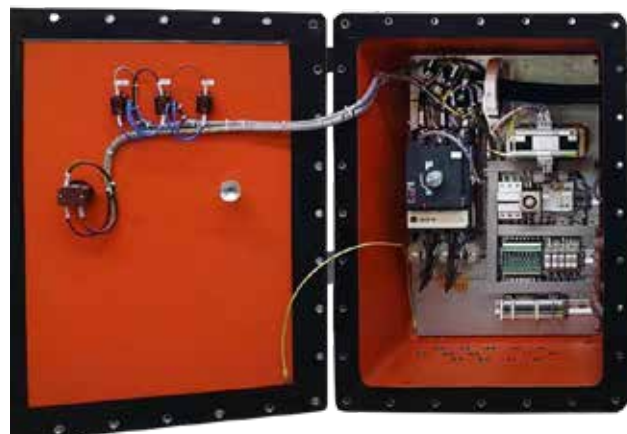
Ex db IIB or IIB + H2 T3 / T6 Gb  
Ex tb IIIC T...°C Db IP66 Ta...°C  
Ex db [ja Ga] IIB or IIB + H2 Gb T3 / T6 IP66  
Ex db [ja Gb] IIB or IIB + H2 Gb T3 / T6 IP66  
Refer to certificate for details.



*These enclosures are sold with controls and terminals fitted. Empty enclosures are not available for sale.*

## CERTIFICATION

IECEx INE 20.0046X



# Ex d Enclosures - Stainless Steel

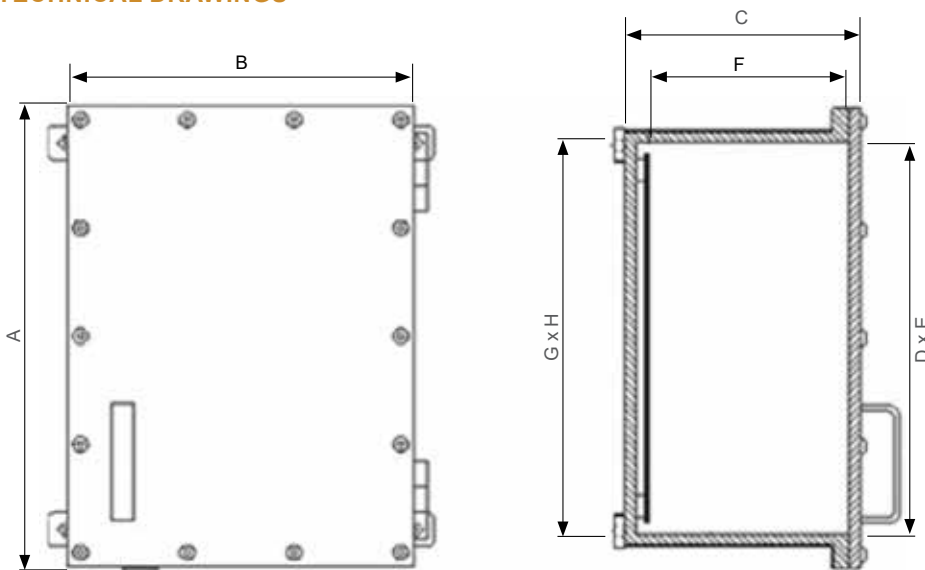
Zones 1 & 2, 21 & 22



## ORDERING GUIDE

Part Number	Dimensions (mm)											
	External			Internal			Mounting Centres		Mounting Plate		Weight (kg)	
	Height (A)	Width (B)	Depth (C)	Height (D)	Width (E)	Depth (F)	Height (G)	Width (H)	Height	Width		
FJB114/S	180	150	168	130	100	130	140	130	7	120	90	11
FJB234/S	290	230	178	230	170	140	225	225	9	210	150	23
FJB434-A/S	400	230	180	340	170	140	335	225	9	320	150	30
FJB434-B/S	400	280	180	340	220	140	335	275	9	320	200	34
FJB435/S	460	270	220	400	210	180	395	265	9	380	190	42
FJB445-A/S	410	310	220	350	250	180	345	315	9	330	230	42
FJB445/S	450	370	224	390	310	180	385	365	9	370	290	56
FJB546/S	600	340	244	530	270	200	525	325	11	510	250	70
FJB556-A/S	500	440	250	430	370	200	425	425	11	410	350	82
FJB556-B/S	560	470	250	490	400	200	485	455	11	470	380	96
FJB646/S	710	330	290	630	250	240	625	305	11	610	230	103
FJB656/S	710	420	297	690	340	240	685	395	13	670	320	146
FJB666/S	780	530	305	700	450	240	675	520	15	680	430	207
FJB768/S	1120	670	450	1020	570	380	1000	650	15	1000	550	432

## TECHNICAL DRAWINGS



These enclosures are sold with controls and terminals fitted. Empty enclosures are not available for sale.

## OPERATORS

We have a wide range of operators including pilot lights, push buttons, illuminated push buttons, switches and C/B handles suitable for use within our Ex d enclosures.



# Ex d Enclosures

Zones 1 & 2, 21 & 22

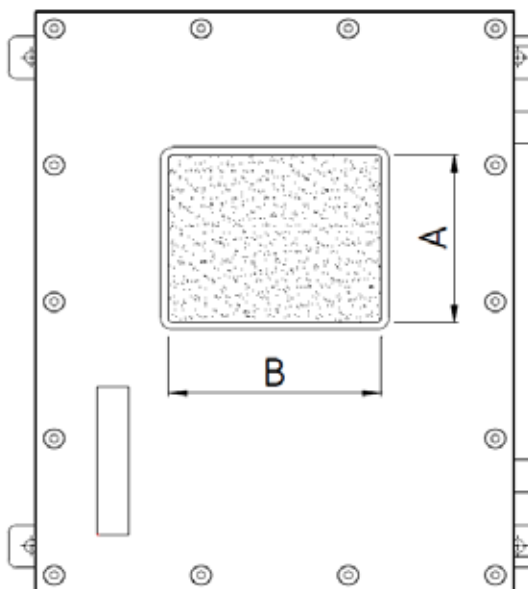
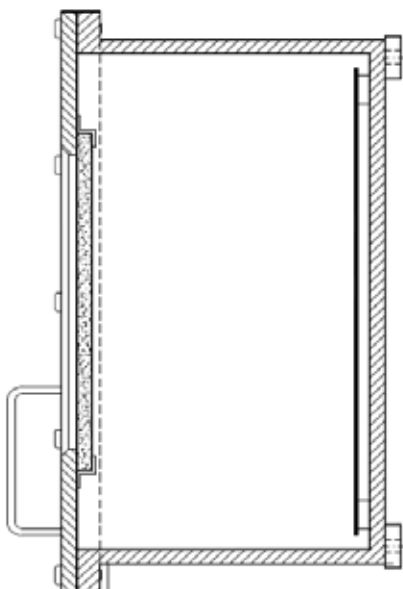


## WINDOWS - SQUARE OR RECTANGULAR

Window Size	Usable Opening		FJB234/S	FJB434-A/S	FJB434-B/S	FJB435/S	FJB445-A/S	FJB445/S	FJB546/S	FJB556-A/S	FJB556-B/S	FJB646/S	FJB656/S	FJB666/S	FJB768/S
	A	B													
78 x 78	48	48	•	•	•	•	•	•	•	•	•	•	•	•	•
128 x 103	98	73	•	•	•	•	•	•	•	•	•	•	•	•	•
198 x 118	168	88		V	•	•	•	•	•	•	•	•	•	•	•
206 x 146	176	116		V	•	•	•	•	•	•	•	•	•	•	•
248 x 178	218	148			V	V	•	•	•	•	•	•	•	•	•
288 x 118	258	88			V	V	•	•	•	•	•	•	•	•	•
338 x 138	308	108			V	V		•	•	•	•	•	•	•	•
414 x 212	384	182			•				•	•	•	•	•	•	•

**Table 11**

• indicates mounting possible  
 V indicates mounting only possible with window out vertically



Other sizes, such as 40x70; 48x48; 96x48; 40x200; 48x150; 48x200; 60x60; 75x75; 75x110; 75x150; 80x150; 80x250; 100x200; 100x270; 150x150; 150x200; 175x380; 200x300, including within the listed sizes are available on request.

# Ex d Enclosures

Zones 1 & 2, 21 & 22

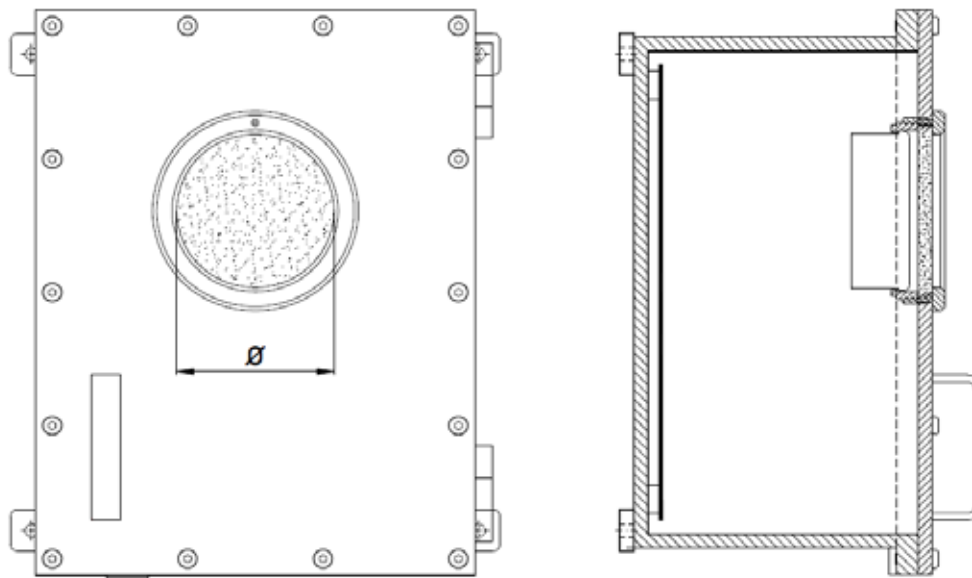


## WINDOWS - CIRCULAR

Window Size	Usable Porthole Diameter		FJB234/S	FJB434-A/S	FJB434-B/S	FJB435/S	FJB445-A/S	FJB445/S	FJB546/S	FJB556-A/S	FJB556-B/S	FJB646/S	FJB656/S	FJB666/S	FJB768/S
	da $\varnothing$	a $\varnothing$													
$\leq 50$	$\leq 42$		•	•	•	•	•	•	•	•	•	•	•	•	•
$50 < \pm \leq 70$	40	60	•	•	•	•	•	•	•	•	•	•	•	•	•
$70 < \pm \leq 115$	58	103	•	•	•	•	•	•	•	•	•	•	•	•	•
$115 < \pm \leq 215$	103	202	•	•	•	•	•	•	•	•	•	•	•	•	•

**Table 12**

• indicates mounting possible



Other sizes, such as  $\varnothing 70$ ;  $\varnothing 85$ ;  $\varnothing 90$ ;  $\varnothing 100$ ;  $\varnothing 120$ ;  $\varnothing 140$ ;  $\varnothing 150$ ;  $\varnothing 170$ ;  $\varnothing 180$ ;  $\varnothing 190$ , including within the listed sizes are available on request.

## AUSTRALIA

### Sales

T: 1300 Enclosures (1300 362 567)  
E: sales@brenclosures.com.au  
brenclosures.com.au

### QUEENSLAND

Brisbane Manufacturing, Sales & Warehouse  
51 Stradbroke Street  
Heathwood QLD 4110  
(PO Box 1151)  
Browns Plains BC QLD 4118  
T: +61 7 3714 1111  
E: salesqld@brenclosures.com.au

### NORTH QUEENSLAND

Townsville Sales & Warehouse  
Unit 4/ 780 Ingham Road  
Mount Louisa, QLD 4814  
(PO Box 7615)  
Garbutt QLD 4814  
T: +61 7 4727 1900  
E: salesvl@brenclosures.com.au

### NEW SOUTH WALES

NSW & ACT Sales & Warehouse  
7 Metters Place  
Wetherill Park NSW 2164  
T: +61 2 9915 9555  
E: salesnsw@brenclosures.com.au

### NEWCASTLE Distribution

Ross Joice Agencies Pty Ltd  
109-111 Broadmeadow Rd  
Broadmeadow NSW 2292  
T: +61 2 4961 4433

### VICTORIA

VIC & TAS Sales & Warehouse  
50-52 Sunmore Close  
Heatherton VIC 3202  
T: +61 3 9552 0552  
E: salesvic@brenclosures.com.au

### TASMANIA Distribution

W P Martin Pty Ltd  
85 Elizabeth Street  
Launceston TAS 7250  
T: +61 3 6331 5545

### SOUTH AUSTRALIA

SA & NT Manufacturing, Sales & Warehouse  
505 Grand Junction Road  
Wingfield SA 5013  
T: +61 8 8417 6222  
E: salessa@brenclosures.com.au

### NORTHERN TERRITORY Distribution

Jewell Distributors Pty Ltd  
Cnr Hidden Valley & Beaton Roads  
Berrimah NT 0828  
T: +61 8 8947 0870

### WESTERN AUSTRALIA

WA Sales Office & Warehouse  
6 Montgomery Way  
Malaga WA 6090  
T: +61 8 6310 4777  
E: saleswa@brenclosures.com.au

## NEW ZEALAND

### Sales

B&R Enclosures Limited  
T: 0800 Enclosures (0800 362 567)  
E: sales@brenclosures.co.nz  
brenclosures.co.nz

### AUCKLAND Distribution

Matchmaster  
Unit 6103 Cryers Road  
East Tamaki Auckland NZ 2013  
T: +64 9 265 2097  
E: sales@brenclosures.co.nz

### CHRISTCHURCH Distribution

Matchmaster  
17 Washbournes Road  
Wigram Christchurch NZ 8042  
T: +64 3 348 0659  
E: sales@brenclosures.co.nz

## CHINA

### B&R Enclosures (Suzhou) Co. Ltd

E: sales@brenclosures.com.cn  
brenclosures.com.cn

### SUZHOU

Manufacturing, Sales & Warehouse  
South Block, Building 23 Chuangtou  
Industrial Zone Heshun Road, SIP,  
Suzhou 215122

### PEOPLE'S REPUBLIC OF CHINA

T: +86 512 8718 2139  
E: sales@brenclosures.com.cn

## MIDDLE EAST

### Sales

B&R Gulf  
M: +966 503 496 592  
T: +966 381 2869 1 or +966 5034 9659 2  
E: sales@brgulf.com.sa  
brgulf.com

### DAMMAM Manufacturing, Sales & Warehouse

B&R Gulf  
Factory No. 12, Modon Buildings,  
King Salman Road, Industrial Area 3,  
Dammam, Saudi Arabia  
M: +966 503 496 592  
T: +966 381 2869 1 or +966 5034 9659 2  
E: sales@brgulf.com.sa  
brgulf.com