

B&R Enclosures
CONTROL STATIONS - STAINLESS STEEL

brenclosures.com.au

Control Stations - Stainless Steel

Pushbutton Enclosures with Mounting Flanges



- Designed to house pushbuttons in heavy duty industrial or harsh and demanding environments.
- Suitable for applications where an IP66 protection rating is required*
- Mounting flanges for ease of installation.
- Available with or without cut outs.
- Cut outs available as 22.5mm or 30.8mm.
- Up to 9 cut outs, dependent on enclosure size.
- Range of pushbuttons able to be fitted as part of the order.
- Earth stud included internally.
- Manufactured from 1.5mm 316 stainless steel with N4 surface finish.



*IP66 rating applies when fitted with appropriate IP rated pushbuttons or plug

ORDERING GUIDE

Part Number	Dimensions (mm)										Weight (kg)
	External		Internal	Mounting Centres		Body		Push Button Cut Outs	Cable Entries		
	Height (A)	Width (B)	Depth (C)	Useable Depth (D)	Height (E)	Width (F)	Height (G)				
CS11/S	152	97	93	90	132	67	112	90	-	-	1.1
CS12/S	199	97	93	90	179	67	159	90	-	-	1.5
CS13/S	245	97	93	90	225	67	205	90	-	-	1.8
CS14/S	290	97	93	90	270	67	250	90	-	-	2.0
CS16/S	383	97	93	90	363	67	343	90	-	-	2.7
CS11/SH22	152	97	93	90	132	67	112	90	1 x 22mm	1 x M20	1.1
CS12/SH22	199	97	93	90	179	67	159	90	2 x 22mm	1 x M20	1.5
CS13/SH22	245	97	93	90	225	67	205	90	3 x 22mm	1 x M25	1.8
CS14/SH22	290	97	93	90	270	67	250	90	4 x 22mm	1 x M25	2.0
CS16/SH22	383	97	93	90	363	67	343	90	6 x 22mm	1 x M25	2.7
CS33/SH22	245	272	93	90	225	197	205	90	9 x 22mm	2 x M25	3
CS11/SH30	152	97	93	90	132	67	112	90	1 x 30mm	1 x M20	1.1
CS12/SH30	199	97	93	90	179	67	159	9	2 x 30mm	1 x M20	1.5
CS13/SH30	245	97	93	90	225	67	205	265	3 x 30mm	1 x M25	1.8
CS14/SH30	290	97	93	90	270	67	250	90	4 x 30mm	1 x M25	2.0
CS16/SH30	383	97	93	90	363	67	343	90	6 x 30mm	1 x M25	2.7
CS33/SH30	245	272	93	90	225	197	205	265	9 x 30mm	2 x M25	3



Assembled product solution - dust cover (CSDC33/S), control station (CS33/SH30) and plug (CSP30/S)



CSDC33/S



CS33/SH30



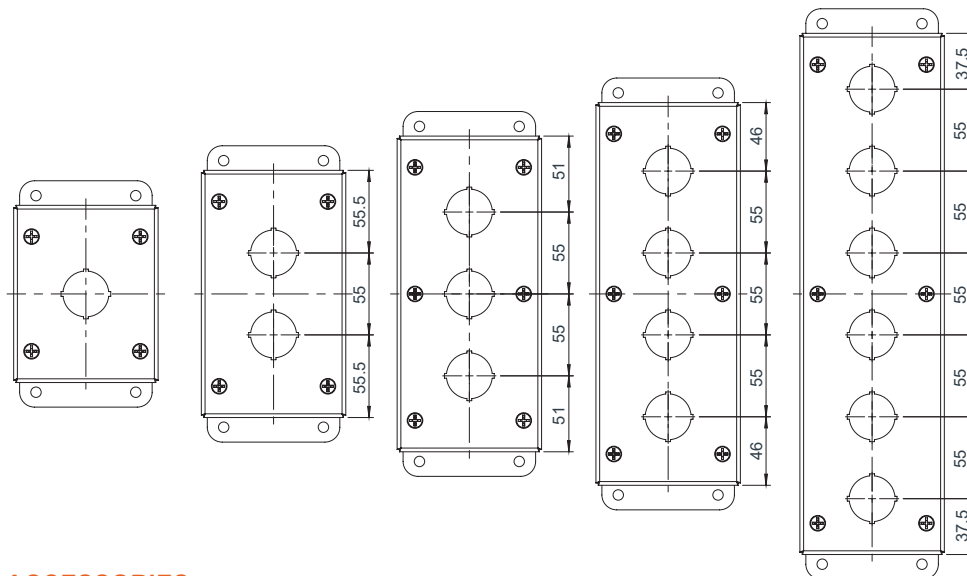
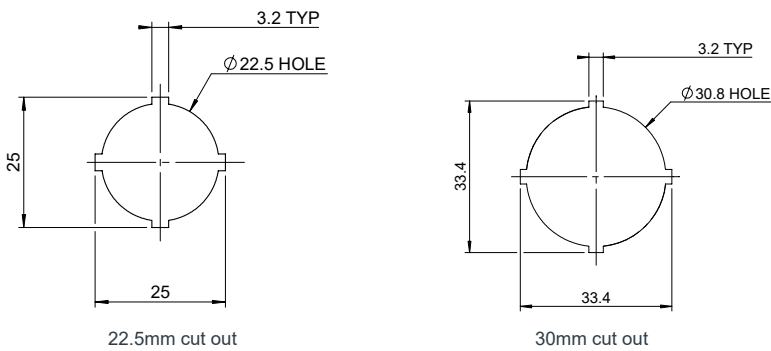
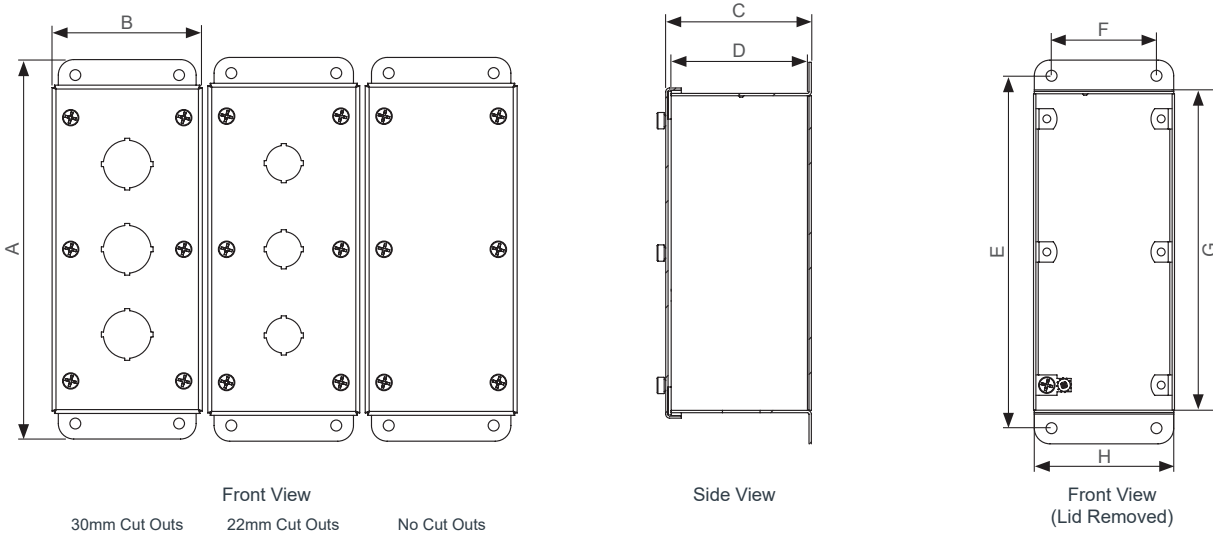
CSP30/S

Control Stations - Stainless Steel

Pushbutton Enclosures with Mounting Flanges



TECHNICAL DRAWINGS



ACCESSORIES

Part Number	Product	Dimensions (mm)			Weight (kg)
		Height	Width	Depth	
CSDC1-6/S	Dust cover suitable for CS1*	400	170	145	2.9
CSDC33/S	Dust cover suitable for CS3*	400	310	165	3.8
CSP22/S	M22 Plug	-	-	-	-
CSP30/S	M30 Plug	-	-	-	-

AUSTRALIA

Sales

T: 1300 Enclosures (1300 362 567)
E: sales@brenclosures.com.au
brenclosures.com.au

QUEENSLAND

Brisbane Manufacturing, Sales & Warehouse
51 Stradbroke Street
Heathwood QLD 4110
(PO Box 1151)
Browns Plains BC QLD 4118
T: +61 7 3714 1111
E: salesqld@brenclosures.com.au

NORTH QUEENSLAND

Townsville Sales & Warehouse
Unit 4 / 780 Ingham Road
Mount Louisa QLD 4814
(PO Box 7615)
Garbutt QLD 4814
T: +61 7 4727 1900
E: salestvl@brenclosures.com.au

NEW SOUTH WALES

NSW & ACT Sales & Warehouse
7 Metters Place Wetherill Park
NSW 2164
T: +61 2 9915 9555
E: salesnsw@brenclosures.com.au

NEWCASTLE Distribution
109-111 Broadmeadow Road
Broadmeadow NSW 2292
T: +61 2 4961 4433

VICTORIA

VIC & TAS Sales & Warehouse
50-52 Sunmore Close
Heatherton VIC 3202
T: +61 3 9552 0552
E: salesvic@brenclosures.com.au

TASMANIA Distribution

W P Martin Pty Ltd
85 Elizabeth Street
Launceston TAS 7250
T: +61 3 6331 5545

SOUTH AUSTRALIA

SA & NT Manufacturing, Sales & Warehouse
505 Grand Junction Road
Wingfield SA 5013
T: +61 8 8417 6222
E: salessa@brenclosures.com.au

NORTHERN TERRITORY Distribution

Cnr Hidden Valley & Beaton Roads
Berrimah NT 0828
T: +61 8 8947 0870

WESTERN AUSTRALIA

WA Sales Office & Warehouse
6 Montgomery Way
Malaga WA 6090
T: +61 8 6310 4777
E: saleswa@brenclosures.com.au

NEW ZEALAND

Sales
B&R Enclosures Limited
T: 0800 Enclosures (0800 362 567)
E: sales@brenclosures.co.nz
brenclosures.co.nz

AUCKLAND Distribution

Unit 6/103 Cryers Road
East Tamaki Auckland NZ 2013
T: +64 9 265 2097
E: sales@brenclosures.co.nz

CHRISTCHURCH Distribution

17 Washbournes Road
Wigram Christchurch NZ 8042
T: +64 3 348 0659
E: sales@brenclosures.co.nz

CHINA

Sales

B&R Enclosures (Suzhou) Co. Ltd
E: sales@brenclosures.com.cn
brenclosures.cn

SUZHOU

Suzhou Sales Office & Manufacturing
Building 45 Chuangtou Industrial Zone
SIP, Suzhou 215122
PEOPLE'S REPUBLIC OF CHINA
T: +86 512 8718 2139
E: sales@brenclosures.com.cn

MIDDLE EAST

Sales

B&R Gulf
M: +966 503 496 592
T: +966 381 2869 1 or +966 5034 9659 2
E: sales@brgulf.com.sa
brgulf.com

DAMMAM Manufacturing, Sales & Warehouse

B&R Gulf
Factory No. 12, Modon Buildings,
King Salman Road, Industrial Area 3,
Dammam, Saudi Arabia
M: +966 503 496 592
T: +966 381 2869 1 or +966 5034 9659 2
E: sales@brgulf.com.sa
brgulf.com