



**B&R Enclosures**  
**CONNECTOR TE**  
Zinc coated & 316 Stainless Steel

[brenclosures.com.au](http://brenclosures.com.au)

# Connector TE – Zinc Coated Steel

## Termination Enclosures



- Suitable for housing terminations, pushbuttons or switchgear in industrial or demanding environments.
- Designed for installations where smaller enclosures are required.
- Captive 316 stainless steel combo head screws, used to prevent loss when fastening.
- Provision for mounting DIN rails or a mounting pan, increasing application flexibility.
- Conformity, Approvals:  
Lloyds Register #06/10007 (E2)
- Manufactured from 1.2mm zinc coated steel.
- Powdercoated Pebble Grey RAL7032.

Comes standard with:

- Earth strap kit

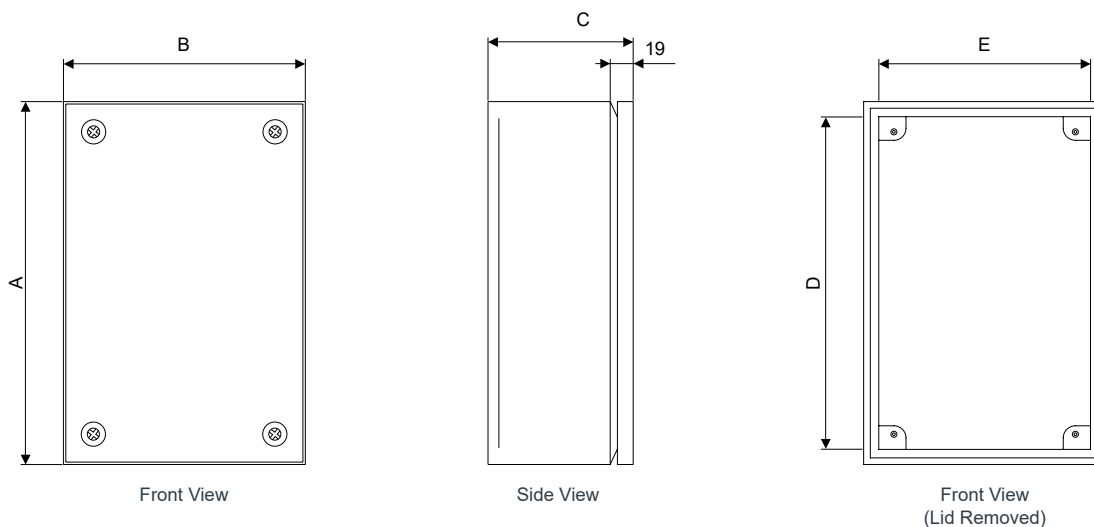


### ORDERING GUIDE

Part Number	Dimensions (mm)							
	External			Useable Depth		Opening Size		Weight (kg)
	Height (A)	Width (B)	Depth (C)	With DIN Rail*	With Mounting Pan*	Height (D)	Width (E)	
TE1108	150	150	80	47	60	125	125	1.2
TE3112	300	150	120	87	100	275	125	2.4
TE2212	200	200	120	87	100	175	175	2.2
TE3212	300	200	120	87	100	275	175	2.9
TE4212	400	200	120	87	100	375	175	3.6
TE6212	600	200	120	87	100	575	175	4.9

\* Mounting pan and DIN rail are available as optional extra

### TECHNICAL DRAWINGS



# Connector TE – Zinc Coated Steel

## Termination Enclosures



### ACCESSORIES

Product	Description	Part Number	Dimensions (mm)		TE1108	TE3112	TE2212	TE3212	TE4212	TE6212
			Height	Width						
Mounting pan – metal (powdercoated white)	2mm	TEMP11	123	120	•					
		TEMP22	173	170			•			
		TEMP31	273	120		•				
		TEMP32	273	170				•		
		TEMP42	373	170					•	
		TEMP62	573	170						•
DIN Rail	Aluminium	TED1	140	35	•					
		TED2	190	35			•			
		TED3	290	35		•	•			
		TED4	390	35					•	
		TED6	590	35						•
		Wall mounting brackets – 316 stainless steel	Set of 4 (1 Tonne SWL)	MEB/S	–	–	•	•	•	•
Touch up paint (300g)	Pebble Grey RAL7032	TUP/P20	–	–	•	•	•	•	•	•



Metal mounting pan



DIN Rail



MEB/S (set of 4)

# Connector TE – 316 Stainless Steel Termination Enclosures



- Suitable for housing terminations, pushbuttons or switchgear in industrial or demanding environments.
- Designed for installations where smaller enclosures are required.
- Captive 316 stainless steel combo head screws, used to prevent loss when fastening.
- Provision for mounting DIN rails or a mounting pan, increasing application flexibility.
- Conformity, Approvals:  
Lloyds Register #06/10007 (E2)
- Manufactured from 1.2mm 316 stainless steel.
- Powdercoated N4 surface finish.

Comes standard with:

- Earth strap kit

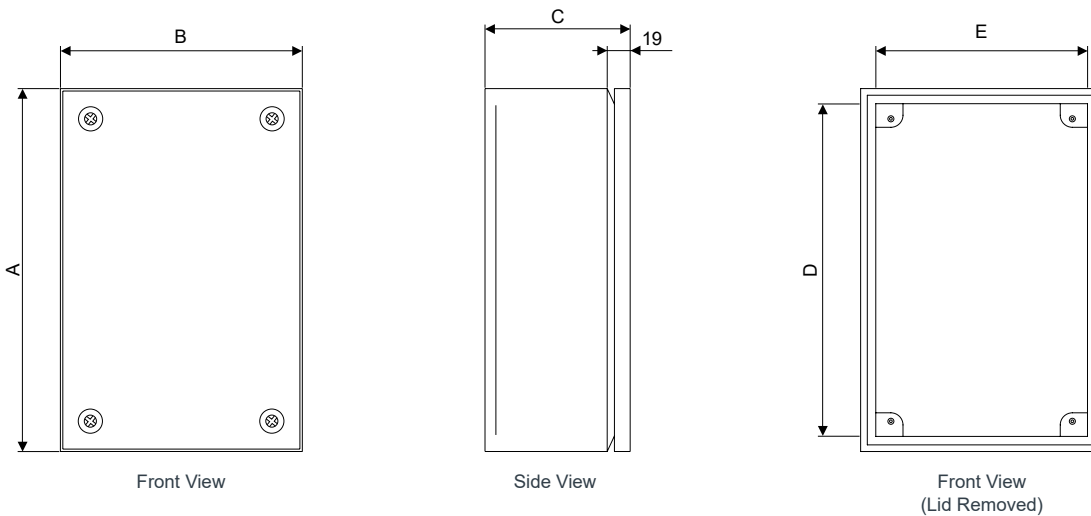


## ORDERING GUIDE

Part Number	Dimensions (mm)							
	External			Useable Depth		Opening Size		Weight (kg)
	Height (A)	Width (B)	Depth (C)	With DIN Rail*	With Mounting Pan*	Height (D)	Width (E)	
TE1108/S	150	150	80	47	60	125	125	1.2
TE3112/S	300	150	120	87	100	275	125	2.4
TE2212/S	200	200	120	87	100	175	175	2.2
TE3212/S	300	200	120	87	100	275	175	2.9
TE4212/S	400	200	120	87	100	375	175	3.6
TE6212/S	600	200	120	87	100	575	175	4.9

\* Mounting pan and DIN rail are available as optional extra

## TECHNICAL DRAWINGS



# Connector TE – 316 Stainless Steel

## Termination Enclosures



### ACCESSORIES

Product	Description	Part Number	Dimensions (mm)		TE1108/S	TE3112/S	TE2212/S	TE3212/S	TE4212/S	TE6212/S
			Height	Width						
Mounting pan – 2mm (powdercoated white)	Metal	TEMP11	123	120	•					
		TEMP22	173	170			•			
		TEMP31	273	120		•				
		TEMP32	273	170				•		
		TEMP42	373	170					•	
		TEMP62	573	170						•
DIN Rail	Aluminium	TED1	140	35	•					
		TED2	190	35			•			
		TED3	290	35		•	•			
		TED4	390	35					•	
		TED6	590	35						•
		Wall mounting brackets – 316 stainless steel	Set of 4 (1 Tonne SWL)	MEB/S	–	–	•	•	•	•



Metal mounting pan



DIN Rail



MEB/S (set of 4)

## AUSTRALIA

Sales  
T: 1300 Enclosures (1300 362 567)  
E: sales@brenclosures.com.au  
brenclosures.com.au

**QUEENSLAND**  
Brisbane Manufacturing, Sales & Warehouse  
51 Stradbroke Street  
Heathwood QLD 4110  
(PO Box 1151)  
Browns Plains BC QLD 4118  
T: +61 7 3714 1111  
E: salesqld@brenclosures.com.au

**NORTH QUEENSLAND**  
Townsville Sales & Warehouse  
Unit 4 / 780 Ingham Road  
Mount Louisa QLD 4814  
(PO Box 7615)  
Garbutt QLD 4814  
T: +61 7 4727 1900  
E: salestvl@brenclosures.com.au

**NEW SOUTH WALES**  
NSW & ACT Sales & Warehouse  
7 Metters Place Wetherill Park  
NSW 2164  
T: +61 2 9915 9555  
E: salesnsw@brenclosures.com.au

**NEWCASTLE** Distribution  
109-111 Broadmeadow Road  
Broadmeadow NSW 2292  
T: +61 2 4961 4433

**VICTORIA**  
VIC & TAS Sales & Warehouse  
50-52 Sunmore Close  
Heatherston VIC 3202  
T: +61 3 9552 0552  
E: salesvic@brenclosures.com.au

**TASMANIA** Distribution  
W P Martin Pty Ltd  
85 Elizabeth Street  
Launceston TAS 7250  
T: +61 3 6331 5545

**SOUTH AUSTRALIA**  
SA & NT Manufacturing, Sales & Warehouse  
505 Grand Junction Road  
Wingfield SA 5013  
T: +61 8 8417 6222  
E: salessa@brenclosures.com.au

**NORTHERN TERRITORY** Distribution  
Cnr Hidden Valley & Beaton Roads  
Berrimah NT 0828  
T: +61 8 8947 0870

**WESTERN AUSTRALIA**  
WA Sales Office & Warehouse  
6 Montgomery Way  
Malaga WA 6090  
T: +61 8 6310 4777  
E: saleswa@brenclosures.com.au

## NEW ZEALAND

Sales  
B&R Enclosures Limited  
T: 0800 Enclosures (0800 362 567)  
E: sales@brenclosures.co.nz  
brenclosures.co.nz

**AUCKLAND** Distribution  
Unit 6/103 Cryers Road  
East Tamaki Auckland NZ 2013  
T: +64 9 265 2097  
E: sales@brenclosures.co.nz

**CHRISTCHURCH** Distribution  
17 Washbournes Road  
Wigram Christchurch NZ 8042  
T: +64 3 348 0659  
E: sales@brenclosures.co.nz

## CHINA

Sales  
B&R Enclosures (Suzhou) Co. Ltd  
E: sales@brenclosures.com.cn  
brenclosures.cn

**SUZHOU**  
Suzhou Sales Office & Manufacturing  
Building 45 Chuangtou Industrial Zone  
SIP, Suzhou 215122  
PEOPLE'S REPUBLIC OF CHINA  
T: +86 512 8718 2139  
E: sales@brenclosures.com.cn

## MIDDLE EAST

Sales  
B&R Gulf  
M: +966 503 496 592  
T: +966 381 2869 1 or +966 5034 9659 2  
E: sales@brgulf.com.sa  
brgulf.com

**DAMMAM** Manufacturing, Sales & Warehouse  
B&R Gulf  
Factory No. 12, Modon Buildings,  
King Salman Road, Industrial Area 3,  
Dammam, Saudi Arabia  
M: +966 503 496 592  
T: +966 381 2869 1 or +966 5034 9659 2  
E: sales@brgulf.com.sa  
brgulf.com