



INDUSTRIAL

HAZARDOUS
AREAS

DATA ICT

RESIDENTIAL
COMMERCIAL



B&R Enclosures

CAUTION AUDIO & VISUAL BBJ SERIES LED

brenclosures.com.au

BBJ Series Caution Audio & Visual LED

Zones 1 & 2



features & benefits

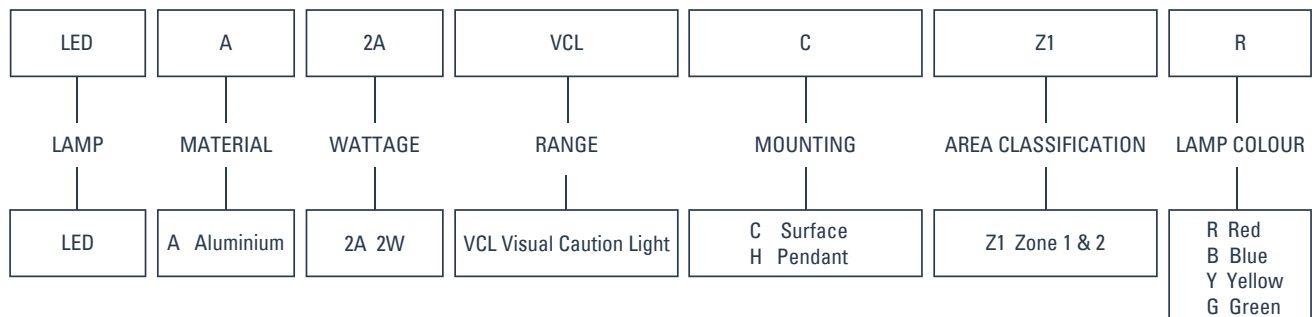
- Ultra bright LED lamps
- Energy efficient
- Low power consumption
- Lamp power 2W
- Flash frequency of 150 times per minute
- 100 - 120 dB (R = 1M)
- Available in red, blue, yellow or green lamp colours
- Toughened glass withstands 4J impact
- Copper-free aluminium alloy powdercoated enclosure
- Stainless steel fasteners
- Powdercoated Window Grey RAL7040

applications

- Petrochemical, metallurgical, power generation and manufacturing industries.
- Oil refineries, offshore production, drilling platforms, fuel depots, chemical plants, including pesticides and fertilisers, paint manufacturing plants, spray booths, service stations, vehicle manufacturing, oxygen and acetylene production, airport hangars, above ground coal mining, sewerage treatment plants, pumping stations, distilleries.

PROTECTION RATINGS	CERTIFICATION	AMBIENT TEMPERATURE	RATED VOLTAGE	RANGE
Ex d [ib] ib IIC T6 Ex d Gb IIC IP65	IECEX CQM 11.0023	-20°C ~ +55°C	AC 220-240V, 50/60Hz	BBJ Series

part number convention



BBJ Series Caution Audio & Visual LED

Zones 1 & 2

electrical parameters

Product type	Mounting	Rated input voltage (VAC)	Voltage frequency (Hz)	Rated power (W)	Cable Entries
LEDA2	Pendant	220 - 240	50/60	2	2 x M25
LEDA2	Surface	220 - 240	50/60	2	1 x M25

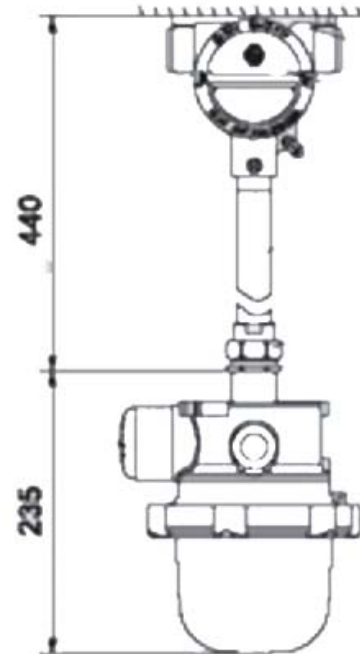
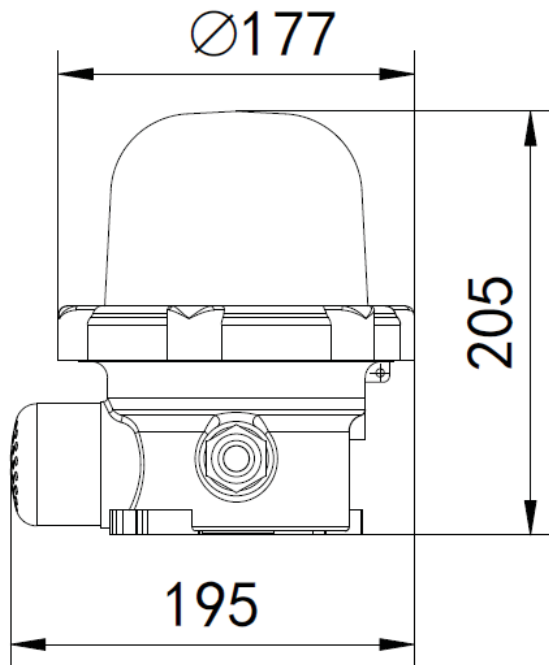
other parameters

Product type	Mounting	Size (mm)	Weight (kg)	Ambient Temperature (°C)	Temp classification	IP code
LEDA2	Pendant	205 x 195 x 140	4.6	-20°C ~ +55°C	T6	65
LEDA2	Surface	205 x 195 x 140	3	-20°C ~ +55°C	T6	65

BBJ Series Caution Audio & Visual LED

Zones 1 & 2

dimensional drawings



AUSTRALIA

Sales

T: 1300 Enclosures (1300 362 567)
F: 1300 796 599
E: sales@brenclosures.com.au
brenclosures.com.au

QUEENSLAND

Brisbane Manufacturing, Sales & Warehouse
51 Stradbroke Street
Heathwood QLD 4110
(PO Box 1151)
Browns Plains BC QLD 4118
T: +61 7 3714 1111
E: salesqld@brenclosures.com.au

NORTH QUEENSLAND

Townsville Sales & Warehouse
Unit 4/ 780 Ingham Rd, Mount Louisa
PO Box 7615, Garbutt QLD 4814
T: +61 7 4727 1900
E: salestvl@brenclosures.com.au

NEW SOUTH WALES

NSW & ACT Sales & Warehouse
Unit 12/ 100 Belmore Road North
(PO Box 192)
Riverwood NSW 2210
T: +61 2 9915 9555
E: salesnsw@brenclosures.com.au

NEWCASTLE Distribution

Ross Joice Agencies Pty Ltd
109-111 Broadmeadow Road
Broadmeadow NSW 2292
T: +61 2 4961 4433

VICTORIA

VIC & TAS Sales & Warehouse
50-52 Sunmore Close
Heatherton VIC 3202
T: +61 3 9552 0552
E: salesvic@brenclosures.com.au

TASMANIA Distribution

W P Martin Pty Ltd
85 Elizabeth Street
Launceston TAS 7250
T: +61 3 6331 5545

SOUTH AUSTRALIA

SA & NT Manufacturing, Sales & Warehouse
505 Grand Junction Road
Wingfield SA 5013
T: +61 8 8417 6222
E: salessa@brenclosures.com.au

NORTHERN TERRITORY Distribution

Jewell Distributors Pty Ltd
Cnr Hidden Valley & Beaton Roads
Berrimah NT 0828
T: +61 8 8947 0870

WESTERN AUSTRALIA

WA Sales Office & Warehouse
6 Montgomery Way
Malaga WA 6090
T: +61 8 6310 4777
E: saleswa@brenclosures.com.au

NEW ZEALAND

Sales

B&R Enclosures Limited
T: 0800 Enclosures (0800 362 567)
E: sales@brenclosures.co.nz
brenclosures.co.nz

AUCKLAND Distribution

Matchmaster
Unit 6103 Cryers Road
East Tamaki Auckland NZ 2013
T: +64 9 265 2097
F: +64 9 265 2437
E: sales@brenclosures.co.nz

CHRISTCHURCH Distribution

Matchmaster
17 Washbournes Road
Wigram Christchurch NZ 8042
T: +64 3 348 0659
F: +64 3 348 4043
E: sales@brenclosures.co.nz

CHINA

B&R Enclosures (Suzhou) Co. Ltd
E: sales@brenclosures.com.cn
brenclosures.com.cn

SUZHOU

Manufacturing, Sales & Warehouse
Building 45,
Chuangtuo Industrial Zone, SIP,
Suzhou 215122
PEOPLE'S REPUBLIC OF CHINA
T: +86 512 8718 2139
F: +86 512 8718 2140
E: sales@brenclosures.com.cn

SOUTH EAST ASIA

Sales

Manufacturing, Sales & Warehouse
B&R Enclosures SDN BHD
No.38-1, Puchong Gateway Square,
Jalan Suria Puchong 4
Pusat Perniagaan Suria Puchong
47110, Puchong, Selangor, Malaysia
M: +601 2350 2568
T: +603 8958 3923
F: +603 8958 3223
E: sales@brenclosures.com.my
brenclosures.com.my

MALAYSIA Distribution

MTW Controls SDN BHD
42 Puchong Gateway Square
Jalan Suria Puchong 4
47110 Puchong Darul Ehsan
Kuala Lumpur, MALAYSIA
M: +601 227 7637 3
E: ckwoon@mtwcontrols.com.my

INDONESIA Distribution (Office)

P.T Reitama Engineering
Jl. Margonda Raya No. 139
Depok, INDONESIA 16413
T: +62 21 7783 7078 (Hunting)
F: +62 21 7783 7079
M: +62 81 1979 7772
E: sales@reitama-engineering.com

MIDDLE EAST

Sales

Manufacturing, Sales & Warehouse
B&R Gulf
M: +966 503 496 592
T: +966 381 2869 1 or +966 5034 9659 2
E: sales@brgulf.com
brgulf.com

OMAN Distribution

Global Corp Enterprices LLC
PO Box 1524
Al Khuwair, OMAN
M: +968 9929 4323
E: rakesh@globalcorpoman.com

QATAR Distribution

Petrogulf WLL
Doha, QATAR
M: +974 7478 6481
T: +974 4435 0151, +974 4435 152 or +974 4435 0948
F: +974 4435 0140
E: info@petrogulf.org

