

Ausrack Cable Management - Horizontal



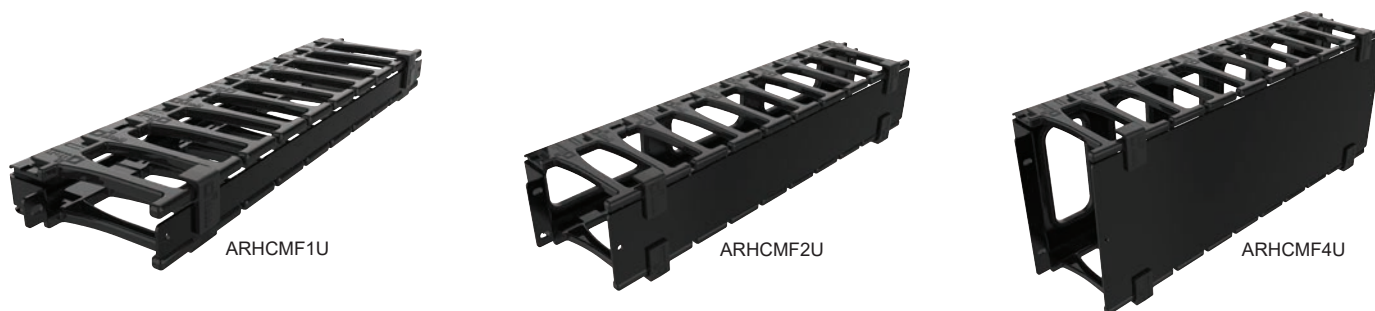
- Designed for use in high density cabling applications.
- Ausrack data cabinets are enhanced with the addition of vertical and horizontal cable management solutions.
- Products are sold as complete units.
- Powdercoated textured matte black.

ORDERING GUIDE

Part Number	RU	Width (mm)	Depth (mm)	Description	To suit cabinets & frames
-------------	----	------------	------------	-------------	---------------------------

Horizontal Cable Management

ARHCMF1U	1	480	125	Mounts on equipment rails 90mm finger length	All 19" racks
ARHCMF2U	2	480	125		
ARHCMF4U [▲]	4	480	125		



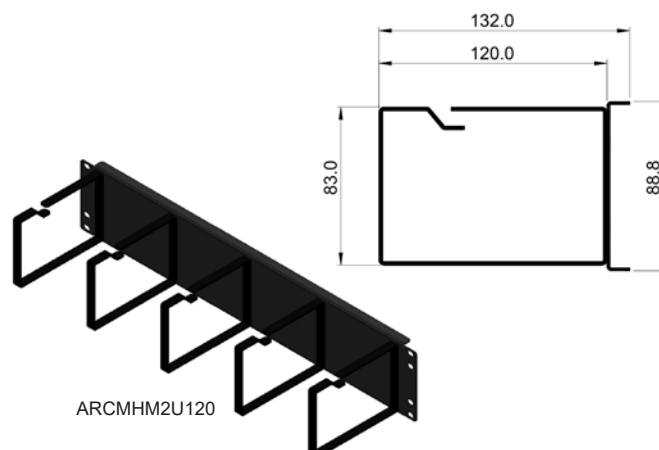
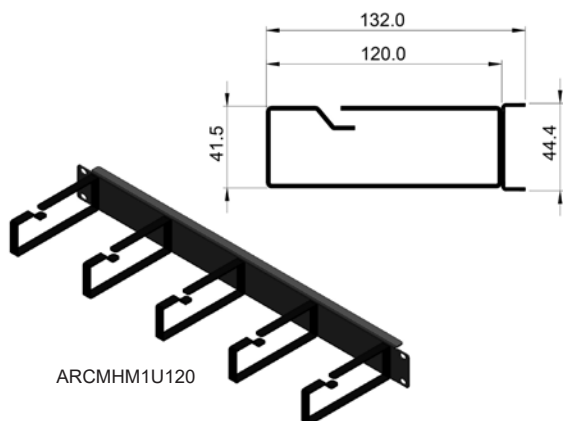
Horizontal Cable Management Extended Finger / Cover Pane

ARHCMFX1U [▲]	1		Extended finger 150mm finger length	All 19" racks
ARHCMFX2U [▲]	2			
ARHCMFX4U [▲]	4			

Horizontal Cable Management Rings

ARCMHM1U120	1		Metal 120mm x 41.5mm ring	All 19" racks
ARCMHM2U120	2		Metal 120mm x 83mm ring	
ARPCMH1U	1		55mm x 30mm ring	

▲ Available on request



Ausrack Cable Management - Horizontal

Cable Management - Horizontal

Part Number	RU	Width (mm)	Depth (mm)	Description	To suit cabinets & frames
Cable Management Rings					
ARPCMR2S	–	161	96	Single zone	Ausrack Plus, CQr Guardian, TxD, Patch, IP, Field FE & iLINQ
ARPCMR3S [▲]	–	306	96	Single zone*	Ausrack Plus (excluding 600mm frame) & Patch
ARPCMR3D [▲]	–	306	250	Two zone*	
Cable Management Hanger					
ARPCMP24	–			24 patch lead hanger, 597mm	Stand alone product wall mount

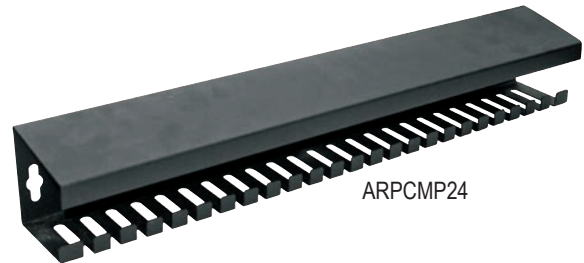
* Requires Cable Zone



ARPCMR2S



ARPCMR3S



ARPCMP24

Horizontal Cable Capacity

	Cable Capacity						
	Cat5e	Cat6	Cat6e	Cat7	Fibre	Power 10A	Power 15A
Diameter (mm) [#]	5.6	6.3	8.4	7.6	3	7	8.5
Saturation*	50%	50%	50%	50%	60%	40%	40%
ARHCMF1U	31	25	14	17	129	16	11
ARHCMF2U	99	79	44	54	414	51	35
ARHCMF4U	227	179	101	123	947	116	79
ARPCMH2U	46	36	20	26	188	24	16
ARPCMR2S	205	162	92	112	858	105	72
ARPCMR3S	431	340	192	234	1799	221	150
ARPCMR3D	1167	922	519	634	4877	598	405

Please Note: B&R Enclosures does not accept liability for any errors within the above table.

[#] These are nominal values for the OD of cable as sizes may vary.

* Recommended maximum cable saturation.

Ausrack Cable Management - Vertical



Part Number	RU	Width (mm)	Depth (mm)	Description	Mounting	To suit cabinets & frames (mm)
Vertical Cable Management System						
ARVCMS40U10	40	100	165	Cable zone required* U-Channel system with cable fingers, connection brackets and cover flaps 90mm finger length	Off posts or Horizontal mounting rails	Ausrack Plus, TxD, Patch, IP & iLINQ
ARVCMS45U10	45	100	165			Ausrack Plus, TxD, Patch & iLINQ
ARVCMS40U20 [▲]	40	200	165			Ausrack Plus & Patch
ARVCMS45U20 [▲]	45	200	165			
ARVCMS40U150 [▲]	40	150	198	Cable zone required* U-Channel system with cable fingers, connection brackets and cover flaps		Ausrack Plus & Patch
ARVCMS45U150 [▲]	45	150	198			
ARVCMSX40U10 [▲]	40	100	250	Cable zone required* Extended Finger 150mm finger length		Ausrack Plus, TxD, Patch & iLINQ
ARVCMSX45U10 [▲]	45	100	250			
ARVCMSX40U20 [▲]	40	200	250	Cable zone required* Extended Finger		Ausrack Plus & Patch
ARVCMSX45U20 [▲]	45	200	250			



ARVCMS40U10



ARVCMSX40U20

*Cable Zone Requirements for Different Rack/Cabinet Widths

Cabinet Width (mm)	Width of Cable Management System (mm)	Cable Zone Width Required (mm)
600	100	100 or 200
600	150	200
600	200	200
800	100	100
800	150	100
800	200	100

Vertical Cable Capacity

	Cable Capacity						
	Cat5e	Cat6	Cat6e	Cat7	Fibre	Power 10A	Power 15A
Diameter (mm) [#]	5.6	6.3	8.4	7.6	3	7	8.5
Saturation [*]	50%	50%	50%	50%	60%	40%	40%
ARVCMSxxU10	269	213	120	146	1125	138	94
ARVCMSxxU20	597	472	266	324	2495	306	208

Please Note: B&R Enclosures does not accept liability for any errors within the above table.

[#] These are nominal values for the OD of cable as sizes may vary.

^{*} Recommended maximum cable saturation.

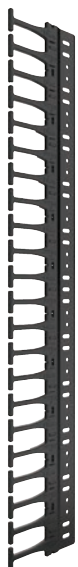
Ausrack Cable Management - Vertical

ORDERING GUIDE

Part Number	RU	Width (mm)	Depth (mm)	Description	Mounting	To suit cabinets & frames (mm)
Vertical Cable Management Fingers and Connection Bracket (90mm finger length)						
ARVCMF40U	40	15	180	2 sections (800mm + 889mm)	Outside of posts	Ausrack Plus
ARVCMF45U	45	15	180	2 sections (2 x 978mm)	Outside of posts	
ARVCMF40UR [▲]	40	20.5	122	2 sections (800mm + 889mm)	On L-shape equipment rails	TxD, IP & iLINQ
ARVCMF45UR	45	20.5	122	2 sections (2 x 978mm)	On L-shape equipment rails	
ARVCMF45U200	45	200	198	Cable zone required		Ausrack Plus

Vertical Cable Management Extended Finger/ Cover Panel (150mm finger length)						
ARVCMFX40U [▲]	40	15	250	Extended Finger		Ausrack Plus
ARVCMFX45U [▲]	45	15	250			TxD, IP & iLINQ
ARVCMFX40UR [▲]	40	20.5	250			
ARVCMFX45UR [▲]	45	20.2	250			

▲ Available on request



ARVCMF45U



ARVCMF45UR



ARVCMFX40UR