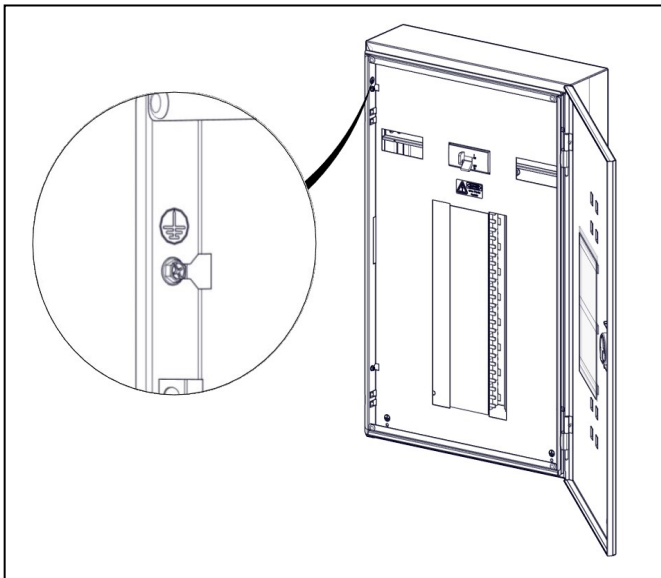


- 07** To remove the escutcheon, partially loosen the four mounting screws and pull out from the enclosure.



- 08** Ensure all four mounting screws are fully tightened to maintain earthing continuity.

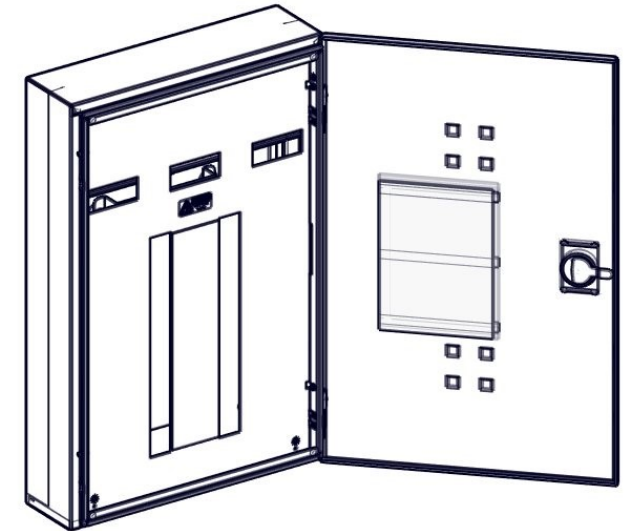


Panelboard Range

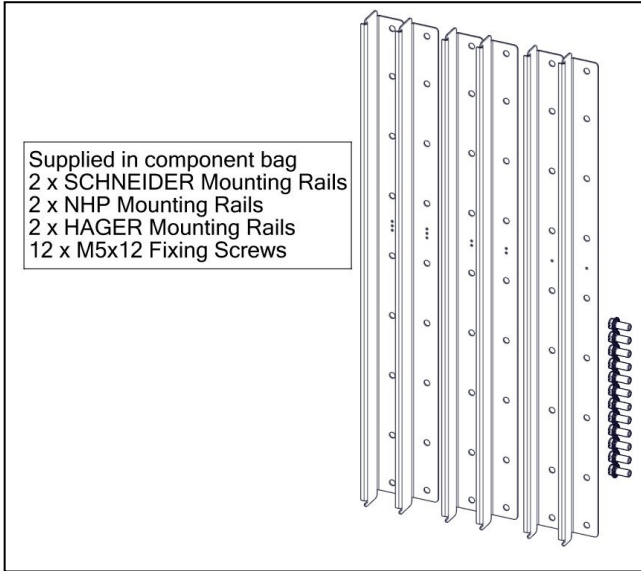
Econo Series

Installation Instructions

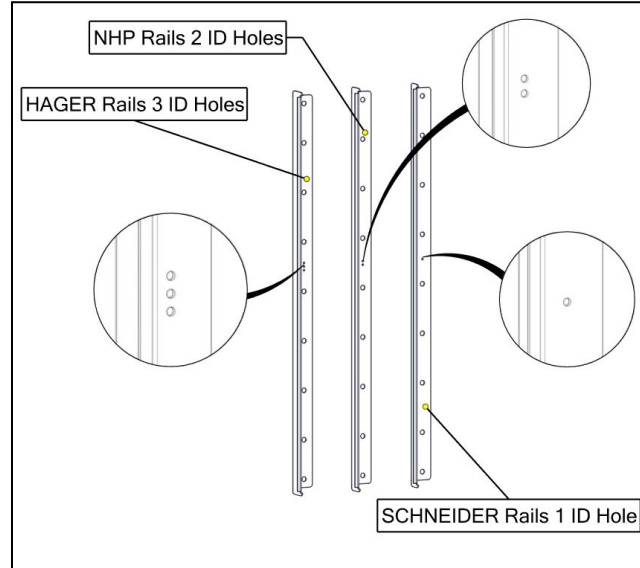
PBE24P
PBE36P
PBE48P



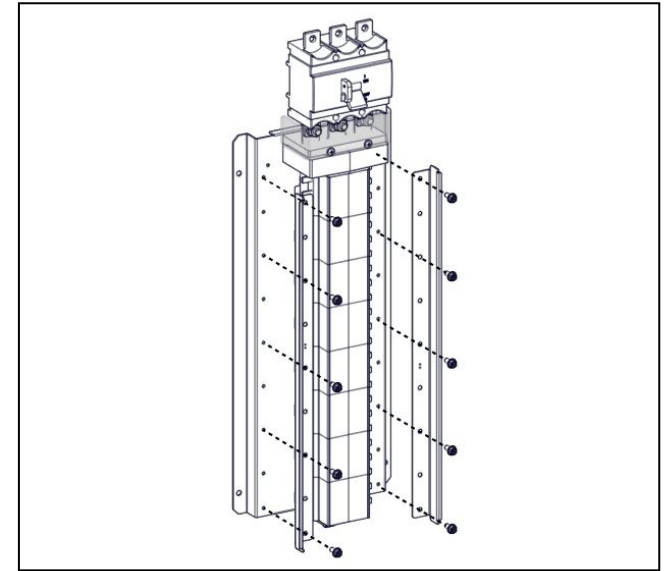
01 Chassis mounting rails and fixings.



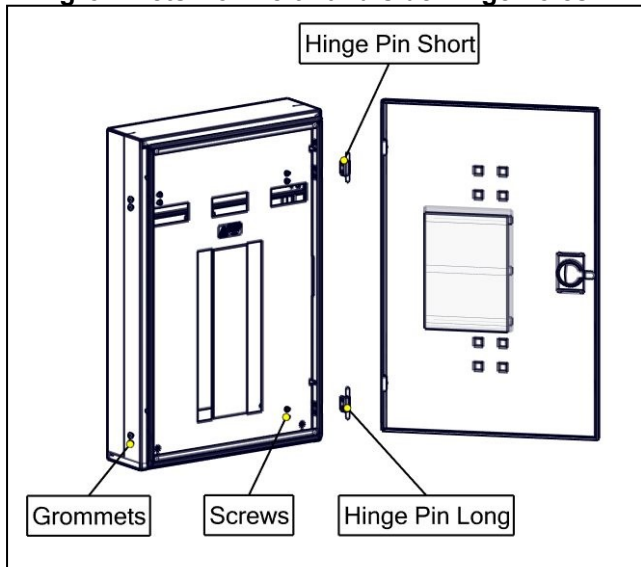
02 Mounting rails identification.



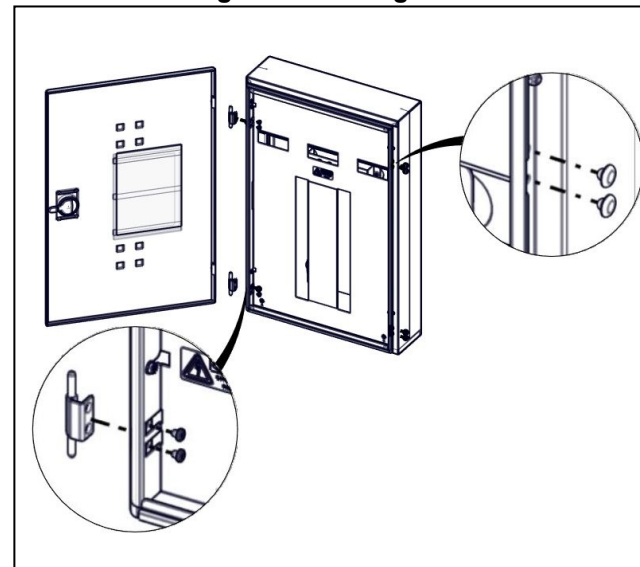
03 Fit the desired rails to chassis as shown using the screws provided.



04 Changing door to left hand hinge: Lift door off hinges, unscrew hinges and remove rubber grommets from left hand side hinge holes.



05 Screw hinges onto LH side with the long pin hinge on the bottom and refit the door. Cover RH side hinge holes with grommets.



06 Wall mounting details.

