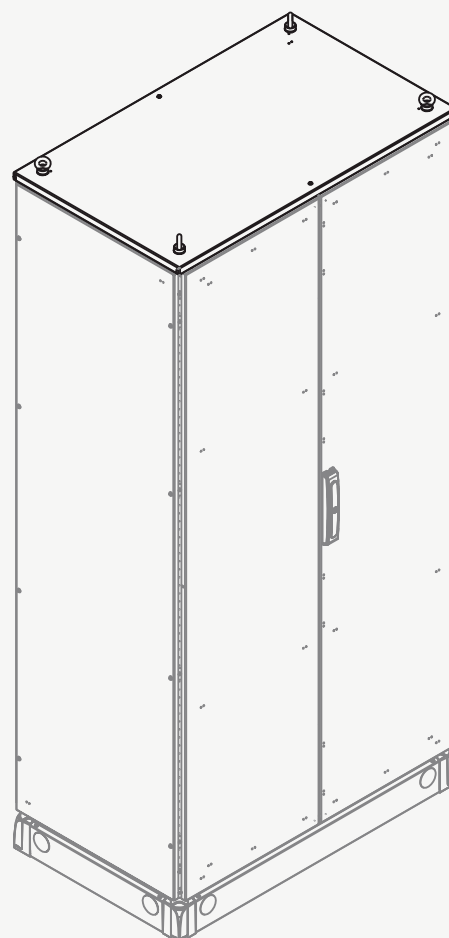


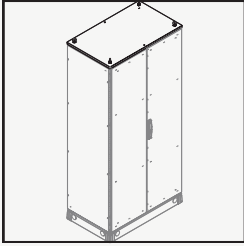
iLINQ : LQTF Flat Top Cover

Assembly Manual



Quick Reference

Top cover assembly	4-2-1
Fitting lifting bolts	4-2-6



iLINQ Flat Top Cover



Tools required:



x4

DRQ05654



x4

DRQ05653



x2*

DRJ10013



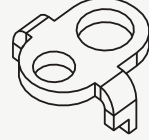
x4

RT5070



x4

DRJ05134



x4

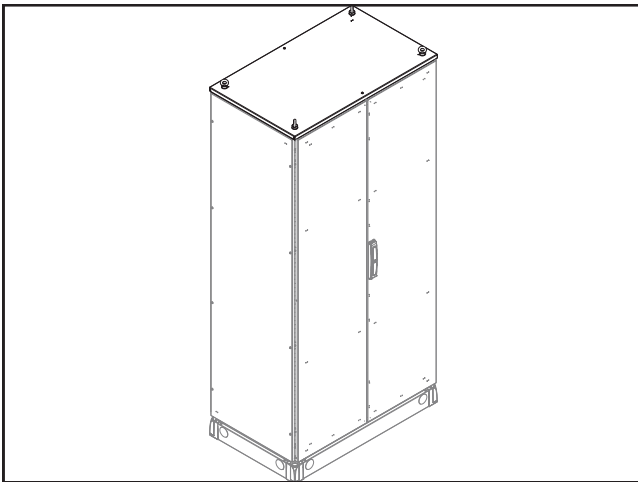
DAC10003

Referenced components:

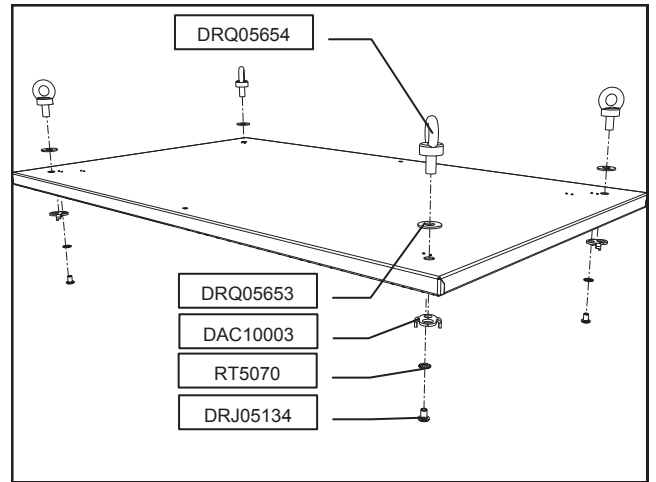
*1000mm wide or greater

Fitting Top Cover

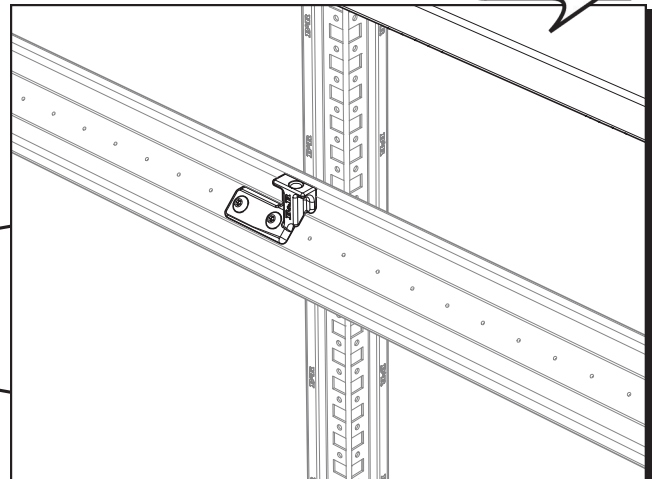
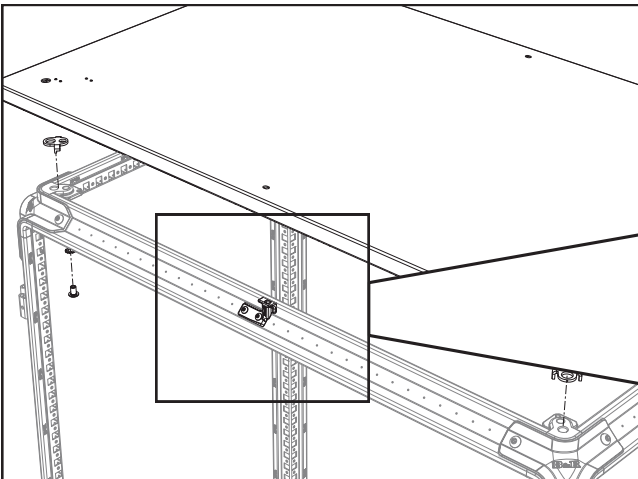
4-2-0



4-2-1



4-2-2

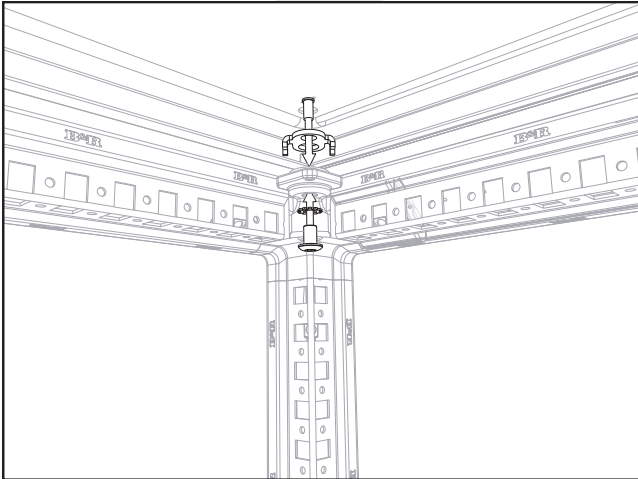


*Centre fixing on 1000mm wide or greater

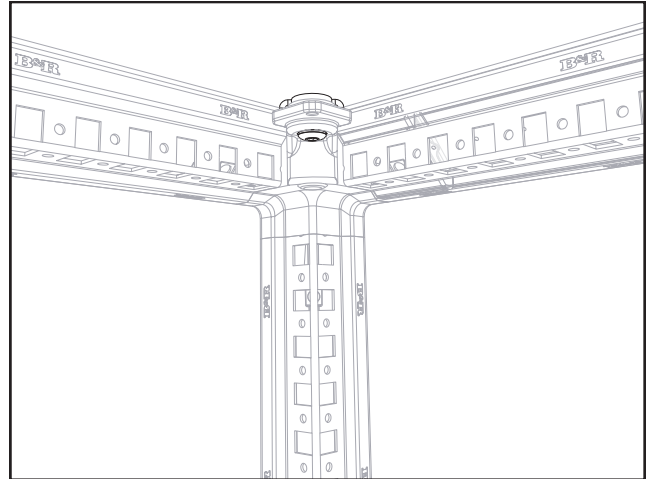
Fitting Top Cover



4-2-3



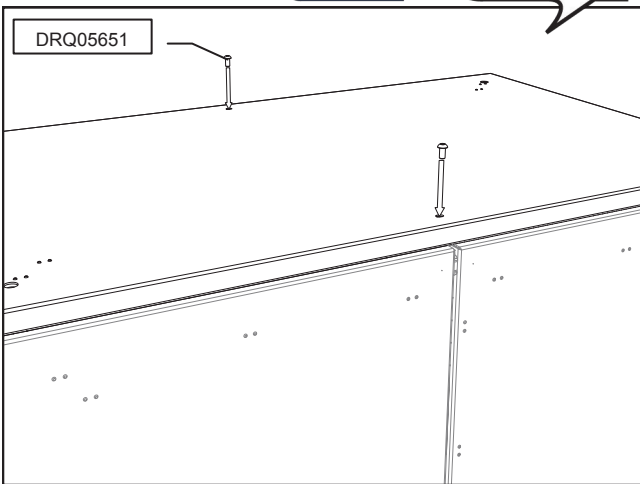
4-2-4



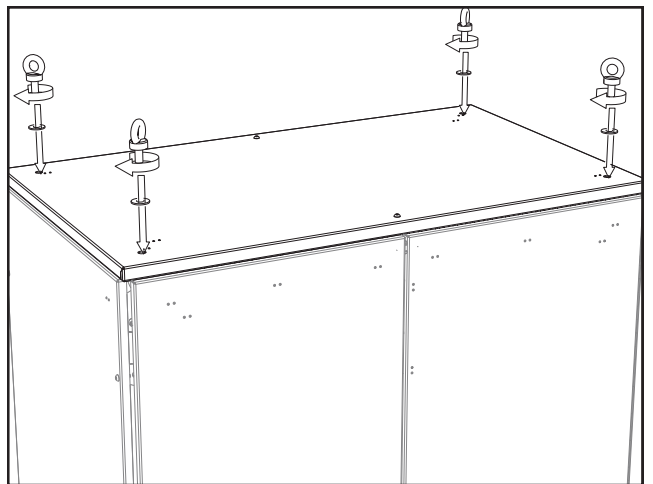
4-2-5



*1000mm wide or greater

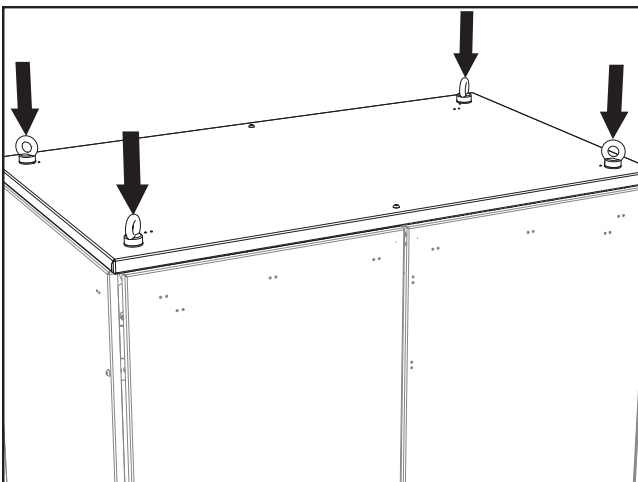


4-2-6

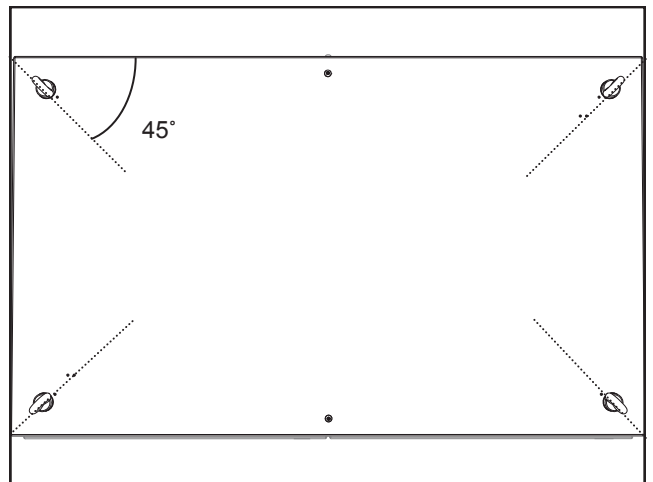


Angle lifting bolts 45°

4-2-7



4-2-8





7 (QFORVXUHV
EUHQFORVXUHV FRP DX

+H02IILFH
6WUDGEURNH 6WUHHW +HDWKZRRG 4/' - \$XVWUDOLD
7 7

6WUDGEURNH 6WUHHW +HDWKZRRG 4/' \$XVWUDOLD
7 7

8QLW - 6DOHV :DUHKRXVH 1RUWKHUQ 7HUULWRU\ ± 'LVWULEXWLRQ
,QJKDP 5RDG/DRXQ \$XVWUDOLD HZHOO 'LVWULEXWRUV 3W\ /WG
7 7

0HWWHUUV 3ODFH1:6HWKH \$XVWUDOLD 0RQWJRPHU\ :D\ 0DODJD :\$ \$XVWUDOLD
7 7