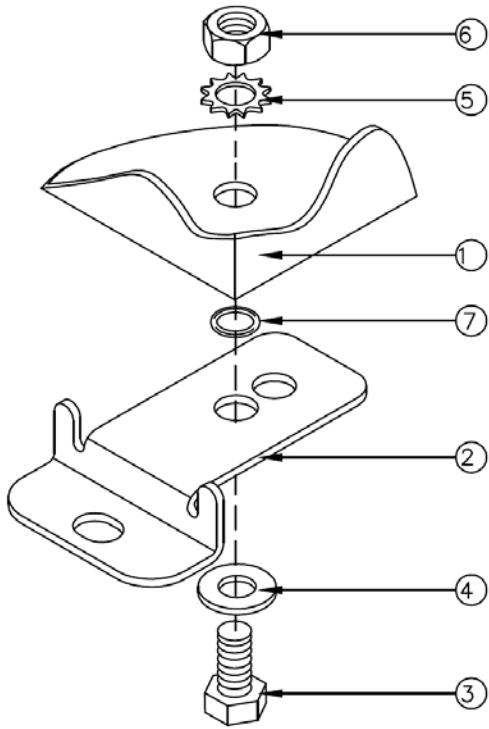
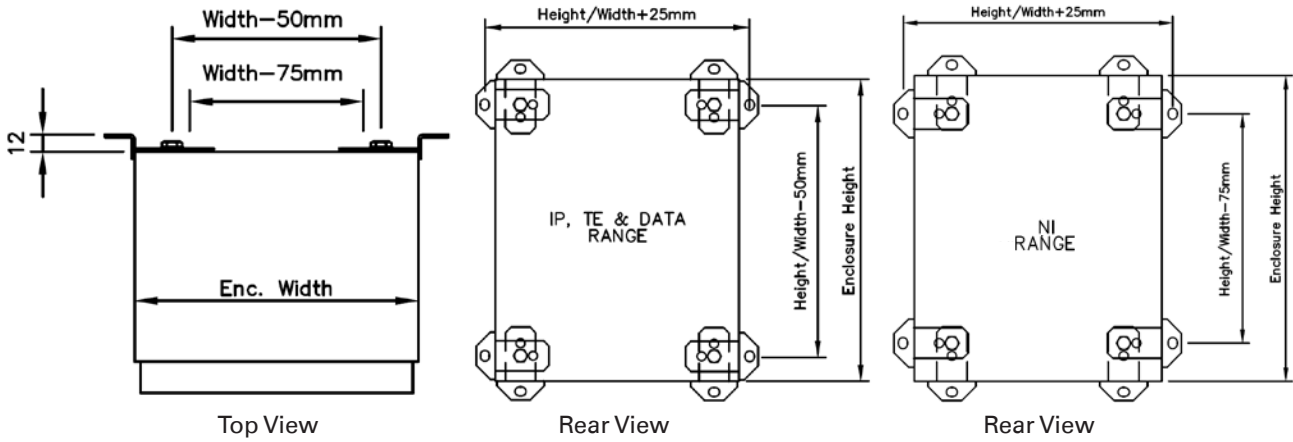


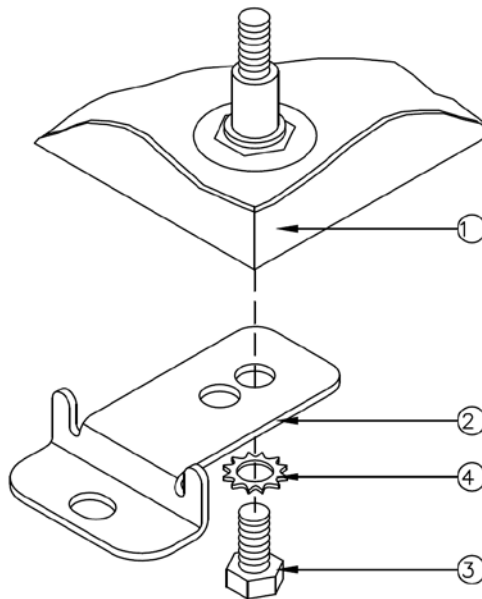
# MEB/S WALL MOUNTING BRACKETS



Suits a range of industrial and data enclosure products.



IP, TE & Data Range



NI Range

Description	Qty
1. Enclosure Body	-
2. Bracket	4
3. M8 x 16 St/Stl Hex Head Set Screw	4
4. M7 St/Stl Flat Washer	4
5. M8 External Star Washer	4
6. M8 St/Stl Hex Nut	4
7. O-Ring	4

**NOTE:** IP, TE and Data Range will require  $\varnothing 8$  holes drilled through the enclosure body in desired position (TE range has dimples in appropriate locations).