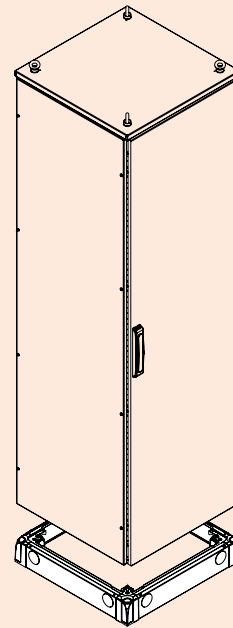


Plinth Kit - LQP



INCLUSIONS

- 4 diecast corner feet on 100mm high plinths
- 8 diecast corner feet on 200mm high plinths
- Levelling feet (4)
- Plinth foot corner covers
- Front and rear cladding only
 (additional side cladding can be found on page 44-45)
- All fixings



iLINO LQP Plinth Kit Assembly Manual
 « QR Download

ADVANTAGE

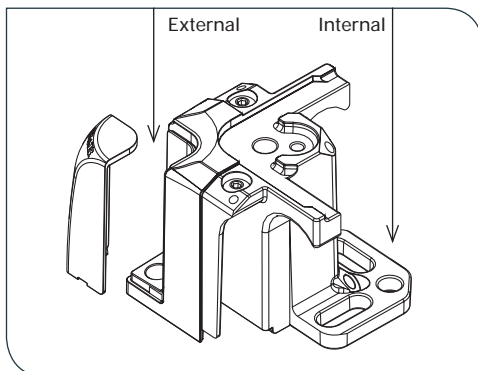
- Plinth cladding features 40mm pipe lifting access holes
- Designed to raise the enclosure off the floor to allow access to cabling
- Enclosure level/height can be adjusted internally without removing any components
- Removable cladding for pallet jack transport (available on most sizes)

MATERIALS

- Plinth feet – ZA27 diecast
- Plinth cladding – zinc coated steel
- Thickness – 1.2mm

FINISH

- Powdercoated Textured Matt Black



Plinth Corner easily accessible fixing points



DID YOU KNOW?

The plinth can be fixed to the ground through the plinth foot externally to the enclosure. This eliminates the need to remove gland plates to secure the enclosure.



HELPFUL HINT:

During installation, if pipe rollers are necessary to move in to place, then a steel base (LOPB see page 40-41) is recommended.

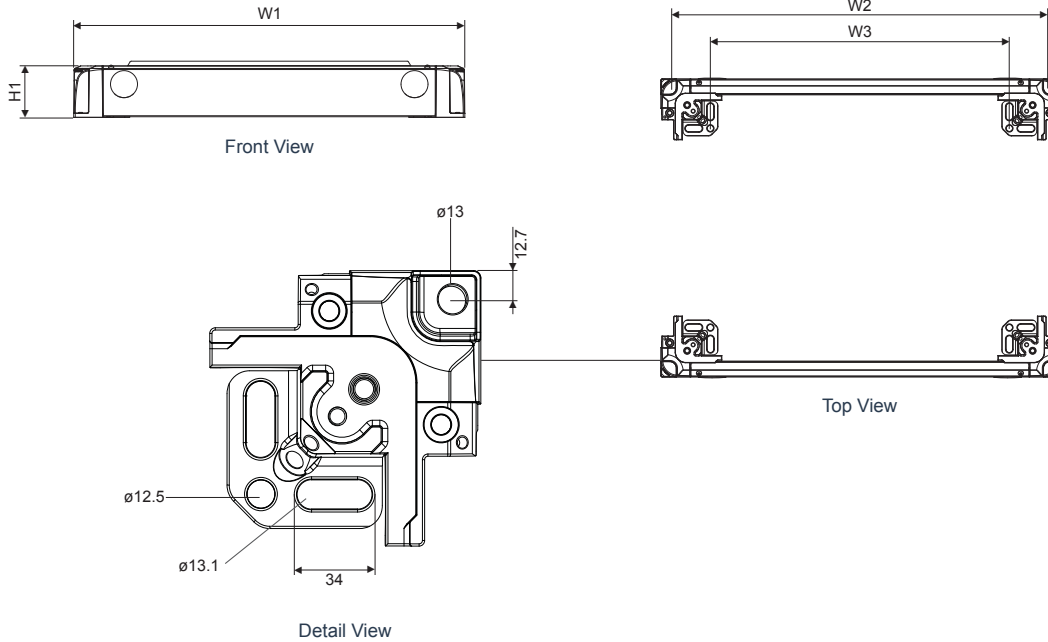


Plinth kits have removable cladding for easier cable access



51mm cut out for pipe lifting

PLINTH KIT WITH SOLID CLADDING



3.0 Assembled to Order

100MM HIGH

Catalogue No.	External Dimensions (mm)		Fixing Dimensions (mm)	
	Height (H1)	Width (W1)	Width (W2)	Width (W3)
LQP0104	100	398	372	199
LQP0105	100	498	472	299
LQP0106	100	598	572	399
LQP0108	100	798	772	599
LQP0110	100	998	972	799
LQP0112	100	1198	1172	999

200MM HIGH

Catalogue No.	External Dimensions (mm)		Fixing Dimensions (mm)	
	Height (H1)	Width (W1)	Width (W2)	Width (W3)
LQP0204	200	396	372	199
LQP0205	200	496	472	299
LQP0206	200	596	572	399
LQP0208	200	796	772	599
LQP0210	200	996	972	799
LQP0212	200	1196	1172	999

PLINTH ACCESSORIES

Catalogue No.	Description
LQPF	Die-cast corner foot kit (4)
LQPS02	Plinth stacking kit for 200mm high plinths



HELPFUL HINT:

The plinth kit comes with front and rear cladding only. Additional cladding panels can be found on page 44-45.