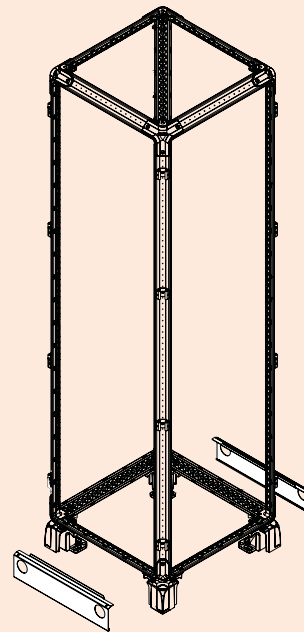


Plinth Cladding - LQPC

INCLUSIONS

- Plinth cladding (supplied singularly)
- All fixings



ADVANTAGE

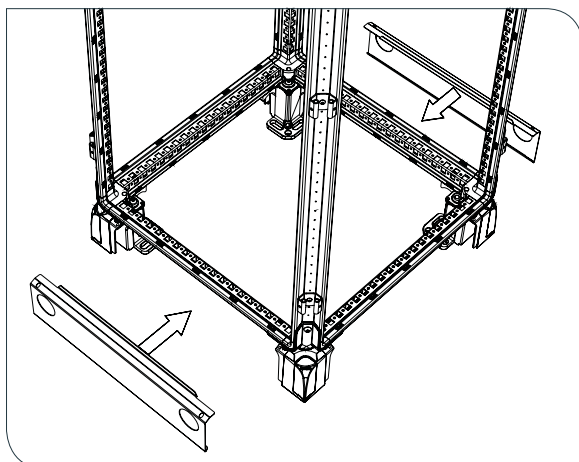
- Easy access to the bottom of the enclosure
- Access for pipe lifting
- Option of 100mm or 200mm high

MATERIALS

- Zinc coated steel
- Thickness – 1.2mm

FINISH

- Powdercoated Textured Matt Black

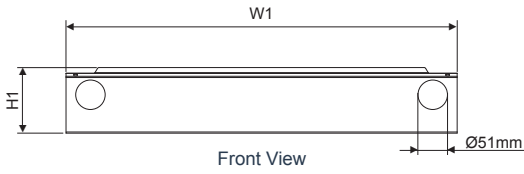


Cladding can be easily installed or removed



51mm pipe lifting cut-outs to suit 40mm pipes

SOLID PLINTH CLADDING



100MM HIGH

Catalogue No.	External Dimensions (mm)	
	Height (H1)	Width (W1)
LQPC0104	111	277
LQPC0105	111	377
LQPC0106	111	477
LQPC0108	111	677
LQPC0110	111	877
LQPC0112	111	1077

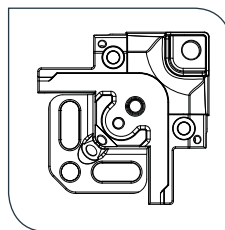
200MM HIGH

Catalogue No.	External Dimensions (mm)	
	Height (H1)	Width (W1)
LQPC0204	211	277
LQPC0205	211	377
LQPC0206	211	477
LQPC0208	211	677
LQPC0210	211	877
LQPC0212	211	1077

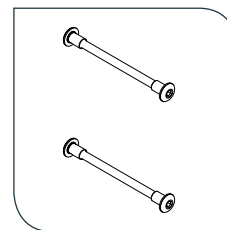
Please Note: 100mm and 200mm plinth cladding supplied singularly.

PLINTH ACCESSORIES

Catalogue No.	Description
LQPF	Die-cast corner foot kit (4)
LQPS02	Plinth stacking kit for 200 mm high plinths



LQPF



LQPS02