



B&R Enclosures
iLINQ CATALOGUE

| | |
|---|-------|
| Introduction | |
| B&R Overview & Capabilities | 2 |
| iLINQ Introduction | 4 |
| Design Approach | 6 |
| User Guide | 8 |
| | |
| 2.0 iLINQ Stand-Alone | |
| Component Overview & Ordering Guide | 14 |
| Single Door 400 Series - 400mm deep | 16 |
| Single Door 500 Series - 500mm deep | 17 |
| Single Door 600 Series - 600mm deep | 18 |
| Single Door 800 Series - 800mm deep | 19 |
| Double Door 400 Series - 400mm deep | 20 |
| Double Door 500 Series - 500mm deep | 21 |
| Double Door 600 Series - 600mm deep | 22 |
| Double Door 800 Series - 800mm deep | 23 |
| Single Door Enclosure Drawing | 24 |
| Double Door Enclosure Drawing | 25 |
| | |
| 3.0 iLINQ Assembled to Order | |
| Component Overview & Ordering Guide | 28 |
| Frame (LOF) | 30-31 |
| Single Door (LOD) | 32-33 |
| Double Door (LODD) | 34-35 |
| Cladding Panels (LQCF/CP) | 36-37 |
| Top Covers (LQTF/TV) | 38-39 |
| Plinth Base (LQPB) | 40-41 |
| Plinth Kit (LQP) | 42-43 |
| Plinth Cladding (LQPC) | 44-45 |
| Gland Plate Kit (LQ GK) | 46-47 |
| Gland Frame and Plates (LQGF/LQGP) | 48-49 |
| Gland Plate Adjustable (LQ GK/A) | 50-51 |
| Mounting Pan (LQMP) | 52-53 |
| Swing Frame (LQSF) | 54-55 |
| Swing Frame Small (LQSF/SML) | 56-57 |
| Swing Frame Trims (LQSS/SC) | 58-59 |
| 19" Rack Rails (LQRR) | 60-61 |
| Matrix Rail (LQRM) | 62-63 |
| Internal Rail System (LQRP/LQRD) | 64-65 |
| Hinged Escutcheon (LOHE) | 66-67 |
| Vertical Segregation Panels (LQVS) | 68-69 |
| Portrait Plan Holder (LQPH) | 70-71 |
| Laptop Lectern (LQLL) | 72-73 |
| Lighting (LQLK) | 74-75 |
| Accessories | 76-77 |
| | |
| 4.0 Climate Control | |
| EGO Series | 80 |
| FAN & FIL Series | 81 |
| WID Series | 82-83 |
| Accessories | 84-85 |
| | |
| 5.0 Product Index and Glossary | |
| Load/Lift Chart | 88 |
| IP Rating Chart | 89 |
| iLINQ Specification Guide -Stand-alone | 90 |
| iLINQ Specification Guide -Assembled to Order | 91 |
| Product Index | 92-96 |

Disclaimer

This catalogue has been prepared specifically for customers of the publisher and as a general reference only. B&R Enclosures Pty Ltd engages in a policy of continuous development and improvement of its products and reserves the right to alter, add and/or delete specifications of any products or equipment without notice and without incurring liability. The publisher and any party associated with the production of this catalogue do not accept any responsibility or liability whatsoever (to the extent permitted by law) for any inaccuracy, error, misinformation or misleading statements, whether negligently caused or otherwise, contained in this publication. This publication is protected by copyright and may not be reproduced or copied (using any method of reproduction or copying), sold, transmitted, circulated or otherwise forwarded to third parties, in whole or part, without prior written consent of the author. All registered trademarks and product names appearing herein are the property of the respective owners.

Born and **B.R.E.D** Australian

With more than 300 employees in different locations, we are ready and able to rise to the biggest challenge.

Since 1955, B&R has built a reputation for excellence in the design and manufacture of enclosures. Everything we have learned in that time, we've poured into our products and relationships.

As a 100% Australian, family-owned business, B&R champions the virtues of quality, service and value. Combined with our unrivalled industry and application knowledge, we are in a unique position to meet the needs of our clients.

The company encompasses four divisions: Industrial, Data ICT, Hazardous Areas and Residential Commercial. Each division has focuses on the unique needs of different market segments.

Together, these divisions share the strengths, resources and experience of the founding company to provide attentive customer service, innovative design and superior quality products at a competitive price. Quality is assured with B&R's certification to ISO 9001:2008.

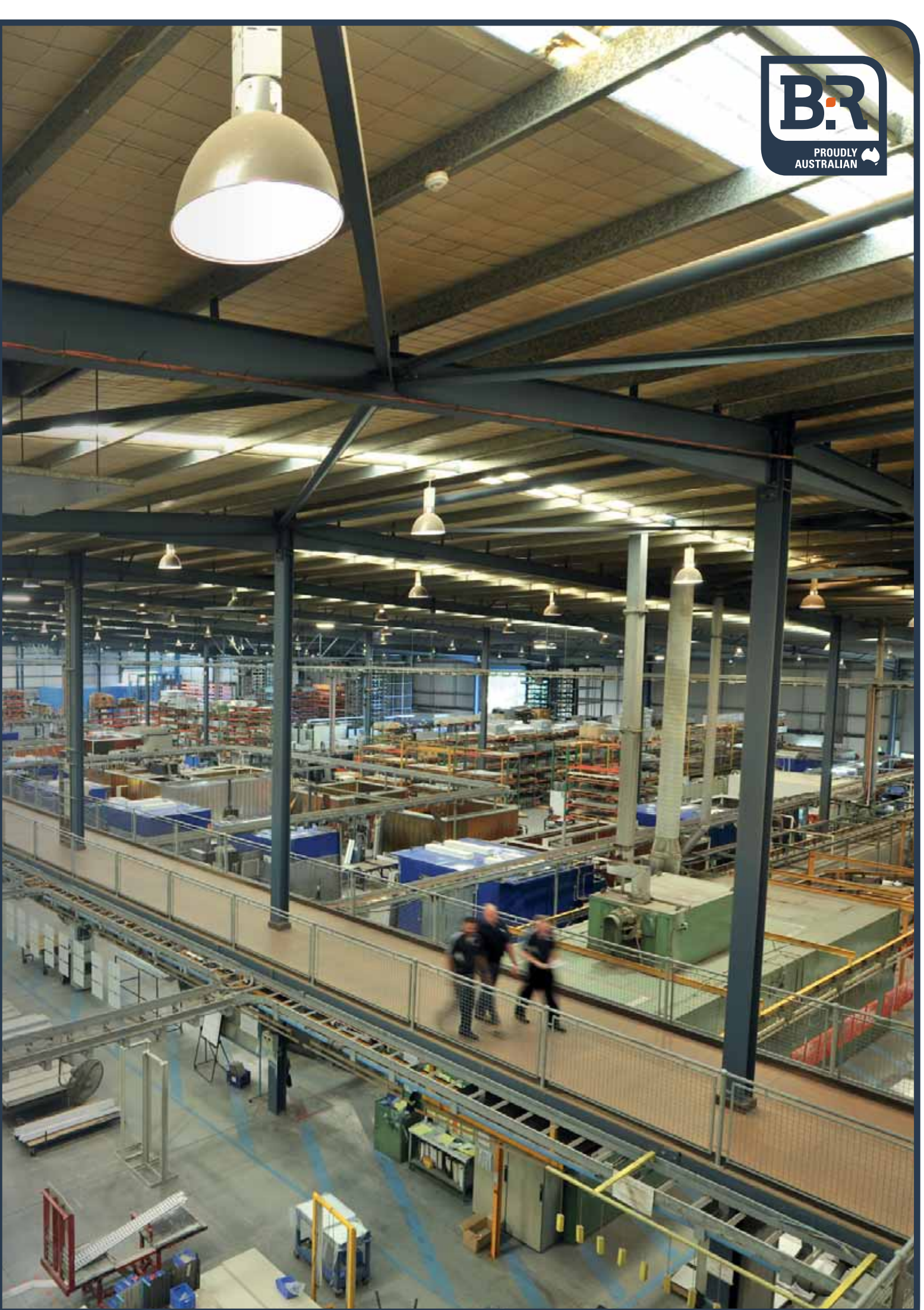
B&R is also accredited by the Australian Stainless Steel Association as a superior producer of stainless steel products, working to industry best practice.

Our occupational health and safety management system is certified to AS/NZS 4801:2001.

At B&R, we understand that technology and our people play an important role in making sure our products are of the highest quality. From material through to design and manufacturing, B&R do not compromise on quality. Our final product is not only functional but durable.

Our capabilities include:

- 3D Solidworks modelling
- Automated laser cutter, robotic punching and bending machines
- Robotic foamed in place gasket application machinery
- Automated powdercoating lines with multi-stage pre-treatment process
- Value add services
- Warehousing and distribution
- In-house testing including IP protection rating, salt spray, structural, climate and electrical conformity



B:Reakthrough [iLINQ] systems

iLINQ Competitive Advantage

The ultimate enclosure solution for multiple applications.

Advanced by design.

The iLINQ product offers a superior user experience through its adaptability and symmetrical design. iLINQ has been refined through years of strength, application and user testing.

Australian by nature.

As an Australian, family-owned and operated company, B&R Enclosures are proud to offer you a system that is designed with customer insight and extensive in-house and field testing.

Confident by supply.

B&R Enclosures can confidently supply iLINQ in small or large volumes to meet the timeframes specified on your project.



iLINQ Design Approach

Efficient design

Based on 25mm increments, the iLINQ frame maximises usable space.

Advantages include:

- Ability to position mounting pans on all axes.
- Ability to intersect matrix rails on the same plane.

Modular design

The frame rail is fundamental to iLINO's flexibility, quality and strength. The rail is galvanised, pre-punched, roll-formed, ultrasonically welded and re-galvanised.

iLINO frame is designed to an IEC grid:

- Profiles have attachment cavities at 12.5 increments.
- Attachment cavities for M5 tapite at 25mm increments.
- M6 and M8 cage nut fixing locations at 25mm increments.

Symmetrical design

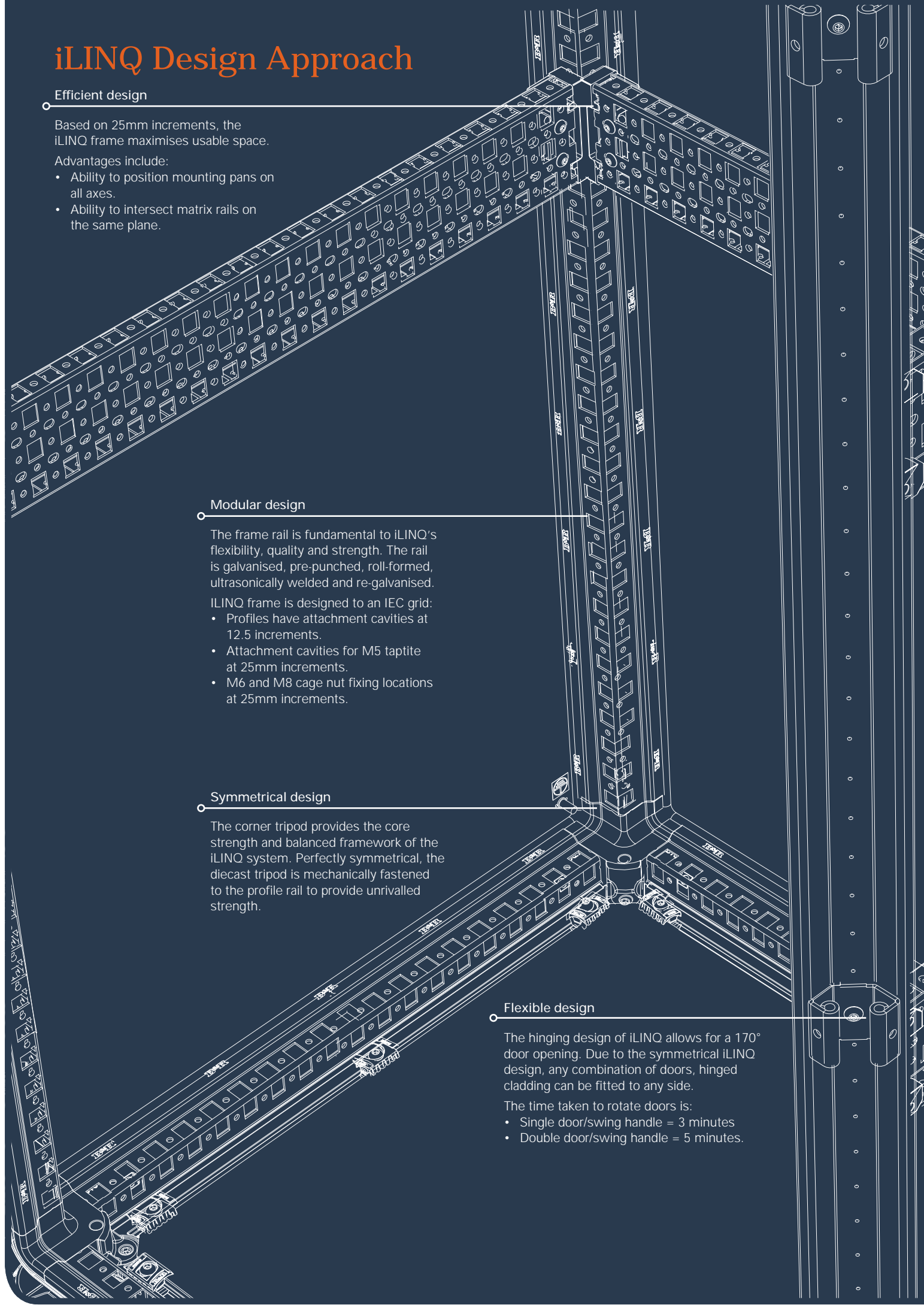
The corner tripod provides the core strength and balanced framework of the iLINO system. Perfectly symmetrical, the diecast tripod is mechanically fastened to the profile rail to provide unrivalled strength.

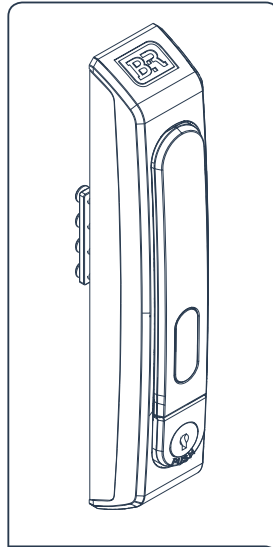
Flexible design

The hinging design of iLINO allows for a 170° door opening. Due to the symmetrical iLINO design, any combination of doors, hinged cladding can be fitted to any side.

The time taken to rotate doors is:

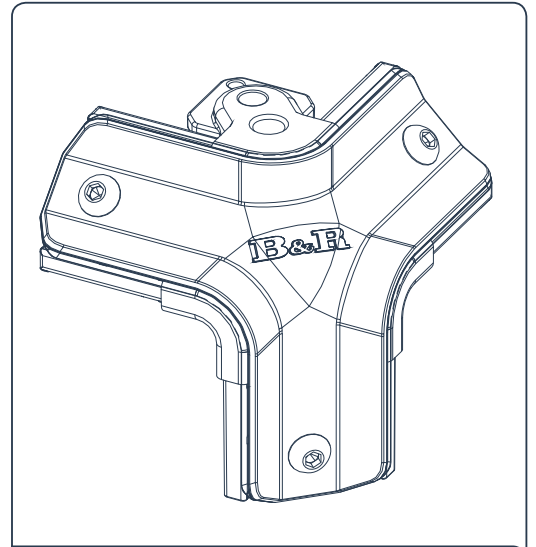
- Single door/swing handle = 3 minutes
- Double door/swing handle = 5 minutes.





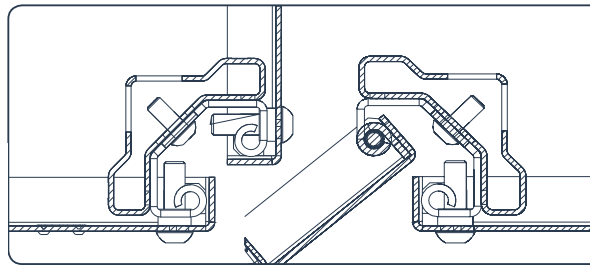
More Value

iLINO doors come standard with B&R's patented swing handle design.



Strength

iLINO is first in its class of bayable enclosure systems to offer a patented diecast tripod design. This corner design offers superior strength as it is mechanically fastened *and* secured.



Functionality

iLINO doors and hinging are designed to maximise working space and usability. When bayed, the doors still offer a 135° swing.

Colour Variety

The standard colour of iLINO is Light Grey RAL7035 ripple however, B&R offer a core range of standard colours which are listed below.

- French Blue B21 (Ripple)
- Ripple Orange X15 (Ripple)
- Aqua Blue (Ripple)
- Light Grey RAL7035 (Ripple)
- Signal Red R13 (Ripple)
- Smoke Blue T33 (Ripple)
- Textured Black (Textured)



B:Reakthrough [iLINQ] systems

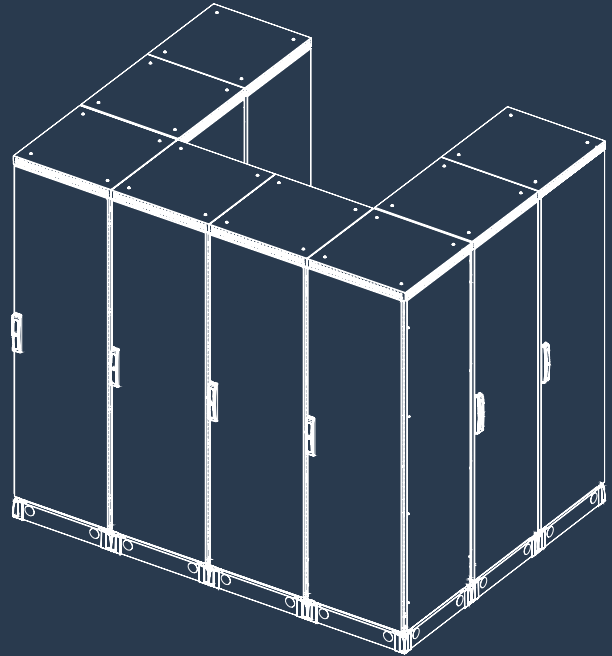
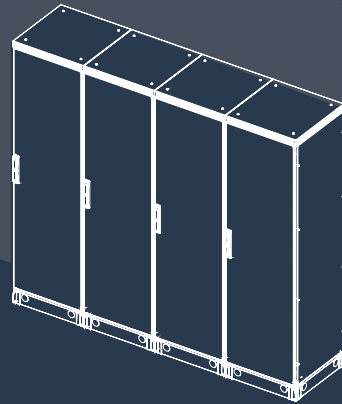
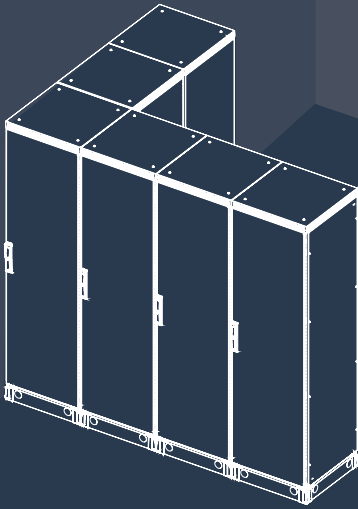


iLINO is an Australian designed and manufactured, high quality, modular, bayable enclosure system that is extremely versatile and simple to install. B&R Enclosures developed the range in response to demand from customers for a user friendly bayable enclosure system that maximised space, enabled flexibility for complex configurations and was built to last.

iLINO is the ideal solution for a range of market applications including:

- Industrial automation
- Industrial control
- Plant construction
- Data and networking infrastructure
- Telecommunications





CONSIDERATIONS AT TIME OF DESIGN

Configuration:

Visualising the layout of a bayable suite can help to understand the number of cladding panels, plinth trims, baying kits and access points for light kits and other accessories.

Access:

Once installed, where are the access points? Understanding where the access points are is helpful at the time of assembly and installation to ensure project efficiency in the short and long term.

LQ- PART NUMBERING SYSTEM

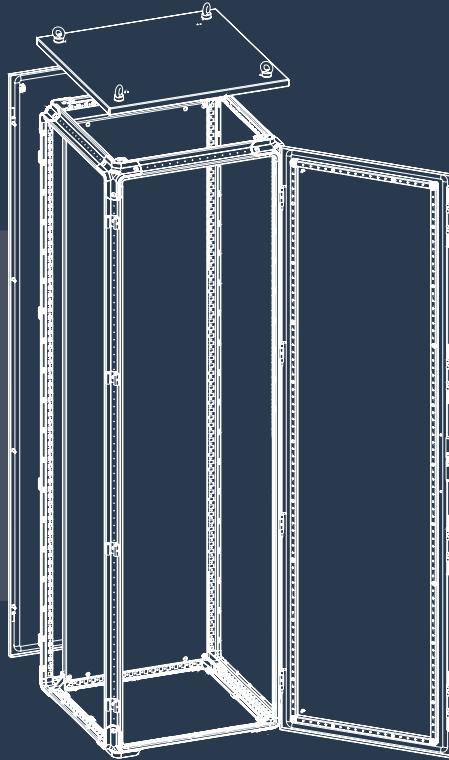
| E | F | D | DD | CF | CP | TF | TV | PB | P | PC | GK | GF | GP | GK/A | MP | SF | SS | SC | RR | RM | RP | RD | HE | VS | PH | LL | LK | BK | MF | LK | DS |
|-------------------------|-------|---------------|--------------------|-------------------------|--------------------------|------------------|--------------------|----------------------|------------|-----------------|-----------------|--------------|--------------|---------------------------|--------------|-------------|--------------------------|----------------------------|----------------|--------------|---------------|------------|-------------------|-----------------------------|----------------------|----------------|--------------|------------|---------------------|---------------|-----------|
| Enclosure (Stand-alone) | Frame | Door (Single) | Door (Double Door) | Cladding Panels (Fixed) | Cladding Panels (Hinged) | Top Cover (Flat) | Top Cover (Vented) | Plinth Mounting Base | Plinth Kit | Plinth Cladding | Gland Plate Kit | Gland Frames | Gland Plates | Gland Plates (Adjustable) | Mounting Pan | Swing Frame | Swing Frame Trims (Side) | Swing Frame Trims (Centre) | 19" Rack Rails | Matrix Rails | Profile Rails | Door Rails | Hinged Escutcheon | Vertical Segregation Panels | Portrait Plan Holder | Laptop Lectern | Lighting Kit | Baying Kit | Mounting Pan Infill | Lock Assembly | Door Stay |

Part Number Convention:

B&R part numbers are created using the following convention.



WHERE TO START



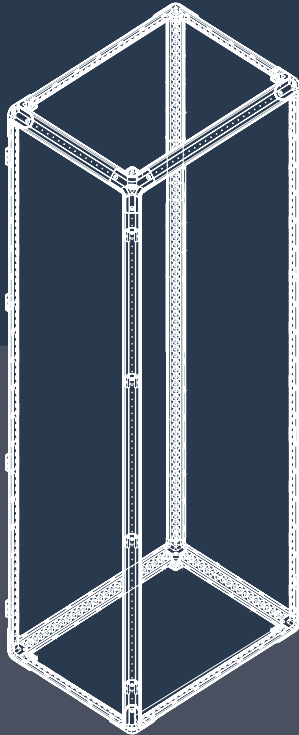
iLINO Stand-alone (LQE)

See pages 14 – 25

Comes standard with:

- Frame
- Rear fixed panel (screw fixed)
- Flat top with four eye bolts
- Solid door
- Keylockable swing handle (92268)
- Mounting pan – 3mm thick galvanised
- Fixed gland plate – 1.6mm thick galvanised steel

OR



iLINO Assembled to Order

See pages 28-75

- Build from the frame-up
- Order custom cut-outs
- Suitable for large scale suites



2.0 Stand-alone



iLINQ Stand-alone - LOE

iLINQ Stand-alone enclosures are available in single or double door configurations and can be quickly and easily bayed together. A standard enclosure comes preassembled with frame, door, fixed rear panel, top (with eye bolts), fixed gland plate, mounting pan and a key lockable swing handle. Once bayed together or fitted with side panels, enclosures are rated to IP55, ensuring limited ingress of dust and complete protection from low pressure jets of water. An extensive range of components and accessories are available to ensure your enclosure meets your exact requirements.

INCLUSIONS

- Frame
- Rear cladding (screw fixed)
- Flat top with four eye bolts
- Solid door
- Keylockable swing handle (92268)
- Mounting pan – 3mm thick galvanised
- Fixed gland plate – 1.6mm thick galvanised steel



IEC60529-1989, AS1939-1990, AS2380.1-1989, AS2380.6-1988, AS/NZS61241.1.1:1999 AS2236-1994
Important: IP55 compliance requires the purchase of additional side cladding panels.

ORDERING ILINQ LOE ENCLOSURES

iLINQ LOE Stand-alone offer comes with the above inclusions. If you require your design to be IP55, side cladding or an additional door is required. See below for further instruction or alternatively use the specification guide sheet on page 90.

Step 1

(pages 16-23)

Select enclosure model size from Quick Selection Guide.

The table is categorised by depth (with the subsequent heights and widths shown in the dimension table). The table is incremented from smallest to largest height.

Step 4

(from page 28-75)

If additional information is required see catalogue pages

which are shown in the table opposite or contact your local B&R representative.

Step 2

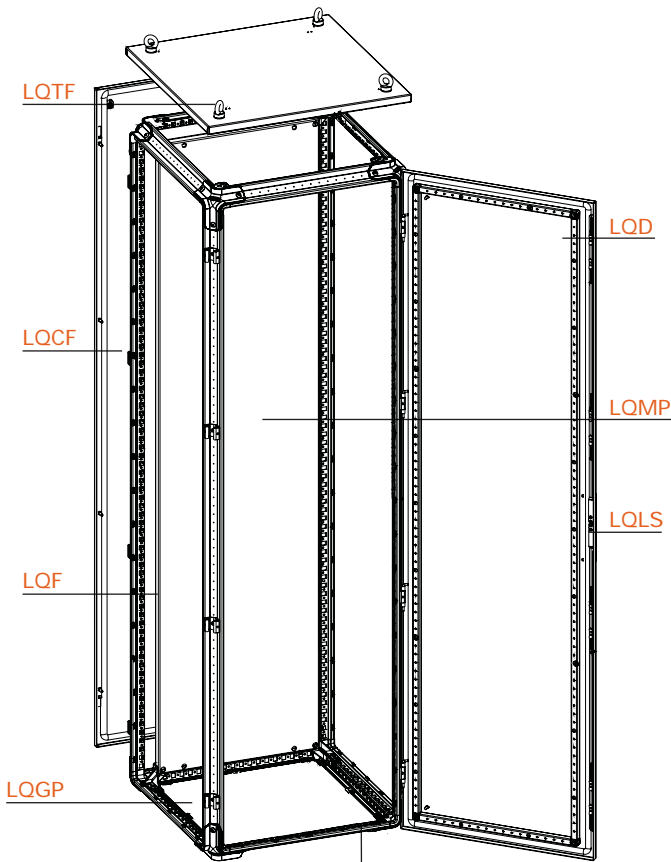
Select cladding & mounting components from the range listed in the size selection chart (the relevant part numbers are listed for each size enclosure).
Note: Side cladding is mandatory if you require IP55 rating.

Step 5

Contact local sales office to place order.

Step 3

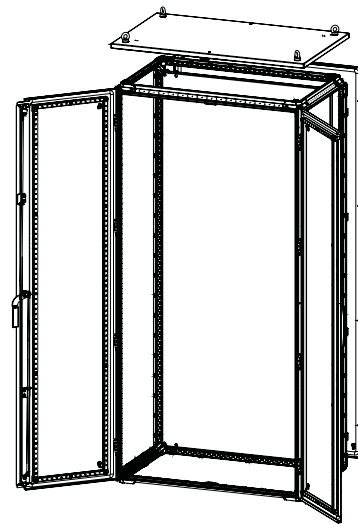
Select other additional components from the range listed in the selected enclosure column in the size selection chart.



INCLUSIONS

| iLINQ Code | Description | More information |
|------------|------------------------------------|------------------|
| LQF | Frame | 30 – 31 |
| LQD | Solid door (single / double) | 32 – 35 |
| LQCF | Rear fixed cladding | 36 – 37 |
| LQTF | Flat top with 4 eye bolts | 38 – 39 |
| LOGP | 1.6mm galvanised fixed gland plate | 48 – 49 |
| LQMP | 3mm galvanised steel mounting pan | 52 – 53 |
| LQLS | Keylockable swing handle (92268) | 76 |

Double door stand-alone offer
For order guide see Page 20-23.



ADDITIONAL COMPONENTS

The iLINQ LOE Stand-alone offer comes configured with the components listed above. To make the suite IP55 compliant, additional cladding panels are required.

Other components can be purchased separately in addition to the LOE offer.

| iLINQ Code | Part | Page Number |
|----------------|-----------------------------|-------------|
| LQCF/LQCP | Cladding | 36 – 37 |
| LQP/LQPB/LQPC | Plinths | 40 – 45 |
| LOGK/LQGA | Gland Plate | 46 – 51 |
| LQSF | Swing Frame | 54 – 57 |
| LQSC/LQSS | Swing Frame Trims | 58 – 59 |
| LQRR | 19" Rack Rails | 60 – 61 |
| LQRM/LQRD/LQRP | Internal Rail Systems | 62 – 65 |
| LQHE | Hinged Escutcheon | 66 – 67 |
| LQVS | Vertical Segregation Panels | 68 – 69 |
| LQPH | Portrait Plan Holder | 70 – 71 |
| LQLL | Laptop Lectern | 72 – 73 |
| LQLK | Light Kit | 74 – 75 |
| LQBK | Baying Kit | 76 |
| LQLS | Locks | 76 |
| LQDS | Door Stay | 77 |

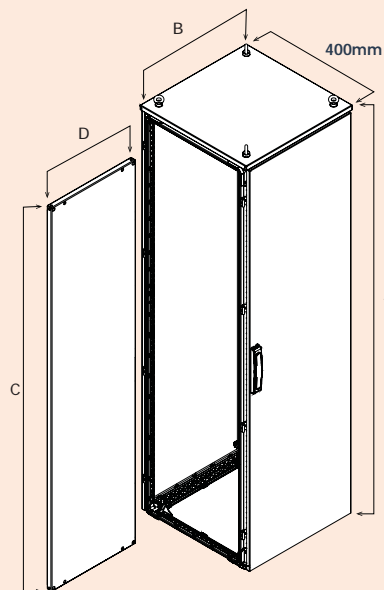
iLINO QUICK SELECTION GUIDE (LQE)
SINGLE DOOR 400 SERIES

LQE 400 Series - 400mm deep



INCLUSIONS

- Frame
- Rear cladding (screw fixed)
- Flat top with four eye bolts
- Solid door
- Keylockable swing handle (92268)
- Mounting pan – 3mm galvanised
- Fixed gland plate – 1.6mm galvanised steel



IEC60529-1989, AS1939-1990, AS2380.1-1989, AS2380.6-1988, AS/NZS61241.1.1:1999 AS2236-1994
 Important: IP55 compliance requires the purchase of additional side cladding panels.

LIFT 1.5t
PAN 500kg

ADVANTAGE

- Quick & easy installation
- Symmetrical design
- 4 hinge and locking points

MATERIALS

- Body – zinc coated steel
- Thickness – 1.6mm
- Gasket – polyurethane formed in place

FINISH

- Powdercoated Light Grey RAL7035

SELECTION GUIDE

| STAND-ALONE SIZE SELECTION | | | | | | MOUNTING PAN | | ALSO REQUIRED | | | | | |
|----------------------------|-----------------|-----------|-------|-----------------|-----------|------------------------------|----------------------------|--------------------|-------------------|------------|------------|--|--|
| Catalogue No. | Dimensions (mm) | | | Dimensions (mm) | | Cladding Panels [▲] | Mounting Pan Infill Panels | Plinth Kit 100mm # | Plinth Cladding * | Light Kit | Baying Kit | | |
| | Height (A) | Width (B) | Depth | Height (C) | Width (D) | | | | | | | | |
| | | | | | | Page 36–37 | Page 52–53 | Page 42–43 | Page 44–45 | Page 74-75 | Page 76 | | |
| LQE140404 | 1400 | 400 | 400 | 1275 | 275 | LQCF1404 | LQMF1401 | LQP0104 | LQPC0104 | LQLK | LQBK | | |
| LQE140504 | 1400 | 500 | 400 | 1275 | 375 | | LQMF1401 | LQP0105 | | | | | |
| LQE140604 | 1400 | 600 | 400 | 1275 | 475 | | LQMF1401 | LQP0106 | | | | | |
| LQE140804 | 1400 | 800 | 400 | 1275 | 675 | | LQMF1401 | LQP0108 | | | | | |
| LQE160404 | 1600 | 400 | 400 | 1475 | 275 | LQCF1604 | LQMF1601 | LQP0104 | | | | | |
| LQE160504 | 1600 | 500 | 400 | 1475 | 375 | | LQMF1601 | LQP0105 | | | | | |
| LQE160604 | 1600 | 600 | 400 | 1475 | 475 | | LQMF1601 | LQP0106 | | | | | |
| LQE160804 | 1600 | 800 | 400 | 1475 | 675 | | LQMF1601 | LQP0108 | | | | | |
| LQE180404 | 1800 | 400 | 400 | 1675 | 275 | LQCF1804 | LQMF1801 | LQP0104 | | | | | |
| LQE180504 | 1800 | 500 | 400 | 1675 | 375 | | LQMF1801 | LQP0105 | | | | | |
| LQE180604 | 1800 | 600 | 400 | 1675 | 475 | | LQMF1801 | LQP0106 | | | | | |
| LQE180804 | 1800 | 800 | 400 | 1675 | 675 | | LQMF1801 | LQP0108 | | | | | |
| LQE200404 | 2000 | 400 | 400 | 1875 | 275 | LQCF2004 | LQMF2001 | LQP0104 | | | | | |
| LQE200504 | 2000 | 500 | 400 | 1875 | 375 | | LQMF2001 | LQP0105 | | | | | |
| LQE200604 | 2000 | 600 | 400 | 1875 | 475 | | LQMF2001 | LQP0106 | | | | | |
| LQE200804 | 2000 | 800 | 400 | 1875 | 675 | | LQMF2001 | LQP0108 | | | | | |
| LQE220404 | 2200 | 400 | 400 | 2075 | 275 | LQCF2204 | LQMF2201 | LQP0104 | | | | | |
| LQE220504 | 2200 | 500 | 400 | 2075 | 375 | | LQMF2201 | LQP0105 | | | | | |
| LQE220604 | 2200 | 600 | 400 | 2075 | 475 | | LQMF2201 | LQP0106 | | | | | |
| LQE220804 | 2200 | 800 | 400 | 2075 | 675 | | LQMF2201 | LQP0108 | | | | | |

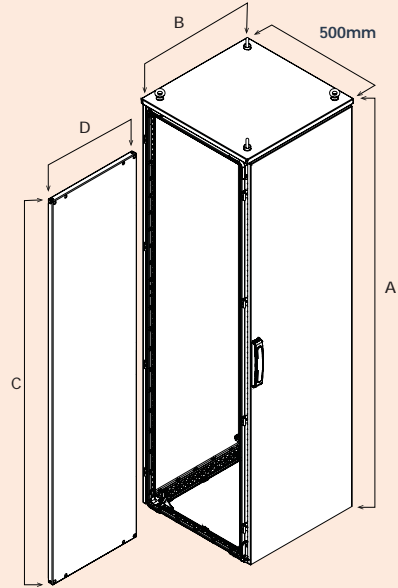
▲ Cladding panels are sold singularly
 # Plinth kit includes front & rear plinth cladding
 * Plinth cladding sold as a pair

LQE 500 Series - 500mm deep



INCLUSIONS

- Frame
- Rear cladding (screw fixed)
- Flat top with four eye bolts
- Solid door
- Keylockable swing handle (92268)
- Mounting pan – 3mm galvanised
- Fixed gland plate – 1.6mm galvanised steel



IEC60529-1989, AS1939-1990, AS2380.1-1989, AS2380.6-1988, AS/NZS61241.1.1:1999 AS2236-1994
 Important: IP55 compliance requires the purchase of additional side cladding panels.



ADVANTAGE

- Quick & easy installation
- Symmetrical design
- 4 hinge and locking points

MATERIALS

- Body – zinc coated steel
- Thickness – 1.6mm
- Gasket – polyurethane formed in place

FINISH

- Powdercoated Light Grey RAL7035

SELECTION GUIDE

| STAND-ALONE ENCLOSURES | | | | | | MOUNTING PAN | | ALSO REQUIRED | | | | | |
|------------------------|-----------------|-----------|-------|-----------------|-----------|------------------------------|----------------------------|--------------------|-------------------|------------|------------|---------|--|
| Catalogue No. | Dimensions (mm) | | | Dimensions (mm) | | Cladding Panels [▲] | Mounting Pan Infill Panels | Plinth Kit 100mm # | Plinth Cladding * | Light Kit | Baying Kit | | |
| | Height (A) | Width (B) | Depth | Height (C) | Width (D) | | | | | | | | |
| LQE140405 | 1400 | 400 | 500 | 1275 | 275 | Page 36-37 | LQCF1405 | Page 52-53 | Page 42-43 | Page 44-45 | Page 74-75 | Page 76 | |
| LQE140505 | 1400 | 500 | 500 | 1275 | 375 | | | | | | | | |
| LQE140605 | 1400 | 600 | 500 | 1275 | 475 | | | | | | | | |
| LQE140805 | 1400 | 800 | 500 | 1275 | 675 | | | | | | | | |
| LQE160405 | 1600 | 400 | 500 | 1475 | 275 | Page 36-37 | LQCF1605 | Page 52-53 | Page 42-43 | Page 44-45 | Page 74-75 | Page 76 | |
| LQE160505 | 1600 | 500 | 500 | 1475 | 375 | | | | | | | | |
| LQE160605 | 1600 | 600 | 500 | 1475 | 475 | | | | | | | | |
| LQE160805 | 1600 | 800 | 500 | 1475 | 675 | | | | | | | | |
| LQE180405 | 1800 | 400 | 500 | 1675 | 275 | Page 36-37 | LQCF1805 | Page 52-53 | Page 42-43 | Page 44-45 | Page 74-75 | Page 76 | |
| LQE180505 | 1800 | 500 | 500 | 1675 | 375 | | | | | | | | |
| LQE180605 | 1800 | 600 | 500 | 1675 | 475 | | | | | | | | |
| LQE180805 | 1800 | 800 | 500 | 1675 | 675 | | | | | | | | |
| LQE200405 | 2000 | 400 | 500 | 1875 | 275 | Page 36-37 | LQCF2005 | Page 52-53 | Page 42-43 | Page 44-45 | Page 74-75 | Page 76 | |
| LQE200505 | 2000 | 500 | 500 | 1875 | 375 | | | | | | | | |
| LQE200605 | 2000 | 600 | 500 | 1875 | 475 | | | | | | | | |
| LQE200805 | 2000 | 800 | 500 | 1875 | 675 | | | | | | | | |
| LQE220405 | 2200 | 400 | 500 | 2075 | 275 | Page 36-37 | LQCF2205 | Page 52-53 | Page 42-43 | Page 44-45 | Page 74-75 | Page 76 | |
| LQE220505 | 2200 | 500 | 500 | 2075 | 375 | | | | | | | | |
| LQE220605 | 2200 | 600 | 500 | 2075 | 475 | | | | | | | | |
| LQE220805 | 2200 | 800 | 500 | 2075 | 675 | | | | | | | | |

▲ Cladding panels are sold singularly
 # Plinth kit includes front & rear plinth cladding
 * Plinth cladding sold as a pair

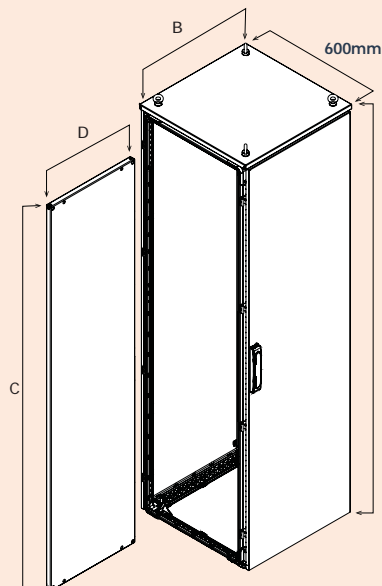
ILINQ QUICK SELECTION GUIDE (LQE) SINGLE DOOR 600 SERIES

LQE 600 Series - 600mm deep



INCLUSIONS

- Frame
- Rear cladding (screw fixed)
- Flat top with four eye bolts
- Solid door
- Keylockable swing handle (92268)
- Mounting pan – 3mm galvanised
- Fixed gland plate – 1.6mm galvanised steel



IEC60529-1989, AS1939-1990, AS2380.1-1989, AS2380.6-1988, AS/NZS61241.1.1:1999 AS2236-1994
Important: IP55 compliance requires the purchase of additional side cladding panels.

LIFT 1.5t
PAN 500kg

ADVANTAGE

- Quick & easy installation
- Symmetrical design
- 4 hinge and locking points

MATERIALS

- Body – zinc coated steel
- Thickness – 1.6mm
- Gasket – polyurethane formed in place

FINISH

- Powdercoated Light Grey RAL7035

SELECTION GUIDE

| STAND-ALONE SIZE SELECTION | | | | | | MOUNTING PAN | | ALSO REQUIRED | | | | | |
|----------------------------|-----------------|-----------|-------|-----------------|-----------|------------------------------|----------------------------|--------------------|-------------------|------------|------------|--|--|
| Catalogue No. | Dimensions (mm) | | | Dimensions (mm) | | Cladding Panels [▲] | Mounting Pan Infill Panels | Plinth Kit 100mm # | Plinth Cladding * | Light Kit | Baying Kit | | |
| | Height (A) | Width (B) | Depth | Height (C) | Width (D) | | | | | | | | |
| LQE140406 | 1400 | 400 | 600 | 1275 | 275 | Page 36–37 | Page 52–53 | Page 42–43 | Page 44–45 | Page 74-75 | Page 76 | | |
| LQE140506 | 1400 | 500 | 600 | 1275 | 375 | LQCF1406 | LQMF1401 | LQP0104 | LQPC0106 | LQLK | LQBK | | |
| LQE140606 | 1400 | 600 | 600 | 1275 | 475 | | LQMF1401 | LQP0105 | | | | | |
| LQE140806 | 1400 | 800 | 600 | 1275 | 675 | | LQMF1401 | LQP0106 | | | | | |
| LQE160406 | 1600 | 400 | 600 | 1475 | 275 | | LQMF1401 | LQP0108 | | | | | |
| LQE160506 | 1600 | 500 | 600 | 1475 | 375 | LQCF1606 | LQMF1601 | LQP0104 | | | | | |
| LQE160606 | 1600 | 600 | 600 | 1475 | 475 | | LQMF1601 | LQP0105 | | | | | |
| LQE160806 | 1600 | 800 | 600 | 1475 | 675 | | LQMF1601 | LQP0106 | | | | | |
| LQE180406 | 1800 | 400 | 600 | 1675 | 275 | | LQMF1601 | LQP0108 | | | | | |
| LQE180506 | 1800 | 500 | 600 | 1675 | 375 | LQCF1806 | LQMF1801 | LQP0104 | | | | | |
| LQE180606 | 1800 | 600 | 600 | 1675 | 475 | | LQMF1801 | LQP0105 | | | | | |
| LQE180806 | 1800 | 800 | 600 | 1675 | 675 | | LQMF1801 | LQP0106 | | | | | |
| LQE200406 | 2000 | 400 | 600 | 1875 | 275 | | LQMF1801 | LQP0108 | | | | | |
| LQE200506 | 2000 | 500 | 600 | 1875 | 375 | LQCF2006 | LQMF2001 | LQP0104 | | | | | |
| LQE200606 | 2000 | 600 | 600 | 1875 | 475 | | LQMF2001 | LQP0105 | | | | | |
| LQE200806 | 2000 | 800 | 600 | 1875 | 675 | | LQMF2001 | LQP0106 | | | | | |
| LQE220406 | 2200 | 400 | 600 | 2075 | 275 | | LQMF2001 | LQP0108 | | | | | |
| LQE220506 | 2200 | 500 | 600 | 2075 | 375 | LQCF2206 | LQMF2201 | LQP0104 | | | | | |
| LQE220606 | 2200 | 600 | 600 | 2075 | 475 | | LQMF2201 | LQP0105 | | | | | |
| LQE220806 | 2200 | 800 | 600 | 2075 | 675 | | LQMF2201 | LQP0106 | | | | | |
| | | | | | | | LQMF2201 | LQP0108 | | | | | |

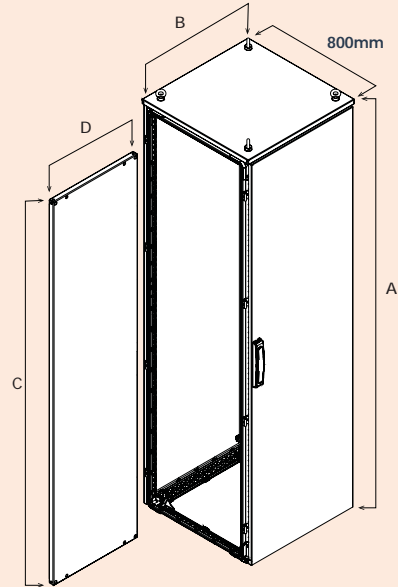
▲ Cladding panels are sold singularly
Plinth kit includes front & rear plinth cladding
* Plinth cladding sold as a pair

LQE 800 Series - 800mm deep



INCLUSIONS

- Frame
- Rear cladding (screw fixed)
- Flat top with four eye bolts
- Solid door
- Keylockable swing handle (92268)
- Mounting pan – 3mm galvanised
- Fixed gland plate – 1.6mm galvanised steel



IEC60529-1989, AS1939-1990, AS2380.1-1989, AS2380.6-1988, AS/NZS61241.1.1:1999 AS2236-1994
 Important: IP55 compliance requires the purchase of additional side cladding panels.



ADVANTAGE

- Quick & easy installation
- Symmetrical design
- 4 hinge and locking points

MATERIALS

- Body – zinc coated steel
- Thickness – 1.6mm
- Gasket – polyurethane formed in place

FINISH

- Powdercoated Light Grey RAL7035

SELECTION GUIDE

| STAND-ALONE SIZE SELECTION | | | | | | MOUNTING PAN | | ALSO REQUIRED | | | | | |
|----------------------------|-----------------|-----------|-------|-----------------|-----------|------------------------------|----------------------------|--------------------|-------------------|-----------|------------|--|--|
| Catalogue No. | Dimensions (mm) | | | Dimensions (mm) | | Cladding Panels [▲] | Mounting Pan Infill Panels | Plinth Kit 100mm # | Plinth Cladding * | Light Kit | Baying Kit | | |
| | Height (A) | Width (B) | Depth | Height (C) | Width (D) | | | | | | | | |
| LQE140408 | 1400 | 400 | 800 | 1275 | 275 | Page 36–37 | LQMF1401 | LQP0104 | LQPC0108 | LQLK | LOBK | | |
| LQE140508 | 1400 | 500 | 800 | 1275 | 375 | | | | | | | | |
| LQE140608 | 1400 | 600 | 800 | 1275 | 475 | | | | | | | | |
| LQE140808 | 1400 | 800 | 800 | 1275 | 675 | | | | | | | | |
| LQE160408 | 1600 | 400 | 800 | 1475 | 275 | Page 52–53 | LQMF1601 | LQP0104 | LQPC0108 | LQLK | LOBK | | |
| LQE160508 | 1600 | 500 | 800 | 1475 | 375 | | | | | | | | |
| LQE160608 | 1600 | 600 | 800 | 1475 | 475 | | | | | | | | |
| LQE160808 | 1600 | 800 | 800 | 1475 | 675 | Page 42–43 | LQMF1801 | LQP0104 | LQPC0108 | LQLK | LOBK | | |
| LQE180408 | 1800 | 400 | 800 | 1675 | 275 | | | | | | | | |
| LQE180508 | 1800 | 500 | 800 | 1675 | 375 | | | | | | | | |
| LQE180608 | 1800 | 600 | 800 | 1675 | 475 | | | | | | | | |
| LQE180808 | 1800 | 800 | 800 | 1675 | 675 | Page 44–45 | LQMF2001 | LQP0104 | LQPC0108 | LQLK | LOBK | | |
| LQE200408 | 2000 | 400 | 800 | 1875 | 275 | | | | | | | | |
| LQE200508 | 2000 | 500 | 800 | 1875 | 375 | | | | | | | | |
| LQE200608 | 2000 | 600 | 800 | 1875 | 475 | | | | | | | | |
| LQE200808 | 2000 | 800 | 800 | 1875 | 675 | Page 74-75 | LQMF2201 | LQP0104 | LQPC0108 | LQLK | LOBK | | |
| LQE220408 | 2200 | 400 | 800 | 2075 | 275 | | | | | | | | |
| LQE220508 | 2200 | 500 | 800 | 2075 | 375 | | | | | | | | |
| LQE220608 | 2200 | 600 | 800 | 2075 | 475 | | | | | | | | |
| LQE220808 | 2200 | 800 | 800 | 2075 | 675 | Page 76 | LQMF2201 | LQP0108 | LQPC0108 | LQLK | LOBK | | |
| LQE220808 | 2200 | 800 | 800 | 2075 | 675 | | | | | | | | |

▲ Cladding panels are sold singularly
 # Plinth kit includes front & rear plinth cladding
 * Plinth cladding sold as a pair

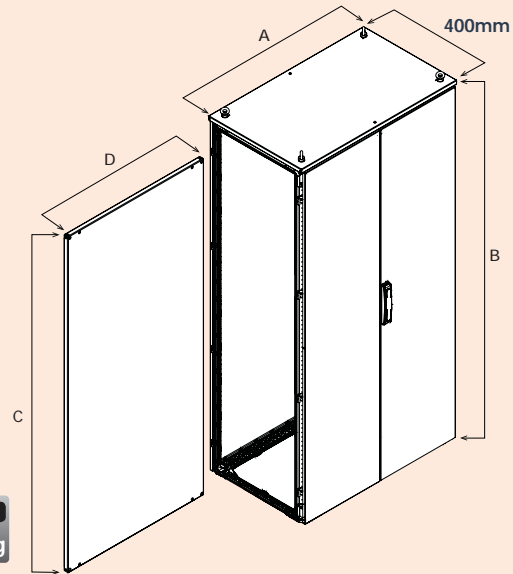
iLINQ QUICK SELECTION GUIDE (LQE)
DOUBLE DOOR 400 SERIES

LQE/DD 400 Series - 400mm deep

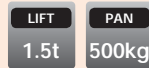


INCLUSIONS

- Frame
- Rear fixed cladding (screw fixed)
- Flat top with four eye bolts
- Symmetrical door – first closing
- Symmetrical door with lock – second closing
- Keylockable swing handle (92268)
- Mounting pan – 3mm galvanised
- Fixed gland plate – 1.6mm galvanised steel



IEC60529-1989, AS1939-1990, AS2380.1-1989, AS2380.6-1988, AS/NZS61241.1.1:1999 AS2236-1994
 Important: IP55 compliance requires the purchase of additional side cladding panels.



ADVANTAGE

- Quick & easy installation
- Symmetrical design
- 4 hinge and locking points
- 1st & 2nd closing doors can be reversed

MATERIALS

- Body – zinc coated steel
- Thickness – 1.6mm
- Gasket – polyurethane formed in place

FINISH

- Powdercoated Light Grey RAL7035

SELECTION GUIDE

| STAND-ALONE SIZE SELECTION | | | | | | MOUNTING PAN | | ALSO REQUIRED | | | | | |
|----------------------------|-----------------|-----------|-------|-----------------|-----------|------------------------------|----------------------------|--------------------|-------------------|------------|------------|--|--|
| Catalogue No. | Dimensions (mm) | | | Dimensions (mm) | | Cladding Panels [▲] | Mounting Pan Infill Panels | Plinth Kit 100mm # | Plinth Cladding * | Light Kit | Baying Kit | | |
| | Height (A) | Width (B) | Depth | Height (C) | Width (D) | | | | | | | | |
| | | | | | | Page 36–37 | Page 52–53 | Page 42–43 | Page 44–45 | Page 74-75 | Page 76 | | |
| LQE140604/DD | 1400 | 600 | 400 | 1275 | 475 | LQCF1404 | LQMF1401 | LQP0106 | LQPC0104 | LQLK | LQBK | | |
| LQE140804/DD | 1400 | 800 | 400 | 1275 | 675 | | LQMF1401 | LQP0108 | | | | | |
| LQE141004/DD | 1400 | 1000 | 400 | 1275 | 875 | | LQMF1401 | LQP0110 | | | | | |
| LQE141204/DD | 1400 | 1200 | 400 | 1275 | 1075 | | LQMF1401 | LQP0112 | | | | | |
| LQE160604/DD | 1600 | 600 | 400 | 1475 | 475 | LQCF1604 | LQMF1601 | LQP0106 | | | | | |
| LQE160804/DD | 1600 | 800 | 400 | 1475 | 675 | | LQMF1601 | LQP0108 | | | | | |
| LQE161004/DD | 1600 | 1000 | 400 | 1475 | 875 | | LQMF1601 | LQP0110 | | | | | |
| LQE161204/DD | 1600 | 1200 | 400 | 1475 | 1075 | | LQMF1601 | LQP0112 | | | | | |
| LQE180604/DD | 1800 | 600 | 400 | 1675 | 475 | LQCF1804 | LQMF1801 | LQP0106 | | | | | |
| LQE180804/DD | 1800 | 800 | 400 | 1675 | 675 | | LQMF1801 | LQP0108 | | | | | |
| LQE181004/DD | 1800 | 1000 | 400 | 1675 | 875 | | LQMF1801 | LQP0110 | | | | | |
| LQE181204/DD | 1800 | 1200 | 400 | 1675 | 1075 | | LQMF1801 | LQP0112 | | | | | |
| LQE200604/DD | 2000 | 600 | 400 | 1875 | 475 | LQCF2004 | LQMF2001 | LQP0106 | | | | | |
| LQE200804/DD | 2000 | 800 | 400 | 1875 | 675 | | LQMF2001 | LQP0108 | | | | | |
| LQE201004/DD | 2000 | 1000 | 400 | 1875 | 875 | | LQMF2001 | LQP0110 | | | | | |
| LQE201204/DD | 2000 | 1200 | 400 | 1875 | 1075 | | LQMF2001 | LQP0112 | | | | | |
| LQE220604/DD | 2200 | 600 | 400 | 2075 | 475 | LQCF2204 | LQMF2201 | LQP0106 | | | | | |
| LQE220804/DD | 2200 | 800 | 400 | 2075 | 675 | | LQMF2201 | LQP0108 | | | | | |
| LQE221004/DD | 2200 | 1000 | 400 | 2075 | 875 | | LQMF2201 | LQP0110 | | | | | |
| LQE221204/DD | 2200 | 1200 | 400 | 2075 | 1075 | | LQMF2201 | LQP0112 | | | | | |

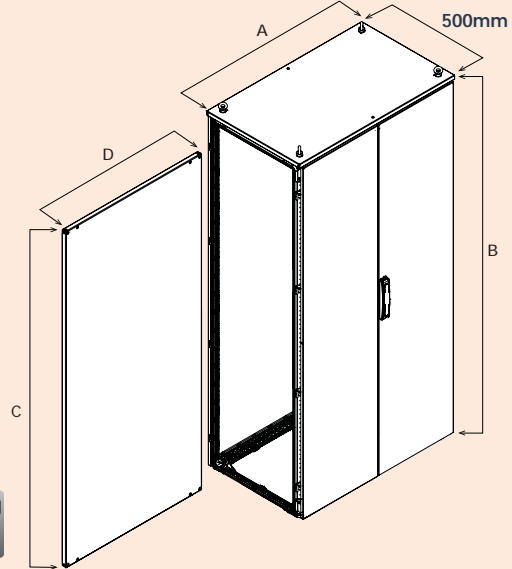
▲ Cladding panels are sold singularly
 # Plinth kit includes front & rear plinth cladding
 * Plinth cladding sold as a pair

LQE/DD 500 Series - 500mm deep

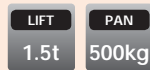


INCLUSIONS

- Frame
- Rear fixed cladding (screw fixed)
- Flat top with four eye bolts
- Symmetrical door with mullion – first closing
- Symmetrical door with lock – second closing
- Keylockable swing handle (92268)
- Mounting pan – 3mm galvanised
- Fixed gland plate – 1.6mm galvanised steel



IEC60529-1989, AS1939-1990, AS2380.1-1989, AS2380.6-1988, AS/NZS61241.1.1:1999 AS2236-1994
 Important: IP55 compliance requires the purchase of additional side cladding panels.



ADVANTAGE

- Quick & easy installation
- Symmetrical design
- 4 hinge and locking points
- 1st & 2nd closing doors can be reversed

MATERIALS

- Body – zinc coated steel
- Thickness – 1.6mm
- Gasket – polyurethane formed in place

FINISH

- Powdercoated Light Grey RAL7035

SELECTION GUIDE

| STAND-ALONE SIZE SELECTION | | | | | | MOUNTING PAN | | ALSO REQUIRED | | | | | |
|----------------------------|-----------------|-----------|-------|-----------------|-----------|------------------------------|----------------------------|--------------------|-------------------|------------|------------|--|--|
| Catalogue No. | Dimensions (mm) | | | Dimensions (mm) | | Cladding Panels [▲] | Mounting Pan Infill Panels | Plinth Kit 100mm # | Plinth Cladding * | Light Kit | Baying Kit | | |
| | Height (A) | Width (B) | Depth | Height (C) | Width (D) | | | | | | | | |
| LQE140605/DD | 1400 | 600 | 500 | 1275 | 475 | Page 36–37 | Page 52–53 | Page 42–43 | Page 44–45 | Page 74-75 | Page 76 | | |
| LQE140805/DD | 1400 | 800 | 500 | 1275 | 675 | LQCF1405 | LQMF1401 | LQP0106 | LQPC0105 | LQLK | LQBK | | |
| LQE141005/DD | 1400 | 1000 | 500 | 1275 | 875 | | LQMF1401 | LQP0108 | | | | | |
| LQE141205/DD | 1400 | 1200 | 500 | 1275 | 1075 | | LQMF1401 | LQP0110 | | | | | |
| LQE160605/DD | 1600 | 600 | 500 | 1475 | 475 | LQCF1605 | LQMF1601 | LQP0106 | | | | | |
| LQE160805/DD | 1600 | 800 | 500 | 1475 | 675 | | LQMF1601 | LQP0108 | | | | | |
| LQE161005/DD | 1600 | 1000 | 500 | 1475 | 875 | | LQMF1601 | LQP0110 | | | | | |
| LQE161205/DD | 1600 | 1200 | 500 | 1475 | 1075 | LQMF1601 | LQP0112 | | | | | | |
| LQE180605/DD | 1800 | 600 | 500 | 1675 | 475 | LQCF1805 | LQMF1801 | LQP0106 | | | | | |
| LQE180805/DD | 1800 | 800 | 500 | 1675 | 675 | | LQMF1801 | LQP0108 | | | | | |
| LQE181005/DD | 1800 | 1000 | 500 | 1675 | 875 | | LQMF1801 | LQP0110 | | | | | |
| LQE181205/DD | 1800 | 1200 | 500 | 1675 | 1075 | | LQMF1801 | LQP0112 | | | | | |
| LQE200605/DD | 2000 | 600 | 500 | 1875 | 475 | LQCF2005 | LQMF2001 | LQP0106 | | | | | |
| LQE200805/DD | 2000 | 800 | 500 | 1875 | 675 | | LQMF2001 | LQP0108 | | | | | |
| LQE201005/DD | 2000 | 1000 | 500 | 1875 | 875 | | LQMF2001 | LQP0110 | | | | | |
| LQE201205/DD | 2000 | 1200 | 500 | 1875 | 1075 | | LQMF2001 | LQP0112 | | | | | |
| LQE220605/DD | 2200 | 600 | 500 | 2075 | 475 | LQCF2205 | LQMF2201 | LQP0106 | | | | | |
| LQE220805/DD | 2200 | 800 | 500 | 2075 | 675 | | LQMF2201 | LQP0108 | | | | | |
| LQE221005/DD | 2200 | 1000 | 500 | 2075 | 875 | | LQMF2201 | LQP0110 | | | | | |
| LQE221205/DD | 2200 | 1200 | 500 | 2075 | 1075 | | LQMF2201 | LQP0112 | | | | | |

▲ Cladding panels are sold singularly
 # Plinth kit includes front & rear plinth cladding
 * Plinth cladding sold as a pair

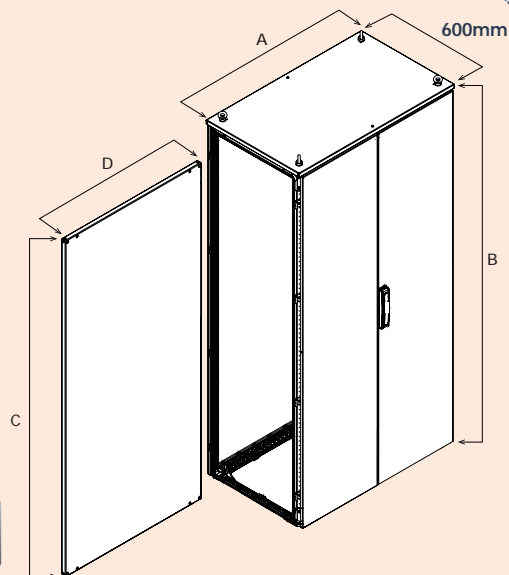
ILINQ QUICK SELECTION GUIDE (LQE)
DOUBLE DOOR 600 SERIES

LQE 600/DD Series - 600mm deep



INCLUSIONS

- Frame
- Rear fixed cladding (screw fixed)
- Flat top with four eye bolts
- Symmetrical door with mullion – first closing
- Symmetrical door with lock – second closing
- Keylockable swing handle (92268)
- Mounting pan – 3mm galvanised
- Fixed gland plate – 1.6mm galvanised steel



IEC60529-1989, AS1939-1990, AS2380.1-1989, AS2380.6-1988, AS/NZS61241.1.1-1999 AS2236-1994
 Important: IP55 compliance requires the purchase of additional side cladding panels.

LIFT
1.5t

PAN
500kg

ADVANTAGE

- Quick & easy installation
- Symmetrical design
- 4 hinge and locking points
- 1st & 2nd closing doors can be reversed

MATERIALS

- Body – zinc coated steel
- Thickness – 1.6mm
- Gasket – polyurethane formed in place

FINISH

- Powdercoated Light Grey RAL7035

SELECTION GUIDE

| STAND-ALONE SIZE SELECTION | | | | | | MOUNTING PAN | | ALSO REQUIRED | | | | | |
|----------------------------|-----------------|-----------|-------|-----------------|-----------|------------------------------|----------------------------|--------------------|------------------------------|------------|------------|--|--|
| Catalogue No. | Dimensions (mm) | | | Dimensions (mm) | | Cladding Panels [▲] | Mounting Pan Infill Panels | Plinth Kit 100mm # | Plinth Cladding [*] | Light Kit | Baying Kit | | |
| | Height (A) | Width (B) | Depth | Height (C) | Width (D) | | | | | | | | |
| LQE140606/DD | 1400 | 600 | 600 | 1275 | 475 | Page 36–37 | Page 52–53 | Page 42–43 | Page 44–45 | Page 74-75 | Page 76 | | |
| LQE140806/DD | 1400 | 800 | 600 | 1275 | 675 | LQCF1406 | LQMF1401 | LQP0106 | LQPC0106 | LQLK | LQBK | | |
| LQE141006/DD | 1400 | 1000 | 600 | 1275 | 875 | | LQMF1401 | LQP0108 | | | | | |
| LQE141206/DD | 1400 | 1200 | 600 | 1275 | 1075 | | LQMF1401 | LQP0110 | | | | | |
| LQE141206/DD | 1400 | 1200 | 600 | 1275 | 1075 | | LQMF1401 | LQP0112 | | | | | |
| LQE160606/DD | 1600 | 600 | 600 | 1475 | 475 | LQCF1606 | LQMF1601 | LQP0106 | | | | | |
| LQE160806/DD | 1600 | 800 | 600 | 1475 | 675 | | LQMF1601 | LQP0108 | | | | | |
| LQE161006/DD | 1600 | 1000 | 600 | 1475 | 875 | | LQMF1601 | LQP0110 | | | | | |
| LQE161206/DD | 1600 | 1200 | 600 | 1475 | 1075 | | LQMF1601 | LQP0112 | | | | | |
| LQE180606/DD | 1800 | 600 | 600 | 1675 | 475 | LQCF1806 | LQMF1801 | LQP0106 | | | | | |
| LQE180806/DD | 1800 | 800 | 600 | 1675 | 675 | | LQMF1801 | LQP0108 | | | | | |
| LQE181006/DD | 1800 | 1000 | 600 | 1675 | 875 | | LQMF1801 | LQP0110 | | | | | |
| LQE181206/DD | 1800 | 1200 | 600 | 1675 | 1075 | | LQMF1801 | LQP0112 | | | | | |
| LQE200606/DD | 2000 | 600 | 600 | 1875 | 475 | LQCF2006 | LQMF2001 | LQP0106 | | | | | |
| LQE200806/DD | 2000 | 800 | 600 | 1875 | 675 | | LQMF2001 | LQP0108 | | | | | |
| LQE201006/DD | 2000 | 1000 | 600 | 1875 | 875 | | LQMF2001 | LQP0110 | | | | | |
| LQE201206/DD | 2000 | 1200 | 600 | 1875 | 1075 | | LQMF2001 | LQP0112 | | | | | |
| LQE220606/DD | 2200 | 600 | 600 | 2075 | 475 | LQCF2206 | LQMF2201 | LQP0106 | | | | | |
| LQE220806/DD | 2200 | 800 | 600 | 2075 | 675 | | LQMF2201 | LQP0108 | | | | | |
| LQE221006/DD | 2200 | 1000 | 600 | 2075 | 875 | | LQMF2201 | LQP0110 | | | | | |
| LQE221206/DD | 2200 | 1200 | 600 | 2075 | 1075 | | LQMF2201 | LQP0112 | | | | | |

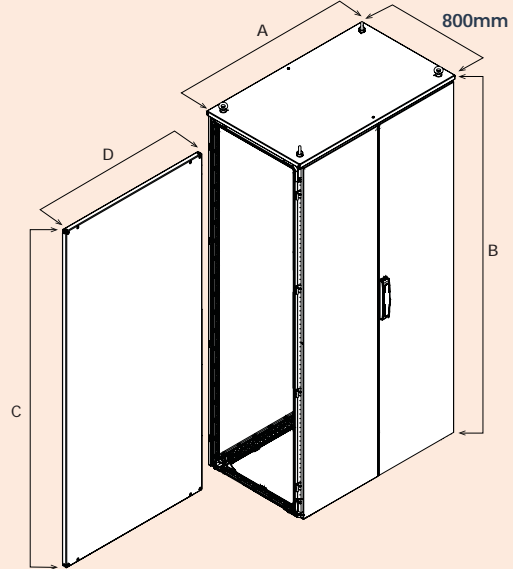
[▲] Cladding panels are sold singularly
[#] Plinth kit includes front & rear plinth cladding
^{*} Plinth cladding sold as a pair

LQE/DD 800 Series - 800mm deep



INCLUSIONS

- Frame
- Rear fixed cladding (screw fixed)
- Flat top with four eye bolts
- Symmetrical door with mullion – first closing
- Symmetrical door with lock – second closing
- Keylockable swing handle (92268)
- Mounting pan – 3mm galvanised
- Fixed gland plate – 1.6mm galvanised steel



IEC60529-1989, AS1939-1990, AS2380.1-1989, AS2380.6-1988, AS/NZS61241.1.1-1999 AS2236-1994
 Important: IP55 compliance requires the purchase of additional side cladding panels.

ADVANTAGE

- Quick & easy installation
- Symmetrical design
- 4 hinge and locking points
- 1st & 2nd closing doors can be reversed

MATERIALS

- Body – zinc coated steel
- Thickness – 1.6mm
- Gasket – polyurethane formed in place

FINISH

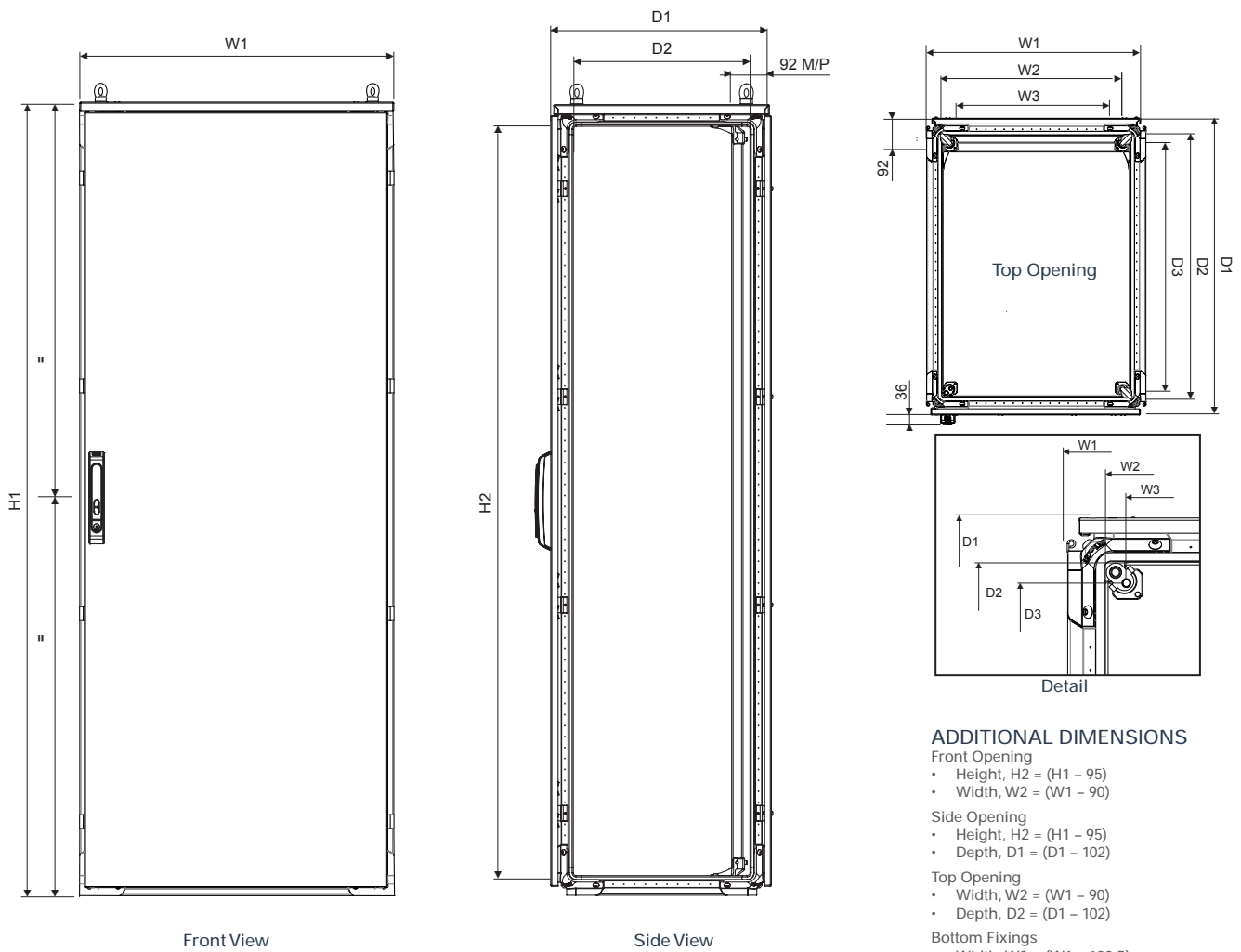
- Powdercoated Light Grey RAL7035

SELECTION GUIDE

| STAND-ALONE SIZE SELECTION | | | | | | MOUNTING PAN | | ALSO REQUIRED | | | | | |
|----------------------------|-----------------|-----------|-------|-----------------|-----------|------------------------------|----------------------------|--------------------|-------------------|------------|------------|--|--|
| Catalogue No. | Dimensions (mm) | | | Dimensions (mm) | | Cladding Panels [▲] | Mounting Pan Infill Panels | Plinth Kit 100mm # | Plinth Cladding * | Light Kit | Baying Kit | | |
| | Height (A) | Width (B) | Depth | Height (C) | Width (D) | | | | | | | | |
| LQE140608/DD | 1400 | 600 | 800 | 1275 | 475 | Page 36–37 | Page 52–53 | Page 42–43 | Page 44–45 | Page 74-75 | Page 76 | | |
| LQE140808/DD | 1400 | 800 | 800 | 1275 | 675 | LQCF1408 | LQMF1401 | LQP0106 | LQPC0108 | LQLK | LQBK | | |
| LQE141008/DD | 1400 | 1000 | 800 | 1275 | 875 | | LQMF1401 | LQP0108 | | | | | |
| LQE141208/DD | 1400 | 1200 | 800 | 1275 | 1075 | | LQMF1401 | LQP0110 | | | | | |
| LQE160608/DD | 1600 | 600 | 800 | 1475 | 475 | LQCF1608 | LQMF1601 | LQP0106 | | | | | |
| LQE160808/DD | 1600 | 800 | 800 | 1475 | 675 | | LQMF1601 | LQP0108 | | | | | |
| LQE161008/DD | 1600 | 1000 | 800 | 1475 | 875 | | LQMF1601 | LQP0110 | | | | | |
| LQE161208/DD | 1600 | 1200 | 800 | 1475 | 1075 | | LQMF1601 | LQP0112 | | | | | |
| LQE180608/DD | 1800 | 600 | 800 | 1675 | 475 | LQCF1808 | LQMF1801 | LQP0106 | | | | | |
| LQE180808/DD | 1800 | 800 | 800 | 1675 | 675 | | LQMF1801 | LQP0108 | | | | | |
| LQE181008/DD | 1800 | 1000 | 800 | 1675 | 875 | | LQMF1801 | LQP0110 | | | | | |
| LQE181208/DD | 1800 | 1200 | 800 | 1675 | 1075 | | LQMF1801 | LQP0112 | | | | | |
| LQE200608/DD | 2000 | 600 | 800 | 1875 | 475 | LQCF2008 | LQMF2001 | LQP0106 | | | | | |
| LQE200808/DD | 2000 | 800 | 800 | 1875 | 675 | | LQMF2001 | LQP0108 | | | | | |
| LQE201008/DD | 2000 | 1000 | 800 | 1875 | 875 | | LQMF2001 | LQP0110 | | | | | |
| LQE201208/DD | 2000 | 1200 | 800 | 1875 | 1075 | | LQMF2001 | LQP0112 | | | | | |
| LQE220608/DD | 2200 | 600 | 800 | 2075 | 475 | LQCF2208 | LQMF2201 | LQP0106 | | | | | |
| LQE220808/DD | 2200 | 800 | 800 | 2075 | 675 | | LQMF2201 | LQP0108 | | | | | |
| LQE221008/DD | 2200 | 1000 | 800 | 2075 | 875 | | LQMF2201 | LQP0110 | | | | | |
| LQE221208/DD | 2200 | 1200 | 800 | 2075 | 1075 | | LQMF2201 | LQP0112 | | | | | |

[▲] Cladding panels are sold singularly
[#] Plinth kit includes front & rear plinth cladding
^{*} Plinth cladding sold as a pair

**ILINQ QUICK SELECTION GUIDE (LOE)
SINGLE DOOR ENCLOSURE DRAWING**



ADDITIONAL DIMENSIONS

- Front Opening
 - Height, H2 = (H1 - 95)
 - Width, W2 = (W1 - 90)
- Side Opening
 - Height, H2 = (H1 - 95)
 - Depth, D1 = (D1 - 102)
- Top Opening
 - Width, W2 = (W1 - 90)
 - Depth, D2 = (D1 - 102)
- Bottom Fixings
 - Width, W3 = (W1 - 130.5)
 - Depth, D3 = (D1 - 142.5)

400 SERIES

| Catalogue No. | Dimensions (mm) | | |
|---------------|-----------------|------------|------------|
| | Height (H1) | Width (W1) | Depth (D1) |
| LQE140404 | 1404 | 399 | 411 |
| LQE140504 | 1404 | 499 | 411 |
| LQE140604 | 1404 | 599 | 411 |
| LQE140804 | 1404 | 799 | 411 |
| LQE160404 | 1604 | 399 | 411 |
| LQE160504 | 1604 | 499 | 411 |
| LQE160604 | 1604 | 599 | 411 |
| LQE160804 | 1604 | 799 | 411 |
| LQE180404 | 1804 | 399 | 411 |
| LQE180504 | 1804 | 499 | 411 |
| LQE180604 | 1804 | 599 | 411 |
| LQE180804 | 1804 | 799 | 411 |
| LQE200404 | 2004 | 399 | 411 |
| LQE200504 | 2004 | 499 | 411 |
| LQE200604 | 2004 | 599 | 411 |
| LQE200804 | 2004 | 799 | 411 |
| LQE220404 | 2204 | 399 | 411 |
| LQE220504 | 2204 | 499 | 411 |
| LQE220604 | 2204 | 599 | 411 |
| LQE220804 | 2204 | 799 | 411 |

500 SERIES

| Catalogue No. | Dimensions (mm) | | |
|---------------|-----------------|------------|------------|
| | Height (H1) | Width (W1) | Depth (D1) |
| LQE140405 | 1404 | 399 | 511 |
| LQE140505 | 1404 | 499 | 511 |
| LQE140605 | 1404 | 599 | 511 |
| LQE140805 | 1404 | 799 | 511 |
| LQE160405 | 1604 | 399 | 511 |
| LQE160505 | 1604 | 499 | 511 |
| LQE160605 | 1604 | 599 | 511 |
| LQE160805 | 1604 | 799 | 511 |
| LQE180405 | 1804 | 399 | 511 |
| LQE180505 | 1804 | 499 | 511 |
| LQE180605 | 1804 | 599 | 511 |
| LQE180805 | 1804 | 799 | 511 |
| LQE200405 | 2004 | 399 | 511 |
| LQE200505 | 2004 | 499 | 511 |
| LQE200605 | 2004 | 599 | 511 |
| LQE200805 | 2004 | 799 | 511 |
| LQE220405 | 2204 | 399 | 511 |
| LQE220505 | 2204 | 499 | 511 |
| LQE220605 | 2204 | 599 | 511 |
| LQE220805 | 2204 | 799 | 511 |

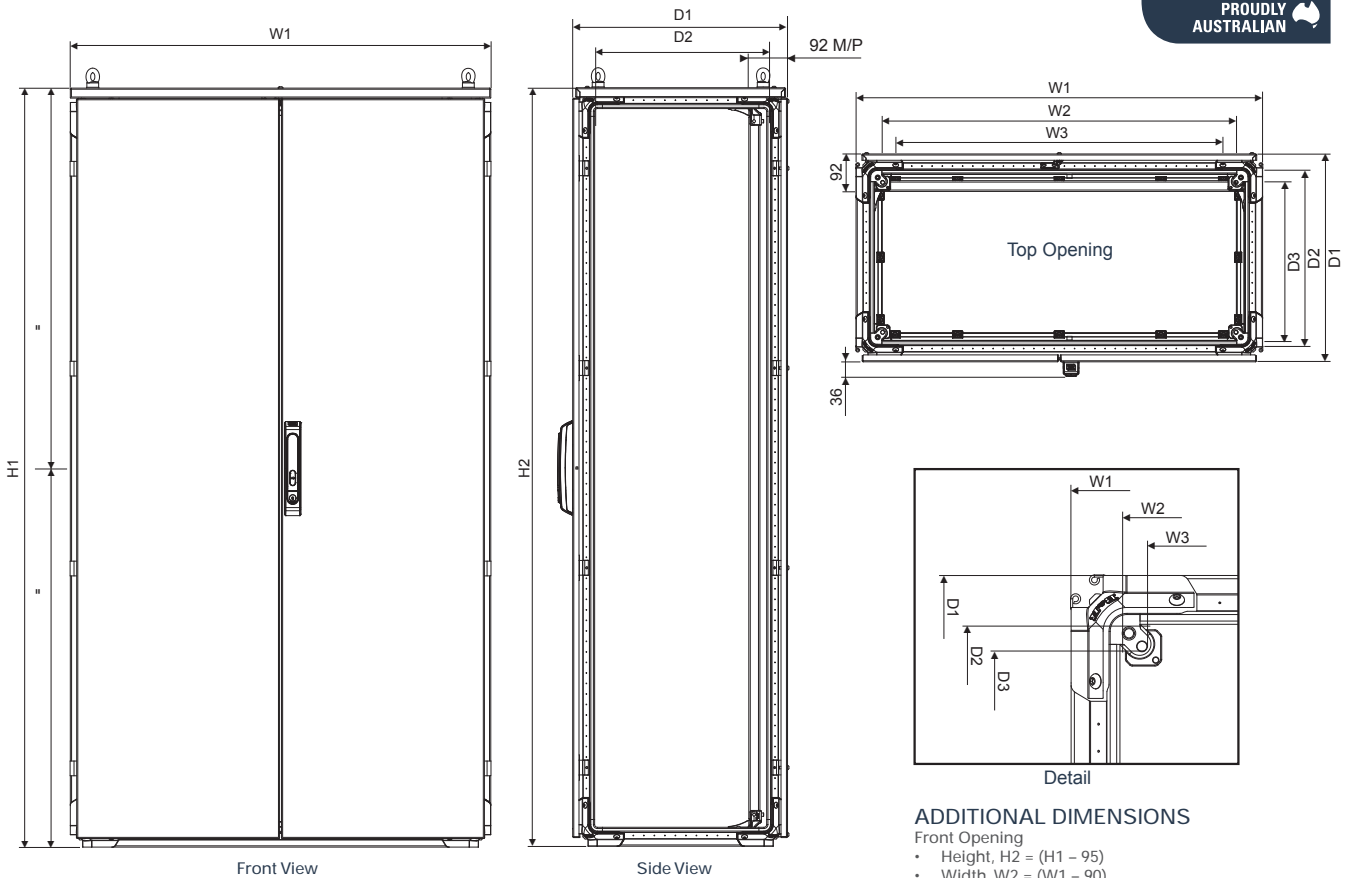
600 SERIES

| Catalogue No. | Dimensions (mm) | | |
|---------------|-----------------|------------|------------|
| | Height (H1) | Width (W1) | Depth (D1) |
| LQE140406 | 1404 | 399 | 611 |
| LQE140506 | 1404 | 499 | 611 |
| LQE140606 | 1404 | 599 | 611 |
| LQE140806 | 1404 | 799 | 611 |
| LQE160406 | 1604 | 399 | 611 |
| LQE160506 | 1604 | 499 | 611 |
| LQE160606 | 1604 | 599 | 611 |
| LQE160806 | 1604 | 799 | 611 |
| LQE180406 | 1804 | 399 | 611 |
| LQE180506 | 1804 | 499 | 611 |
| LQE180606 | 1804 | 599 | 611 |
| LQE180806 | 1804 | 799 | 611 |
| LQE200406 | 2004 | 399 | 611 |
| LQE200506 | 2004 | 499 | 611 |
| LQE200606 | 2004 | 599 | 611 |
| LQE200806 | 2004 | 799 | 611 |
| LQE220406 | 2204 | 399 | 611 |
| LQE220506 | 2204 | 499 | 611 |
| LQE220606 | 2204 | 599 | 611 |
| LQE220806 | 2204 | 799 | 611 |

800 SERIES

| Catalogue No. | Dimensions (mm) | | |
|---------------|-----------------|------------|------------|
| | Height (H1) | Width (W1) | Depth (D1) |
| LQE140408 | 1404 | 399 | 811 |
| LQE140508 | 1404 | 499 | 811 |
| LQE140608 | 1404 | 599 | 811 |
| LQE140808 | 1404 | 799 | 811 |
| LQE160408 | 1604 | 399 | 811 |
| LQE160508 | 1604 | 499 | 811 |
| LQE160608 | 1604 | 599 | 811 |
| LQE160808 | 1604 | 799 | 811 |
| LQE180408 | 1804 | 399 | 811 |
| LQE180508 | 1804 | 499 | 811 |
| LQE180608 | 1804 | 599 | 811 |
| LQE180808 | 1804 | 799 | 811 |
| LQE200408 | 2004 | 399 | 811 |
| LQE200508 | 2004 | 499 | 811 |
| LQE200608 | 2004 | 599 | 811 |
| LQE200808 | 2004 | 799 | 811 |
| LQE220408 | 2204 | 399 | 811 |
| LQE220508 | 2204 | 499 | 811 |
| LQE220608 | 2204 | 599 | 811 |
| LQE220808 | 2204 | 799 | 811 |

**ILINQ QUICK SELECTION GUIDE (LQE)
DOUBLE DOOR ENCLOSURE DRAWING**



ADDITIONAL DIMENSIONS

- Front Opening
- Height, H2 = (H1 - 95)
 - Width, W2 = (W1 - 90)
- Side Opening
- Height, H2 = (H1 - 95)
 - Depth, D2 = (D1 - 102)
- Top Opening
- Width, W2 = (W1 - 90)
 - Depth, D2 = (D1 - 102)
- Bottom Fixings
- Width, W3 = (W1 - 130.5)
 - Depth, D3 = (D1 - 142.5)

400 SERIES

| Catalogue No. | Dimensions (mm) | | |
|---------------|-----------------|------------|------------|
| | Height (H1) | Width (W1) | Depth (D1) |
| LQE140604/DD | 1404 | 599 | 411 |
| LQE140804/DD | 1404 | 799 | 411 |
| LQE141004/DD | 1404 | 999 | 411 |
| LQE141204/DD | 1404 | 1199 | 411 |
| LQE160604/DD | 1604 | 599 | 411 |
| LQE160804/DD | 1604 | 799 | 411 |
| LQE161004/DD | 1604 | 999 | 411 |
| LQE161204/DD | 1604 | 1199 | 411 |
| LQE180604/DD | 1804 | 599 | 411 |
| LQE180804/DD | 1804 | 799 | 411 |
| LQE181004/DD | 1804 | 999 | 411 |
| LQE181204/DD | 1804 | 1199 | 411 |
| LQE200604/DD | 2004 | 599 | 411 |
| LQE200804/DD | 2004 | 799 | 411 |
| LQE201004/DD | 2004 | 999 | 411 |
| LQE201204/DD | 2004 | 1199 | 411 |
| LQE220604/DD | 2204 | 599 | 411 |
| LQE220804/DD | 2204 | 799 | 411 |
| LQE221004/DD | 2204 | 999 | 411 |
| LQE221204/DD | 2204 | 1199 | 411 |

500 SERIES

| Catalogue No. | Dimensions (mm) | | |
|---------------|-----------------|------------|------------|
| | Height (H1) | Width (W1) | Depth (D1) |
| LQE140605/DD | 1404 | 599 | 511 |
| LQE140805/DD | 1404 | 799 | 511 |
| LQE141005/DD | 1404 | 999 | 511 |
| LQE141205/DD | 1404 | 1199 | 511 |
| LQE160605/DD | 1604 | 599 | 511 |
| LQE160805/DD | 1604 | 799 | 511 |
| LQE161005/DD | 1604 | 999 | 511 |
| LQE161205/DD | 1604 | 1199 | 511 |
| LQE180605/DD | 1804 | 599 | 511 |
| LQE180805/DD | 1804 | 799 | 511 |
| LQE181005/DD | 1804 | 999 | 511 |
| LQE181205/DD | 1804 | 1199 | 511 |
| LQE200605/DD | 2004 | 599 | 511 |
| LQE200805/DD | 2004 | 799 | 511 |
| LQE201005/DD | 2004 | 999 | 511 |
| LQE201205/DD | 2004 | 1199 | 511 |
| LQE220605/DD | 2204 | 599 | 511 |
| LQE220805/DD | 2204 | 799 | 511 |
| LQE221005/DD | 2204 | 999 | 511 |
| LQE221205/DD | 2204 | 1199 | 511 |

600 SERIES

| Catalogue No. | Dimensions (mm) | | |
|---------------|-----------------|------------|------------|
| | Height (H1) | Width (W1) | Depth (D1) |
| LQE140606/DD | 1404 | 599 | 611 |
| LQE140806/DD | 1404 | 799 | 611 |
| LQE141006/DD | 1404 | 999 | 611 |
| LQE141206/DD | 1404 | 1199 | 611 |
| LQE160606/DD | 1604 | 599 | 611 |
| LQE160806/DD | 1604 | 799 | 611 |
| LQE161006/DD | 1604 | 999 | 611 |
| LQE161206/DD | 1604 | 1199 | 611 |
| LQE180606/DD | 1804 | 599 | 611 |
| LQE180806/DD | 1804 | 799 | 611 |
| LQE181006/DD | 1804 | 999 | 611 |
| LQE181206/DD | 1804 | 1199 | 611 |
| LQE200606/DD | 2004 | 599 | 611 |
| LQE200806/DD | 2004 | 799 | 611 |
| LQE201006/DD | 2004 | 999 | 611 |
| LQE201206/DD | 2004 | 1199 | 611 |
| LQE220606/DD | 2204 | 599 | 611 |
| LQE220806/DD | 2204 | 799 | 611 |
| LQE221006/DD | 2204 | 999 | 611 |
| LQE221206/DD | 2204 | 1199 | 611 |

800 SERIES

| Catalogue No. | Dimensions (mm) | | |
|---------------|-----------------|------------|------------|
| | Height (H1) | Width (W1) | Depth (D1) |
| LQE140608/DD | 1404 | 599 | 811 |
| LQE140808/DD | 1404 | 799 | 811 |
| LQE141008/DD | 1404 | 999 | 811 |
| LQE141208/DD | 1404 | 1199 | 811 |
| LQE160608/DD | 1604 | 599 | 811 |
| LQE160808/DD | 1604 | 799 | 811 |
| LQE161008/DD | 1604 | 999 | 811 |
| LQE161208/DD | 1604 | 1199 | 811 |
| LQE180608/DD | 1804 | 599 | 811 |
| LQE180808/DD | 1804 | 799 | 811 |
| LQE181008/DD | 1804 | 999 | 811 |
| LQE181208/DD | 1804 | 1199 | 811 |
| LQE200608/DD | 2004 | 599 | 811 |
| LQE200808/DD | 2004 | 799 | 811 |
| LQE201008/DD | 2004 | 999 | 811 |
| LQE201208/DD | 2004 | 1199 | 811 |
| LQE220608/DD | 2204 | 599 | 811 |
| LQE220808/DD | 2204 | 799 | 811 |
| LQE221008/DD | 2204 | 999 | 811 |
| LQE221208/DD | 2204 | 1199 | 811 |



3.0 Assembled
to Order



iLINQ - Assembled to Order

iLINQ is a bayable enclosure system that can be configured to suit a wide variety of applications. It features a unique symmetrical rail profile that allows components to be interchangeable whether on top, bottom, front or back. As part of the design process B&R has worked with a wide variety of industry experts to ensure iLINQ suits industry specifications and applications.

The symmetrical design of the enclosure system allows the same part to fit in many locations. The easy to use catalogue clearly lists all parts and accessories for each enclosure size. All B&R staff have had extensive assembly training and are available to help configure your iLINQ bayable enclosure system.



ORDERING iLINQ ASSEMBLED TO ORDER ENCLOSURES

iLINQ Assembled to Order allows the customer to build custom configurations and order the specific items required to fulfil a specification. For more information on how to order iLINQ Assembled to Order, see instructions below or refer to the Specification Guide sheet on page 91.

Step 1

Select a frame height from the following page which has a selection guide categorised into height (with width and depth also).

(page 30)

Step 2

Select other components to build your enclosure from the range listed in the selection table opposite.

(from page 28-75)

Step 3

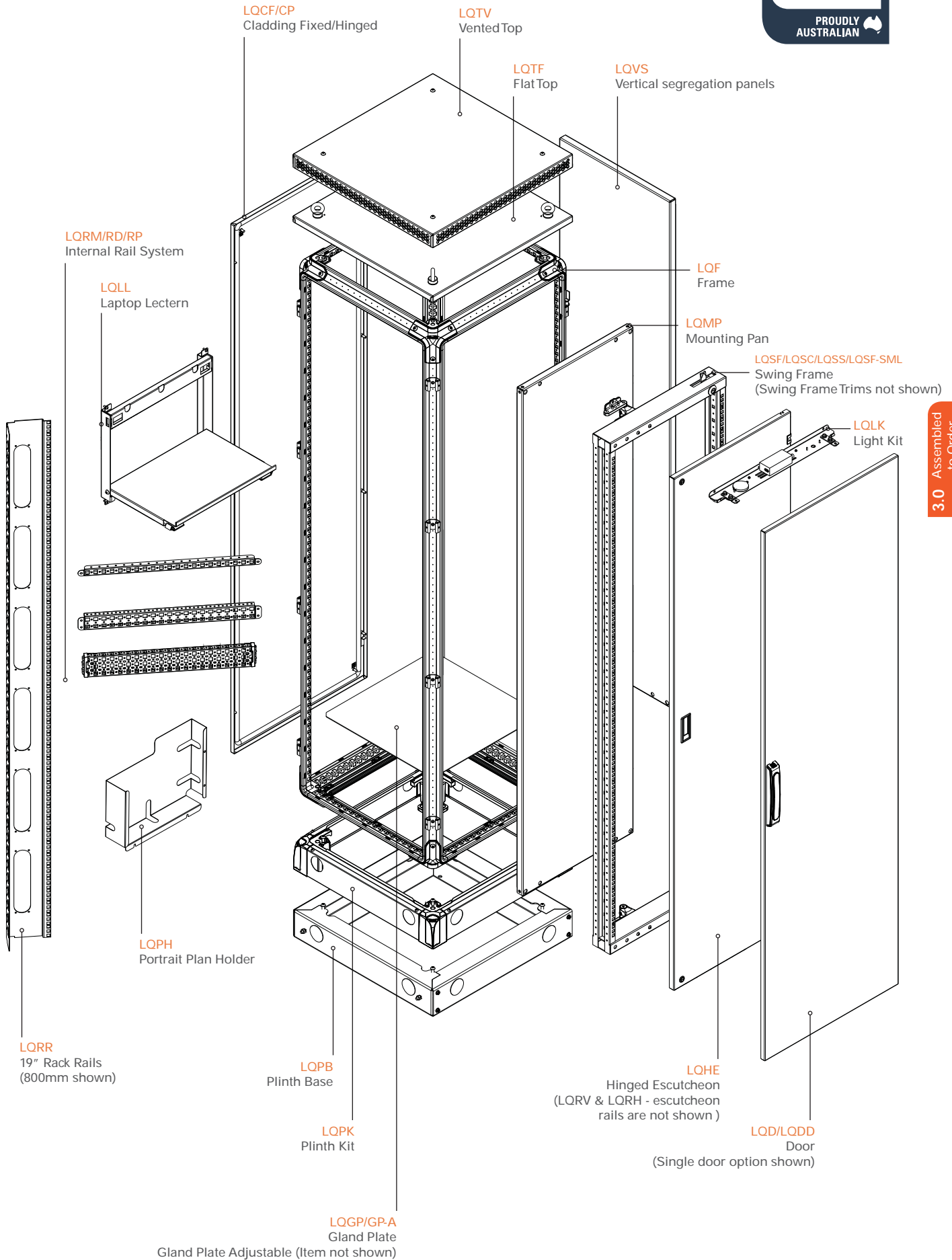
If additional information is required, see relevant catalogue page as listed in the table opposite. Each component has information on dimensions, material, advantages if required.

Step 4

Contact local sales office to place order and/or arrange for any special requirements such as punching or specific powdercoat colours.

| iLINQ Code | Description | Page Number |
|----------------|-----------------------------|-------------|
| LQF | Frame | 30-31 |
| LQD/LQDD | Doors | 32-35 |
| LQCF/LQCP | Panel (cladding) | 36-37 |
| LQTV/LQTF | Top Covers | 38-39 |
| LQP/LQPB/LQPC | Plinths | 40-45 |
| LQ GK/LQGA | Gland Plate | 46-57 |
| LQMP | Mounting Pans | 52-53 |
| LQSF/SML | Swing Frame | 54-57 |
| LQSC/LQSS | Swing Frame Trims | 58-59 |
| LQRR | 19" Rack Rails | 60-61 |
| LQRM/LQRD/LQRP | Internal Rail Systems | 62-65 |
| LQHE | Hinged Escutcheon | 66-67 |
| LQVS | Vertical Segregation Panels | 68-69 |
| LQPH | Plan Holder | 70-71 |
| LQLL | Laptop Lectern | 72-73 |
| LQLK | Light Kit | 74-75 |
| LQLA | Locks | 76 |

USER GUIDE
iLINQ – ASSEMBLED TO ORDER



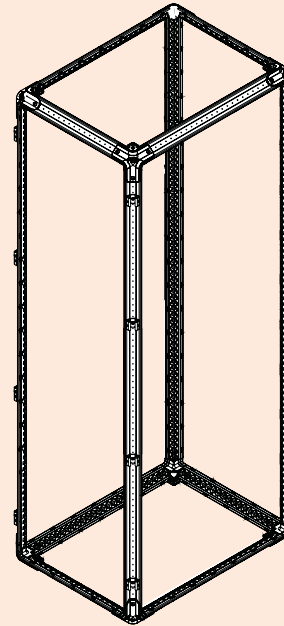
3.0 Assembled to Order

Frame – LQF



INCLUSIONS

- Symmetrical frame
- 16 cladding mounts
- Zinc passivated hinges
- Diecast steel corner tripod



ADVANTAGE

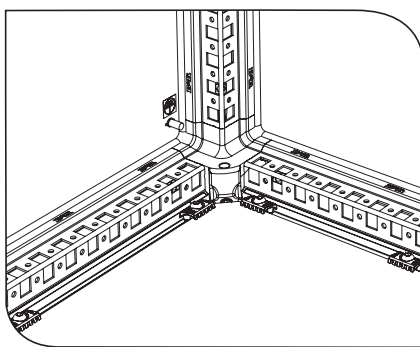
- Symmetrical on 3 planes
- Front access M6 and M8 cage nuts
- Front & rear frames are mechanically fastened and secured for added strength
- Integrated ground fixing points (M8)
- Depth rails can be disassembled to allow access through doorways

MATERIALS

- High frequency welded and strengthened galvanised steel frame
- Zinc passivated hinges
- Diecast steel corner tripod

COLOUR

- Powdercoated Light Grey RAL7035



DID YOU KNOW?
The iLINO frame allows you to position equipment without measuring – the B&R stamp is located at 100mm increments.



HELPFUL HINT:
Single door enclosures = widths (400mm, 500mm, 600mm or 800mm)

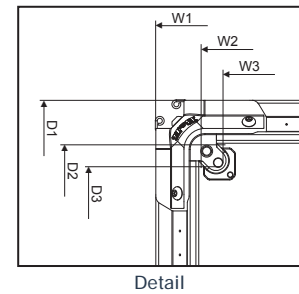
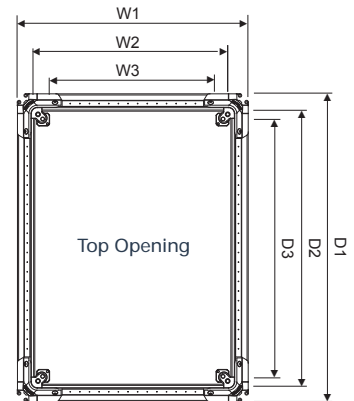
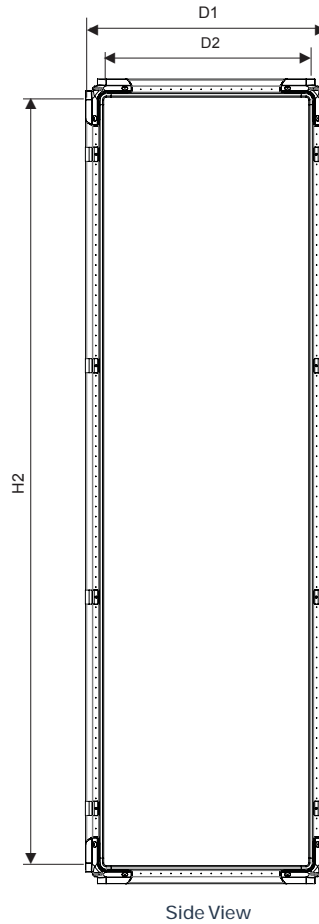
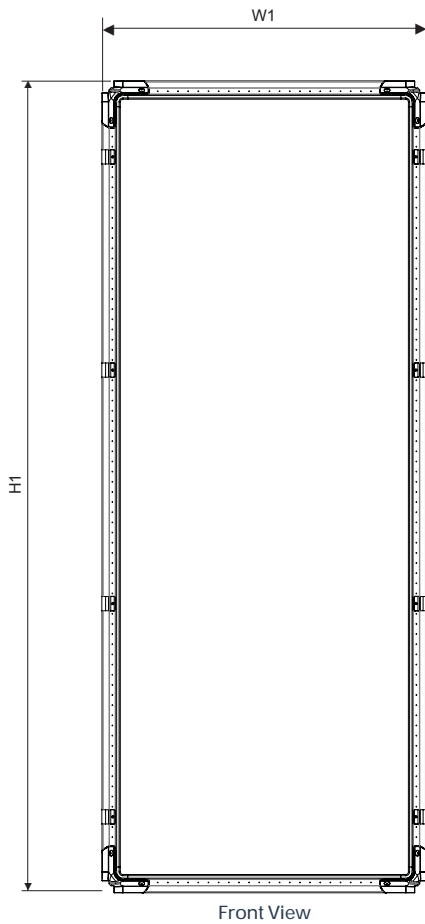
Double door enclosures = widths (600, 800, 1000mm or 1200mm)

1400MM HIGH

| Catalogue No | Dimensions (mm) | | |
|--------------|-----------------|----------|----------|
| | Height H1 | Width W1 | Depth D1 |
| LQF140404 | 1399 | 399 | 399 |
| LQF140504 | 1399 | 499 | 399 |
| LQF140604 | 1399 | 599 | 399 |
| LQF140804 | 1399 | 799 | 399 |
| LQF141004 | 1399 | 999 | 399 |
| LQF141204 | 1399 | 1199 | 399 |
| LQF140505 | 1399 | 399 | 499 |
| LQF140605 | 1399 | 599 | 499 |
| LQF140805 | 1399 | 799 | 499 |
| LQF141005 | 1399 | 999 | 499 |
| LQF141205 | 1399 | 1199 | 499 |
| LQF140606 | 1399 | 599 | 599 |
| LQF140806 | 1399 | 799 | 599 |
| LQF141006 | 1399 | 999 | 599 |
| LQF141206 | 1399 | 1199 | 599 |
| LQF140808 | 1399 | 799 | 799 |
| LQF141008 | 1399 | 999 | 799 |
| LQF141208 | 1399 | 1199 | 799 |

1600MM HIGH

| Catalogue No | Dimensions (mm) | | |
|--------------|-----------------|----------|----------|
| | Height H1 | Width W1 | Depth D1 |
| LQF160404 | 1599 | 399 | 399 |
| LQF160504 | 1599 | 499 | 399 |
| LQF160604 | 1599 | 599 | 399 |
| LQF160804 | 1599 | 799 | 399 |
| LQF161004 | 1599 | 999 | 399 |
| LQF161204 | 1599 | 1199 | 399 |
| LQF160505 | 1599 | 499 | 499 |
| LQF160605 | 1599 | 599 | 499 |
| LQF160805 | 1599 | 799 | 499 |
| LQF161005 | 1599 | 999 | 499 |
| LQF161205 | 1599 | 1199 | 499 |
| LQF160606 | 1599 | 599 | 599 |
| LQF160806 | 1599 | 799 | 599 |
| LQF161006 | 1599 | 999 | 599 |
| LQF161206 | 1599 | 1199 | 599 |
| LQF160808 | 1599 | 799 | 799 |
| LQF161008 | 1599 | 999 | 799 |
| LQF161208 | 1599 | 1199 | 799 |



ADDITIONAL DIMENSIONS

- Front Opening
 - Height, H2 = (H1 – 90)
 - Width, W2 = (W1 – 90)
- Side Opening
 - Height, H2 = (H1 – 90)
 - Depth, D2 = (D1 – 90)
- Top Opening
 - Width, W2 = (W1 – 90)
 - Depth, D2 = (D1 – 90)
- Bottom Fixings
 - Width, W3 = (W1 – 130.5)
 - Depth, D3 = (D1 – 130.5)

1800MM HIGH

| Catalogue No | Dimensions (mm) | | |
|--------------|-----------------|----------|----------|
| | Height H1 | Width W1 | Depth D1 |
| LQF180404 | 1799 | 399 | 399 |
| LQF180504 | 1799 | 499 | 399 |
| LQF180604 | 1799 | 599 | 399 |
| LQF180804 | 1799 | 799 | 399 |
| LQF181004 | 1799 | 999 | 399 |
| LQF181204 | 1799 | 1199 | 399 |
| LQF180505 | 1799 | 499 | 499 |
| LQF180605 | 1799 | 599 | 499 |
| LQF180805 | 1799 | 799 | 499 |
| LQF181005 | 1799 | 999 | 499 |
| LQF181205 | 1799 | 1199 | 499 |
| LQF180606 | 1799 | 599 | 599 |
| LQF180806 | 1799 | 799 | 599 |
| LQF181006 | 1799 | 999 | 599 |
| LQF181206 | 1799 | 1199 | 599 |
| LQF180808 | 1799 | 799 | 799 |
| LQF181008 | 1799 | 999 | 799 |
| LQF181208 | 1799 | 1199 | 799 |

2000MM HIGH

| Catalogue No | Dimensions (mm) | | |
|--------------|-----------------|----------|----------|
| | Height H1 | Width W1 | Depth D1 |
| LQF200404 | 1999 | 399 | 399 |
| LQF200504 | 1999 | 499 | 399 |
| LQF200604 | 1999 | 599 | 399 |
| LQF200804 | 1999 | 799 | 399 |
| LQF201004 | 1999 | 999 | 399 |
| LQF201204 | 1999 | 1199 | 399 |
| LQF200505 | 1999 | 499 | 499 |
| LQF200605 | 1999 | 599 | 499 |
| LQF200805 | 1999 | 799 | 499 |
| LQF201005 | 1999 | 999 | 499 |
| LQF201205 | 1999 | 1199 | 499 |
| LQF200606 | 1999 | 599 | 599 |
| LQF200806 | 1999 | 799 | 599 |
| LQF201006 | 1999 | 999 | 599 |
| LQF201206 | 1999 | 1199 | 599 |
| LQF200808 | 1999 | 799 | 799 |
| LQF201008 | 1999 | 999 | 799 |
| LQF201208 | 1999 | 1199 | 799 |

2200MM HIGH

| Catalogue No | Dimensions (mm) | | |
|--------------|-----------------|----------|----------|
| | Height H1 | Width W1 | Depth D1 |
| LQF220404 | 2199 | 399 | 399 |
| LQF220504 | 2199 | 499 | 399 |
| LQF220604 | 2199 | 599 | 399 |
| LQF220804 | 2199 | 799 | 399 |
| LQF221004 | 2199 | 999 | 399 |
| LQF221204 | 2199 | 1199 | 399 |
| LQF220505 | 2199 | 499 | 499 |
| LQF220605 | 2199 | 599 | 499 |
| LQF220805 | 2199 | 799 | 499 |
| LQF221005 | 2199 | 999 | 499 |
| LQF221205 | 2199 | 1199 | 499 |
| LQF220606 | 2199 | 599 | 599 |
| LQF220806 | 2199 | 799 | 599 |
| LQF221006 | 2199 | 999 | 599 |
| LQF221206 | 2199 | 1199 | 599 |
| LQF220808 | 2199 | 799 | 799 |
| LQF221008 | 2199 | 999 | 799 |
| LQF221208 | 2199 | 1199 | 799 |

Single Door - LQD

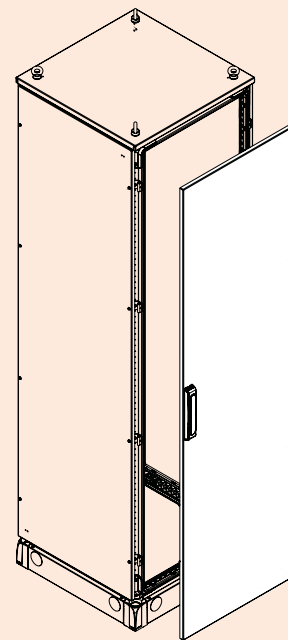


INCLUSIONS

- 19x19mm door stiffener rails
- 4 hinge and locking points
- Keylockable swing handle (92268)
- Earth strap kit

LOCK OPTIONS

- Padlockable swing handle (LQLPAD)
- Lock assembly 7mm square ¼ turn (LQLA7S)
 - Lock insert 8mm triangle
 - Lock insert 3mm double bit



LOAD
80kg



iLINO LQD Doors Assembly Manual
« QR Download

ADVANTAGE

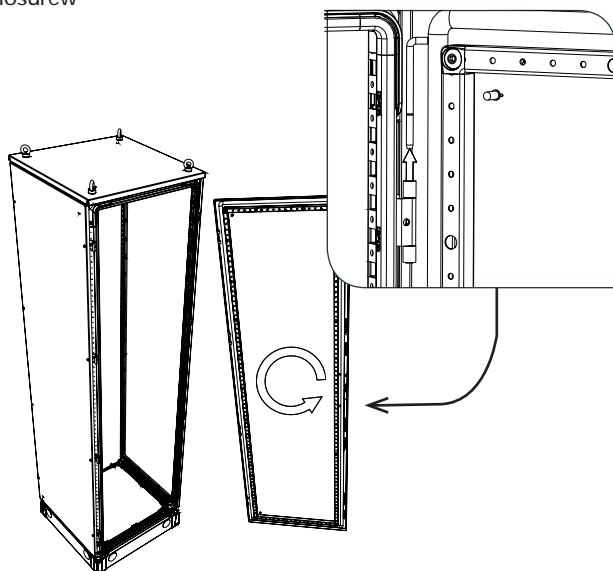
- Support loads up to 80kg
- 4 hinge and locking points
- Symmetrical design
- Quick & easy installation
- Patented, ergonomically designed swing handle included
- Design allows 4 doors to be fitted (left or right hand) to all sides of the enclosure

MATERIALS

- Body – zinc coated steel
- Thickness – 1.6mm
- Zinc hinge pins
- Gasket – polyurethane formed in place

FINISH

- Powdercoated Light Grey RAL7035



Locking rod design



Keylockable Swing Handle (92268)



Polyurethane gasket and hinge pins



Viewing window door



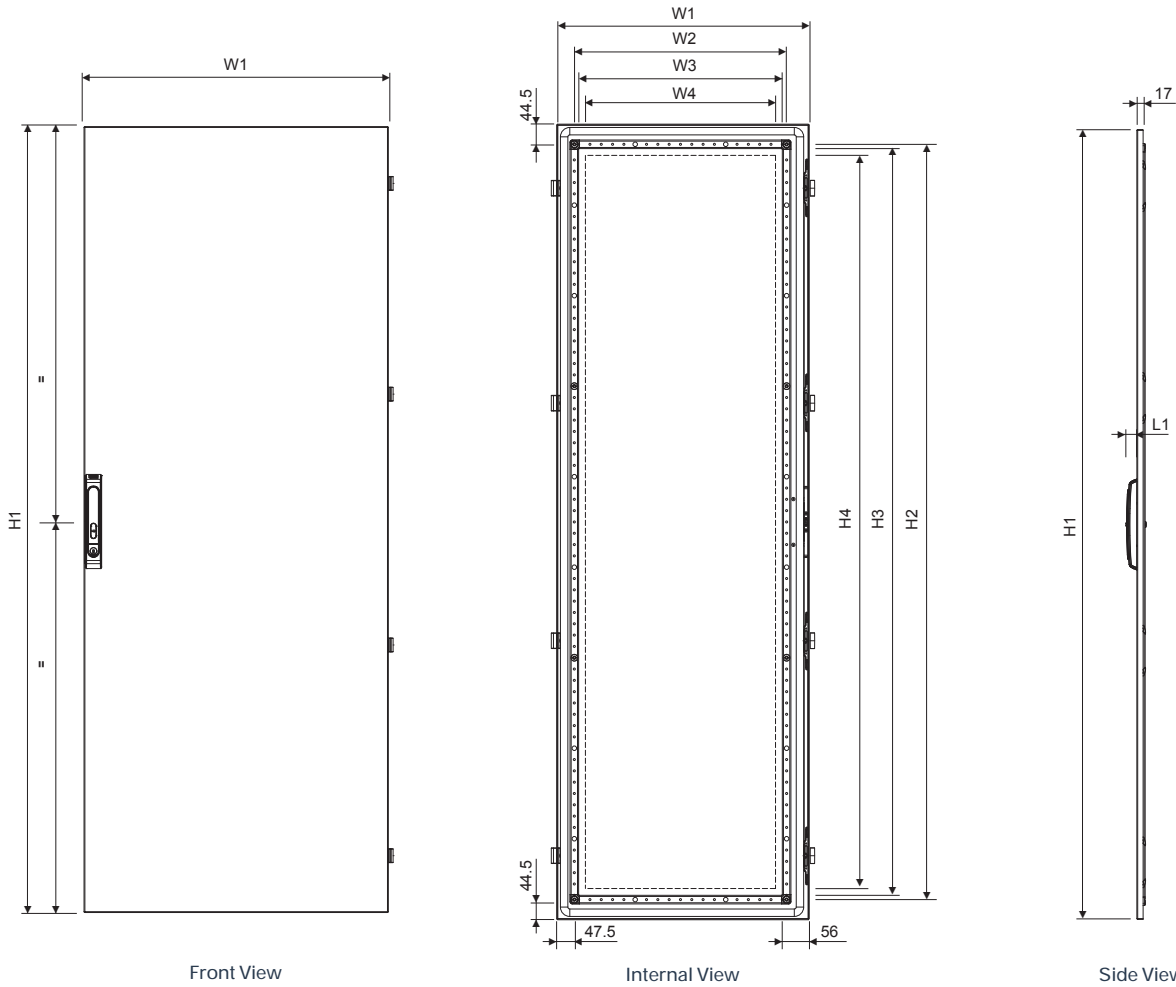
DID YOU KNOW?

iLINO's unique symmetrical design allows doors to be rehinged by one person in 3 minutes or less.



HELPFUL HINT:

Locking options for doors are available and can be found on page 76



Front View

Internal View

Side View

| Catalogue No | | | Dimensions (mm) | | | | | | | |
|--------------|-------------|-------------|----------------------|------------|-------------------------|------------|-------------------------|------------|----------------|------------|
| | | | External Single Door | | Door Rail Fixing Points | | Internal Stiffener Rail | | Window Opening | |
| Solid Door | Window Door | Vented Door | Height (H1) | Width (W1) | Height (H2) | Width (W2) | Height (H3) | Width (W3) | Height (H4) | Width (W4) |
| LQD1404 | - | - | 1358 | 372 | 1269 | 269 | 1250 | 250 | - | - |
| LQD1405 | LQD1405/W | LQD1405/V | 1358 | 472 | 1269 | 369 | 1250 | 350 | 1220 | 320 |
| LQD1406 | LQD1406/W | LQD1406/V | 1358 | 572 | 1269 | 469 | 1250 | 450 | 1220 | 420 |
| LQD1408 | LQD1408/W | LQD1408/V | 1358 | 772 | 1269 | 669 | 1250 | 650 | 1220 | 620 |
| LQD1604 | - | - | 1558 | 372 | 1469 | 269 | 1450 | 250 | - | - |
| LQD1605 | LQD1605/W | LQD1605/V | 1558 | 472 | 1469 | 369 | 1450 | 350 | 1420 | 320 |
| LQD1606 | LQD1606/W | LQD1606/V | 1558 | 572 | 1469 | 469 | 1450 | 450 | 1420 | 420 |
| LQD1608 | LQD1608/W | LQD1608/V | 1558 | 772 | 1469 | 669 | 1450 | 650 | 1420 | 620 |
| LQD1804 | - | - | 1758 | 372 | 1669 | 269 | 1650 | 250 | - | - |
| LQD1805 | LQD1805/W | LQD1805/V | 1758 | 472 | 1669 | 369 | 1650 | 350 | 1620 | 320 |
| LQD1806 | LQD1806/W | LQD1806/V | 1758 | 572 | 1669 | 469 | 1650 | 450 | 1620 | 420 |
| LQD1808 | LQD1808/W | LQD1808/V | 1758 | 772 | 1669 | 669 | 1650 | 650 | 1620 | 620 |
| LQD2004 | - | - | 1958 | 372 | 1869 | 269 | 1850 | 250 | - | - |
| LQD2005 | LQD2005/W | LQD2005/V | 1958 | 472 | 1869 | 369 | 1850 | 350 | 1820 | 320 |
| LQD2006 | LQD2006/W | LQD2006/V | 1958 | 572 | 1869 | 469 | 1850 | 450 | 1820 | 420 |
| LQD2008 | LQD2008/W | LQD2008/V | 1958 | 772 | 1869 | 669 | 1850 | 650 | 1820 | 620 |
| LQD2204 | - | - | 2158 | 372 | 2069 | 269 | 2050 | 250 | - | - |
| LQD2205 | LQD2205/W | LQD2205/V | 2158 | 472 | 2069 | 369 | 2050 | 350 | 2020 | 320 |
| LQD2206 | LQD2206/W | LQD2206/V | 2158 | 572 | 2069 | 469 | 2050 | 450 | 2020 | 420 |
| LQD2208 | LQD2208/W | LQD2208/V | 2158 | 772 | 2069 | 669 | 2050 | 650 | 2020 | 620 |

| Lock Type | Width (L1) |
|--------------------------------------|------------|
| Hasp Swing handle (LQLPAD) | 60mm |
| Swing handle (LQLS/92268) (Standard) | 36mm |
| 1/4 Turn (LQLA7S) | 26.5mm |

Double Door – LQDD

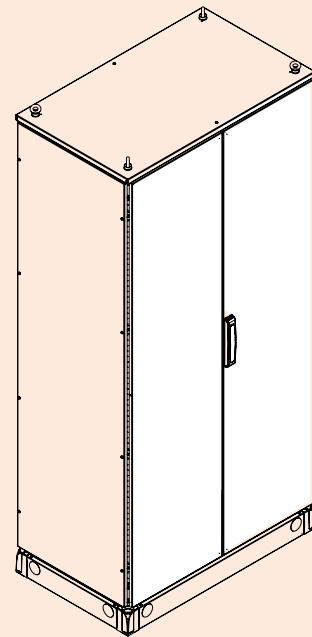


INCLUSIONS

- Symmetrical door with mullion – first closing
- Symmetrical door with lock – second closing
- 19x19mm door stiffener rail
- 4 hinge and 2 locking points on first closing door
- 4 hinge and locking points on second closing door
- Keylockable swing handle (92268)
- Earth strap kit

LOCK OPTIONS

- Padlockable swing handle (LQLPAD)
- Lock assembly 7mm square ¼ turn (LQLA7S)
 - Lock insert 8mm triangle
 - Lock insert 3mm double bit



LOAD
80kg



iLINQ LQD Doors Assembly Manual
« QR Download

ADVANTAGE

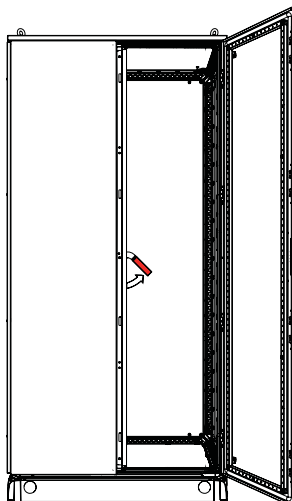
- Support loads up to 80kg per door
- 4 hinge and locking points
- Symmetrical design
- Quick & easy installation
- No centre mullion to impede access
- Quick action lock for first closing door
- 1st & 2nd closing doors can be reversed

MATERIALS

- Body – zinc coated steel
- Thickness – 1.6mm
- Gasket – polyurethane formed in place

FINISH

- Powdercoated Light Grey RAL7035



Internal lock for first closing door



Internal lock for first closing door



Keylockable Swing Handle (92268)



Polyurethane gasket and hinge pins



Locking rod latch



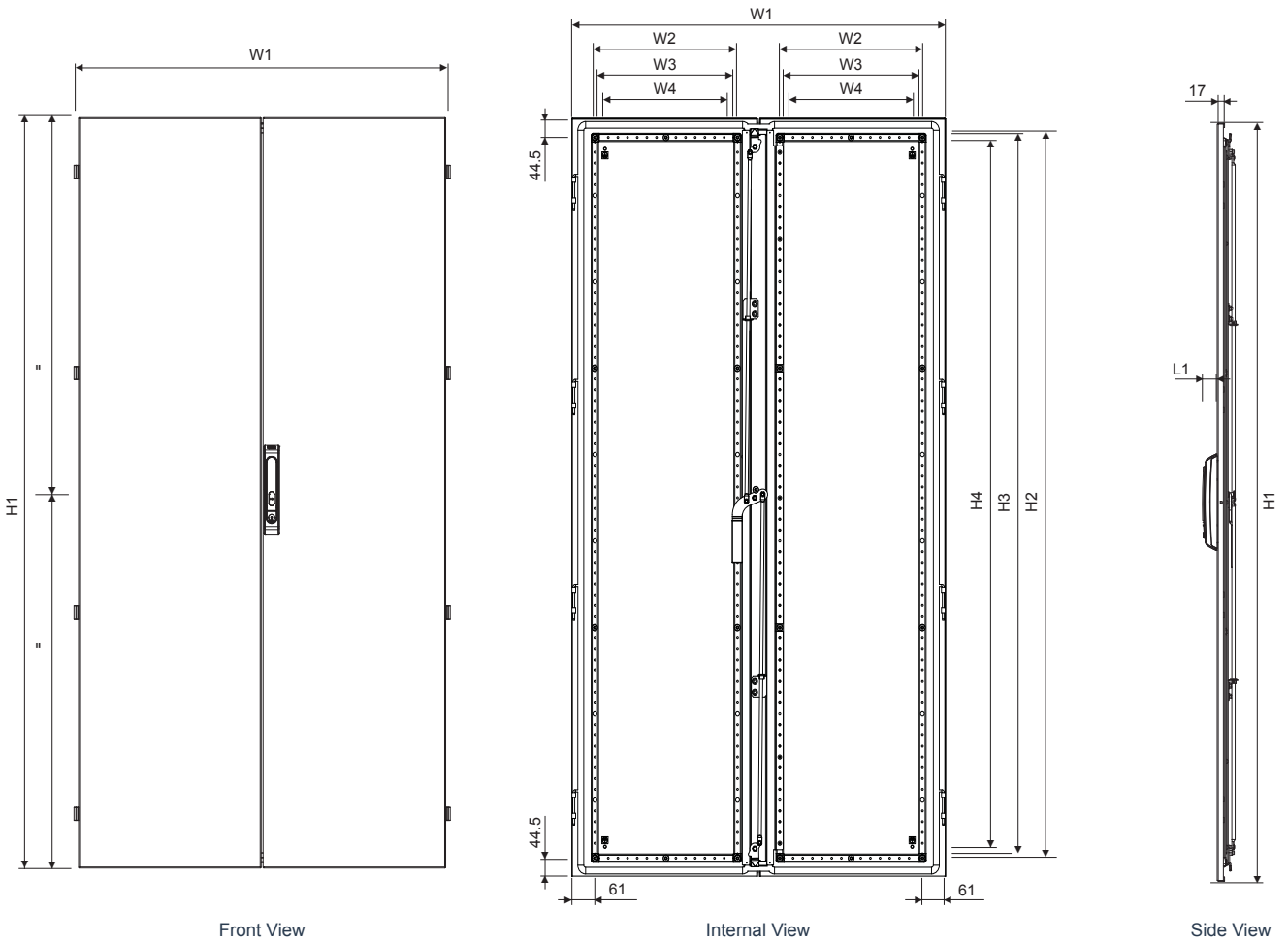
DID YOU KNOW?

iLINQ's unique symmetrical design allows doors to be rotated and rehinged by one person in under 5 minutes.



HELPFUL HINT:

Locking options for doors are available and can be found on page 76



3.0 Assembled to Order

| Catalogue No | | | Dimensions (mm) | | | | | | | |
|--------------|-------------|-------------|----------------------|------------|-------------------------|------------|-------------------------|------------|----------------|------------|
| | | | External Double Door | | Door Rail Fixing Points | | Internal Stiffener Rail | | Window Opening | |
| Solid Door | Window Door | Vented Door | Height (H1) | Width (W1) | Height (H2) | Width (W2) | Height (H3) | Width (W3) | Height (H4) | Width (W4) |
| LQDD1406 | LQDD1406/W | LQDD1406/V | 1358 | 568 | 1269 | 169 | 1250 | 150 | 1220 | 120 |
| LQDD1408 | LQDD1408/W | LQDD1408/V | 1358 | 768 | 1269 | 269 | 1250 | 250 | 1220 | 220 |
| LQDD1410 | LQDD1410/W | LQDD1410/V | 1358 | 968 | 1269 | 369 | 1250 | 350 | 1220 | 320 |
| LQDD1412 | LQDD1412/W | LQDD1412/V | 1358 | 1168 | 1269 | 469 | 1250 | 450 | 1220 | 420 |
| LQDD1606 | LQDD1606/W | LQDD1606/V | 1558 | 568 | 1469 | 169 | 1450 | 150 | 1420 | 120 |
| LQDD1608 | LQDD1608/W | LQDD1608/V | 1558 | 768 | 1469 | 269 | 1450 | 250 | 1420 | 220 |
| LQDD1610 | LQDD1610/W | LQDD1610/V | 1558 | 968 | 1469 | 369 | 1450 | 350 | 1420 | 320 |
| LQDD1612 | LQDD1612/W | LQDD1612/V | 1558 | 1168 | 1469 | 469 | 1450 | 450 | 1420 | 420 |
| LQDD1806 | LQDD1806/W | LQDD1806/V | 1758 | 568 | 1669 | 169 | 1650 | 150 | 1620 | 120 |
| LQDD1808 | LQDD1808/W | LQDD1808/V | 1758 | 768 | 1669 | 269 | 1650 | 250 | 1620 | 220 |
| LQDD1810 | LQDD1810/W | LQDD1810/V | 1758 | 968 | 1669 | 369 | 1650 | 350 | 1620 | 320 |
| LQDD1812 | LQDD1812/W | LQDD1812/V | 1758 | 1168 | 1669 | 469 | 1650 | 450 | 1620 | 420 |
| LQDD2006 | LQDD2006/W | LQDD2006/V | 1958 | 568 | 1869 | 169 | 1850 | 150 | 1820 | 120 |
| LQDD2008 | LQDD2008/W | LQDD2008/V | 1958 | 768 | 1869 | 269 | 1850 | 250 | 1820 | 220 |
| LQDD2010 | LQDD2010/W | LQDD2010/V | 1958 | 968 | 1869 | 369 | 1850 | 350 | 1820 | 320 |
| LQDD2012 | LQDD2012/W | LQDD2012/V | 1958 | 1168 | 1869 | 469 | 1850 | 450 | 1820 | 420 |
| LQDD2206 | LQDD2206/W | LQDD2206/V | 2158 | 568 | 2069 | 169 | 2050 | 150 | 2020 | 120 |
| LQDD2208 | LQDD2208/W | LQDD2208/V | 2158 | 768 | 2069 | 269 | 2050 | 250 | 2020 | 220 |
| LQDD2210 | LQDD2210/W | LQDD2210/V | 2158 | 968 | 2069 | 369 | 2050 | 350 | 2020 | 320 |
| LQDD2212 | LQDD2212/W | LQDD2212/V | 2158 | 1168 | 2069 | 469 | 2050 | 450 | 2020 | 420 |

| Lock Type | Width (L1) |
|--------------------------------------|------------|
| Hasp Swing handle (LQLPAD) | 60mm |
| Swing handle (LQLS/92268) (Standard) | 36mm |
| 1/4 Turn (LQLA7S) | 26.5mm |

Cladding Panels – LQCF/CP

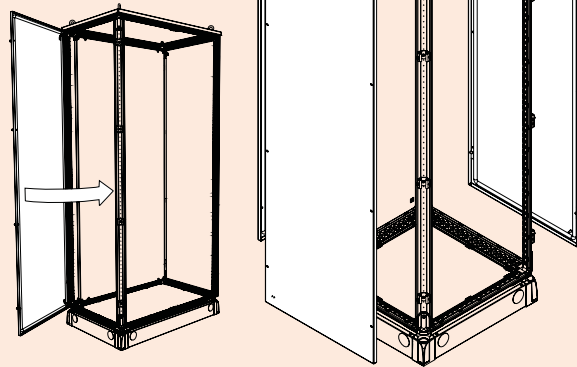


INCLUSIONS - CF (FIXED)

- Symmetrical fixed panel
- Eight M6 x 12 button head hex drive set screws
- Earth strap kit

INCLUSIONS - CP (HINGED)

- Symmetrical hinged panel
- Four M6 x 12 button head hex drive set screws
- 4 hinges
- Earth strap kit



iLINO LQCF/CP Cladding Panels Assembly Manual
 ◀ QR Download

ADVANTAGE

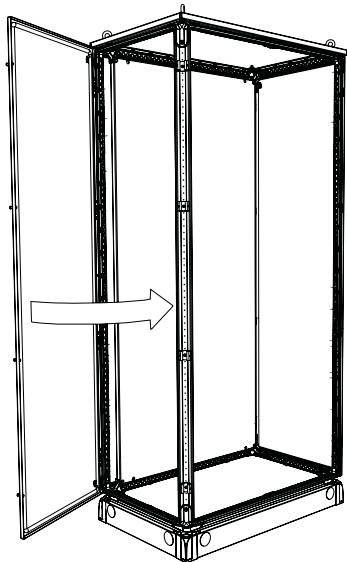
- Fit to any vertical frame surface
- Option of fixed or hinged cladding
- Supports loads of up to 80kg

MATERIALS

- Body – zinc coated steel
- Thickness – 1.6mm
- Gasket – polyurethane formed in place

FINISH

- Powdercoated Light Grey RAL7035



Fixed cladding



Earthing points for certification



Hinged cladding pins



DID YOU KNOW?

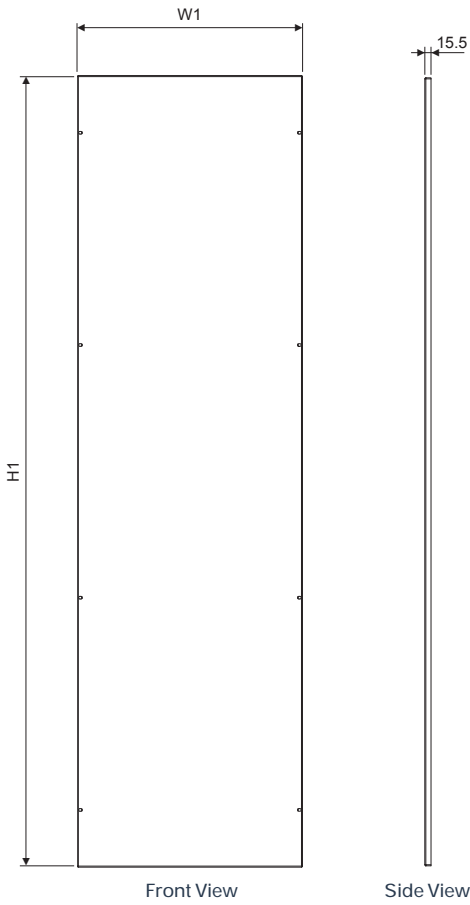
iLINO's unique symmetrical design allows hinged (CP) cladding to be rotated and rehinged by one person in under 3 minutes.



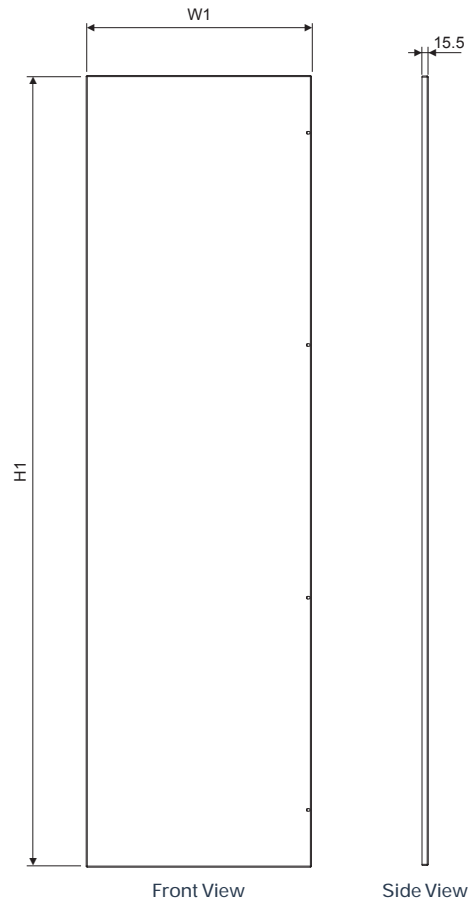
HELPFUL HINT:

Cladding panels can be used on all enclosure sides and are completely symmetrical. "CF" panels are screw fixed on both sides, whereas "CP" panels are screw fixed on one side and hinged on the other.

CLADDING FIXED (CF)



CLADDING HINGED (CP)



1400MM HIGH

| Catalogue No. | | Dimensions (mm) | |
|---------------|--------------|-----------------|------------|
| Fixed Panel | Hinged Panel | Height (H1) | Width (W1) |
| LQCF1404 | LQCP1404 | 1358 | 370 |
| LQCF1405 | LQCP1405 | 1358 | 470 |
| LQCF1406 | LQCP1406 | 1358 | 570 |
| LQCF1408 | LQCP1408 | 1358 | 770 |
| LQCF1410 | LQCP1410 | 1358 | 970 |
| LQCF1412 | LQCP1412 | 1358 | 1170 |

1600MM HIGH

| Catalogue No. | | Dimensions (mm) | |
|---------------|--------------|-----------------|------------|
| Fixed Panel | Hinged Panel | Height (H1) | Width (W1) |
| LQCF1604 | LQCP1604 | 1558 | 370 |
| LQCF1605 | LQCP1605 | 1558 | 470 |
| LQCF1606 | LQCP1606 | 1558 | 570 |
| LQCF1608 | LQCP1608 | 1558 | 770 |
| LQCF1610 | LQCP1610 | 1558 | 970 |
| LQCF1612 | LQCP1612 | 1558 | 1170 |

1800MM HIGH

| Catalogue No. | | Dimensions (mm) | |
|---------------|--------------|-----------------|------------|
| Fixed Panel | Hinged Panel | Height (H1) | Width (W1) |
| LQCF1804 | LQCP1804 | 1758 | 370 |
| LQCF1805 | LQCP1805 | 1758 | 470 |
| LQCF1806 | LQCP1806 | 1758 | 570 |
| LQCF1808 | LQCP1808 | 1758 | 770 |
| LQCF1810 | LQCP1810 | 1758 | 970 |
| LQCF1812 | LQCP1812 | 1758 | 1170 |

2000MM HIGH

| Catalogue No. | | Dimensions (mm) | |
|---------------|--------------|-----------------|------------|
| Fixed Panel | Hinged Panel | Height (H1) | Width (W1) |
| LQCF2004 | LQCP2004 | 1958 | 370 |
| LQCF2005 | LQCP2005 | 1958 | 470 |
| LQCF2006 | LQCP2006 | 1958 | 570 |
| LQCF2008 | LQCP2008 | 1958 | 770 |
| LQCF2010 | LQCP2010 | 1958 | 970 |
| LQCF2012 | LQCP2012 | 1958 | 1170 |

2200MM HIGH

| Catalogue No. | | Dimensions (mm) | |
|---------------|--------------|-----------------|------------|
| Fixed Panel | Hinged Panel | Height (H1) | Width (W1) |
| LQCF2204 | LQCP2204 | 2158 | 370 |
| LQCF2205 | LQCP2205 | 2158 | 470 |
| LQCF2206 | LQCP2206 | 2158 | 570 |
| LQCF2208 | LQCP2208 | 2158 | 770 |
| LQCF2210 | LQCP2210 | 2158 | 970 |
| LQCF2212 | LQCP2212 | 2158 | 1170 |



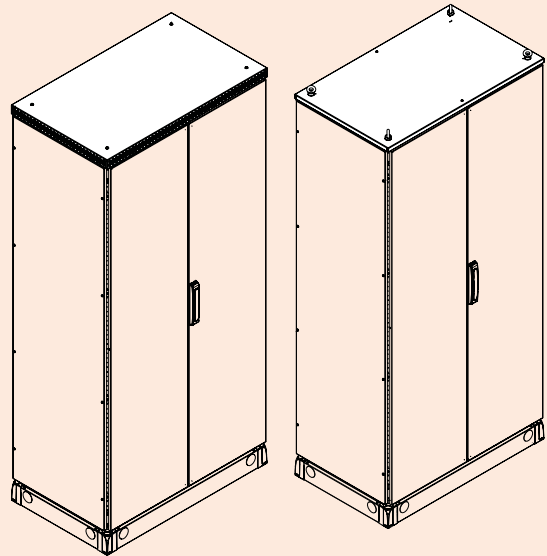
Top Covers – LOTF/TV

INCLUSIONS (FLAT TOP COVER)

- Symmetrical flat top
- 4 x M12 eyebolts
- Sealing washers
- 4 x internal tube nut fixings (Double door enclosures have 6 fixing points)
- Earth strap kit
- All fixings

INCLUSIONS (VENTED TOP COVER)

- Symmetrical vented top
- 4 x M8 x 50 hexagonal spacers
- 8 x M8 x 25 button head hex drive set screws
- 8 x M8 star washers
- Earth strap kit
- All fixings



iLINQ LOTF/V Top Covers Assembly Manual
 < QR Download

ADVANTAGE

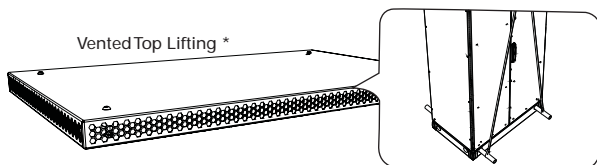
- Flat or vented options available
- Comes with four M12 eyebolts for lifting (SWL 1500kg)

MATERIALS

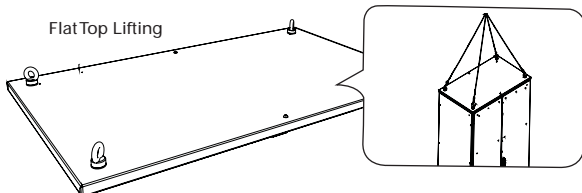
- Body – zinc coated steel
- Thickness – 1.6mm
- Gasket – polyurethane formed in place

COLOUR

- Powdercoated Light Grey RAL7035



* Requires plinth - See page 40-42



Vented top detail



Flat top with lifting bolts



DID YOU KNOW?

iLINQ's flat top covers have a 1500kg lifting approval certification when installed to enclosure frame.

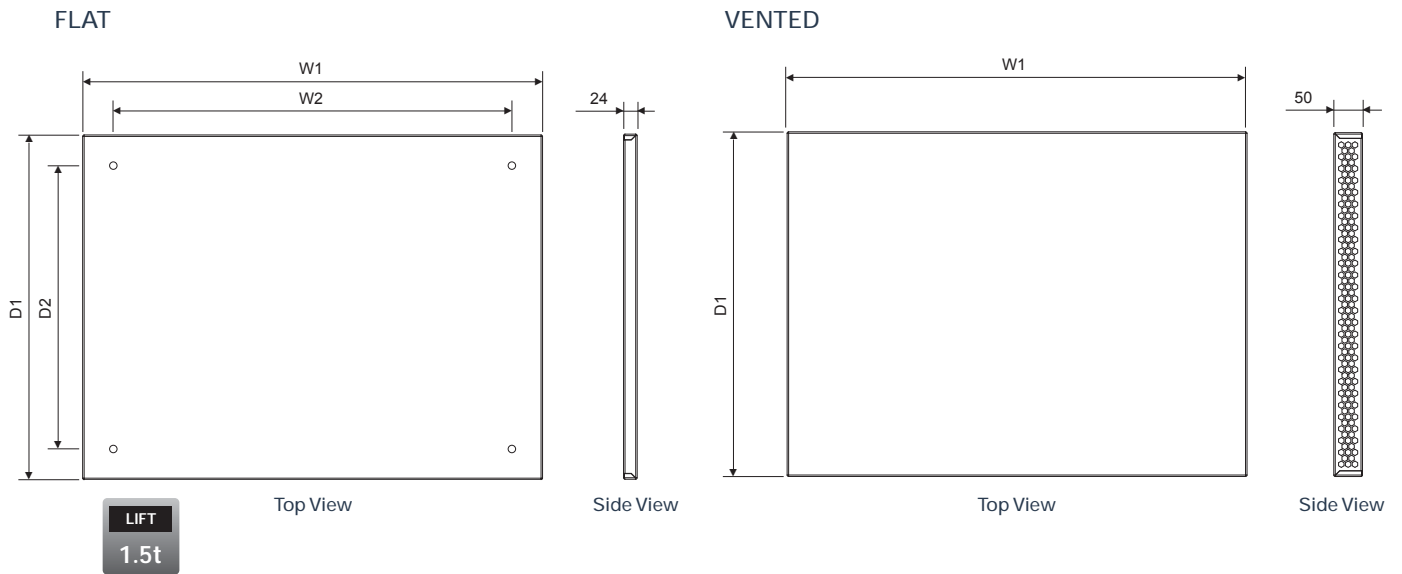


HELPFUL HINT:

If you require overhead lifting during transport or installation, a flat top cover is required (vented tops are not suitable for top lifting).



iLINQ Transport and Lifting Manual
 < QR Download



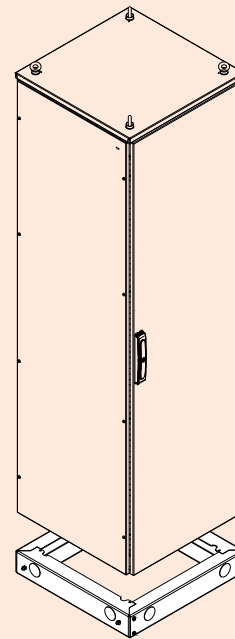
| Catalogue No. | | External Dimensions (mm) | | Fixing Dimensions (mm) | |
|---------------|------------|--------------------------|------------|------------------------|------------|
| Flat Top | Vented Top | Width (W1) | Depth (D1) | Width (W2) | Depth (D2) |
| LQTF0404 | LQTV0404 | 399 | 399 | 292 | 292 |
| LQTF0405 | LQTV0405 | 399 | 499 | 292 | 392 |
| LQTF0406 | LQTV0406 | 399 | 599 | 292 | 492 |
| LQTF0408 | LQTV0408 | 399 | 799 | 292 | 692 |
| LQTF0410 | LQTV0410 | 399 | 999 | 292 | 892 |
| LQTF0412 | LQTV0412 | 399 | 1999 | 292 | 1092 |
| LQTF0504 | LQTV0504 | 499 | 399 | 392 | 292 |
| LQTF0505 | LQTV0505 | 499 | 499 | 392 | 392 |
| LQTF0506 | LQTV0506 | 499 | 599 | 392 | 492 |
| LQTF0508 | LQTV0508 | 499 | 799 | 392 | 692 |
| LQTF0510 | LQTV0510 | 499 | 999 | 392 | 892 |
| LQTF0512 | LQTV0512 | 499 | 1999 | 392 | 1092 |
| LQTF0604 | LQTV0604 | 599 | 399 | 492 | 292 |
| LQTF0605 | LQTV0605 | 599 | 499 | 492 | 392 |
| LQTF0606 | LQTV0606 | 599 | 599 | 492 | 492 |
| LQTF0608 | LQTV0608 | 599 | 799 | 492 | 692 |
| LQTF0610 | LQTV0610 | 599 | 999 | 492 | 892 |
| LQTF0612 | LQTV0612 | 599 | 1999 | 492 | 1092 |
| LQTF0804 | LQTV0804 | 799 | 399 | 692 | 292 |
| LQTF0805 | LQTV0805 | 799 | 499 | 692 | 392 |
| LQTF0806 | LQTV0806 | 799 | 599 | 692 | 492 |
| LQTF0808 | LQTV0808 | 799 | 799 | 692 | 692 |
| LQTF0810 | LQTV0810 | 799 | 999 | 692 | 892 |
| LQTF0812 | LQTV0812 | 799 | 1999 | 692 | 1092 |
| LQTF1004 | LQTV1004 | 999 | 399 | 892 | 292 |
| LQTF1005 | LQTV1005 | 999 | 499 | 892 | 392 |
| LQTF1006 | LQTV1006 | 999 | 599 | 892 | 492 |
| LQTF1008 | LQTV1008 | 999 | 799 | 892 | 692 |
| LQTF1204 | LQTV1204 | 1199 | 399 | 1092 | 292 |
| LQTF1205 | LQTV1205 | 1199 | 499 | 1092 | 392 |
| LQTF1206 | LQTV1206 | 1199 | 599 | 1092 | 492 |
| LQTF1208 | LQTV1208 | 1199 | 799 | 1092 | 692 |

Plinth Base - LQPB



INCLUSIONS

- Plinth mounting base
- All fixings



LOAD
1.3t



iLINO LQPB Plinth Base Assembly Manual
 « QR Download

ADVANTAGE

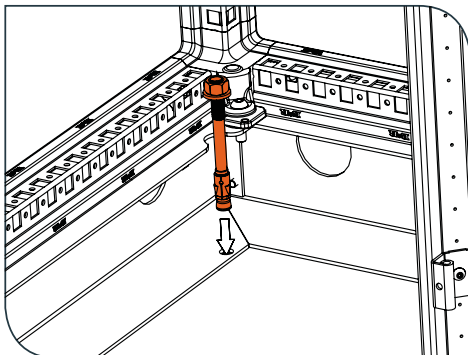
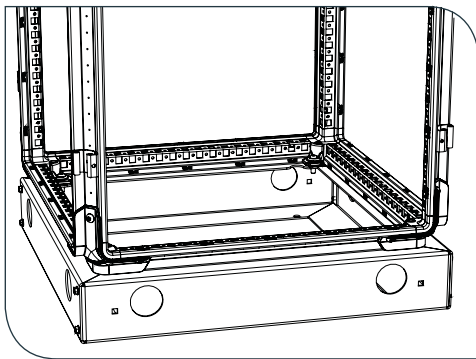
- Suitable for installation via pipe rollers
- Access for pipe lifting
- Heavy duty
- Removable front access cover

MATERIALS

- Galvanised steel
- Thickness – 3mm
- Gasket – closed cell neoprene

FINISH

- Powdercoated Textured Matt Black



Integrated fixing points
 Note: Anchor bolt not supplied



Plinth Base lifting knock-outs



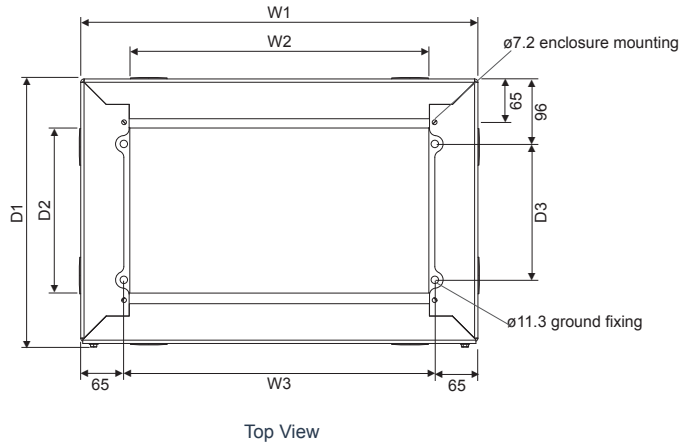
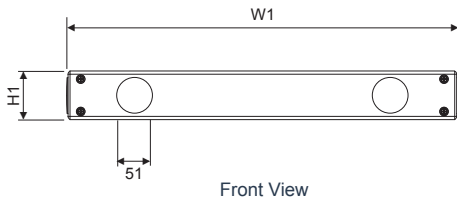
Plinth Base



HELPFUL HINT:

Plinth bases offer a robust, sheet metal alternative suitable for moving your enclosure into place on pipe rollers.

PLINTH MOUNTING BASE



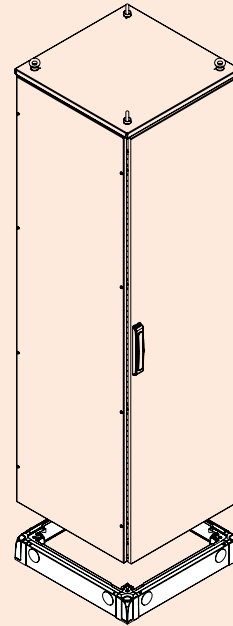
| Catalogue No. | External Dimensions (mm) | | | Opening Dimensions (mm) | | Mounting Centres (mm) | |
|---------------|--------------------------|------------|------------|-------------------------|------------|-----------------------|------------|
| | Height (H1) | Width (W1) | Depth (D1) | Width (W2) | Depth (D2) | Width (W3) | Depth (D3) |
| LQPB010404 | 100 | 399 | 399 | 251 | 251 | 269 | 205 |
| LQPB010504 | 100 | 499 | 399 | 351 | 251 | 369 | 205 |
| LQPB010604 | 100 | 599 | 399 | 451 | 251 | 469 | 205 |
| LQPB010804 | 100 | 799 | 399 | 651 | 251 | 669 | 205 |
| LQPB011004 | 100 | 999 | 399 | 851 | 251 | 869 | 205 |
| LQPB011204 | 100 | 1199 | 399 | 1051 | 251 | 1069 | 205 |
| LQPB010405 | 100 | 399 | 499 | 251 | 351 | 269 | 305 |
| LQPB010505 | 100 | 499 | 499 | 351 | 351 | 369 | 305 |
| LQPB010605 | 100 | 599 | 499 | 451 | 351 | 469 | 305 |
| LQPB010805 | 100 | 799 | 499 | 651 | 351 | 669 | 305 |
| LQPB011005 | 100 | 999 | 499 | 851 | 351 | 869 | 305 |
| LQPB011205 | 100 | 1199 | 499 | 1051 | 351 | 1069 | 305 |
| LQPB010406 | 100 | 399 | 599 | 251 | 451 | 269 | 405 |
| LQPB010506 | 100 | 499 | 599 | 351 | 451 | 369 | 405 |
| LQPB010606 | 100 | 599 | 599 | 451 | 451 | 469 | 405 |
| LQPB010806 | 100 | 799 | 599 | 651 | 451 | 669 | 405 |
| LQPB011006 | 100 | 999 | 599 | 851 | 451 | 869 | 405 |
| LQPB011206 | 100 | 1199 | 599 | 1051 | 451 | 1069 | 405 |
| LQPB010408 | 100 | 399 | 799 | 251 | 651 | 269 | 605 |
| LQPB010508 | 100 | 499 | 799 | 351 | 651 | 369 | 605 |
| LQPB010608 | 100 | 599 | 799 | 451 | 651 | 469 | 605 |
| LQPB010808 | 100 | 799 | 799 | 651 | 651 | 669 | 605 |
| LQPB011008 | 100 | 999 | 799 | 851 | 651 | 869 | 605 |
| LQPB011208 | 100 | 1199 | 799 | 1051 | 651 | 1069 | 605 |

Plinth Kit - LQP



INCLUSIONS

- 4 diecast corner feet on 100mm high plinths
- 8 diecast corner feet on 200mm high plinths
- Levelling feet (4)
- Plinth foot corner covers
- Front and rear cladding only
 (additional side cladding can be found on page 44-45)
- All fixings



iLINO LQP Plinth Kit Assembly Manual
 « QR Download

ADVANTAGE

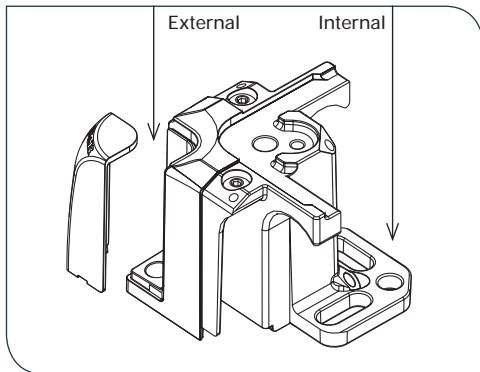
- Plinth cladding features 40mm pipe lifting access holes
- Designed to raise the enclosure off the floor to allow access to cabling
- Enclosure level/height can be adjusted internally without removing any components
- Removable cladding for pallet jack transport (available on most sizes)

MATERIALS

- Plinth feet – ZA27 diecast
- Plinth cladding – zinc coated steel
- Thickness – 1.2mm

FINISH

- Powdercoated Textured Matt Black



Plinth Corner easily accessible fixing points



DID YOU KNOW?

The plinth can be fixed to the ground through the plinth foot externally to the enclosure. This eliminates the need to remove gland plates to secure the enclosure.



HELPFUL HINT:

During installation, if pipe rollers are necessary to move in to place, then a steel base (LQPB see page 40-41) is recommended.

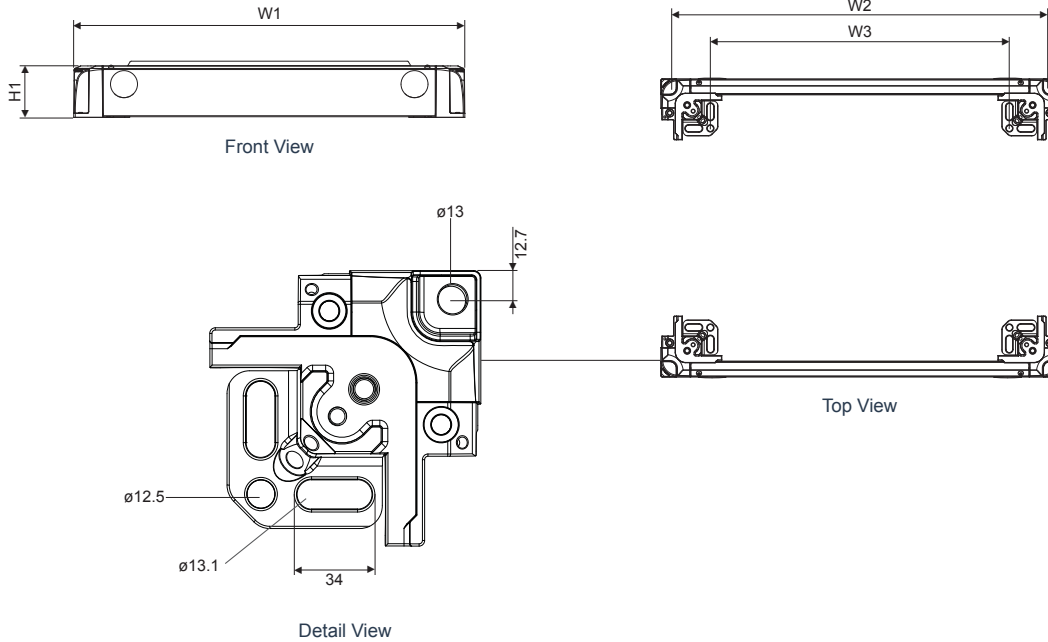


Plinth kits have removable cladding for easier cable access



51mm cut out for pipe lifting

PLINTH KIT WITH SOLID CLADDING



3.0 Assembled to Order

100MM HIGH

| Catalogue No. | External Dimensions (mm) | | Fixing Dimensions (mm) | |
|---------------|--------------------------|------------|------------------------|------------|
| | Height (H1) | Width (W1) | Width (W2) | Width (W3) |
| LQP0104 | 100 | 398 | 372 | 199 |
| LQP0105 | 100 | 498 | 472 | 299 |
| LQP0106 | 100 | 598 | 572 | 399 |
| LQP0108 | 100 | 798 | 772 | 599 |
| LQP0110 | 100 | 998 | 972 | 799 |
| LQP0112 | 100 | 1198 | 1172 | 999 |

200MM HIGH

| Catalogue No. | External Dimensions (mm) | | Fixing Dimensions (mm) | |
|---------------|--------------------------|------------|------------------------|------------|
| | Height (H1) | Width (W1) | Width (W2) | Width (W3) |
| LQP0204 | 200 | 396 | 372 | 199 |
| LQP0205 | 200 | 496 | 472 | 299 |
| LQP0206 | 200 | 596 | 572 | 399 |
| LQP0208 | 200 | 796 | 772 | 599 |
| LQP0210 | 200 | 996 | 972 | 799 |
| LQP0212 | 200 | 1196 | 1172 | 999 |

PLINTH ACCESSORIES

| Catalogue No. | Description |
|---------------|--|
| LQPF | Die-cast corner foot kit (4) |
| LQPS02 | Plinth stacking kit for 200mm high plinths |



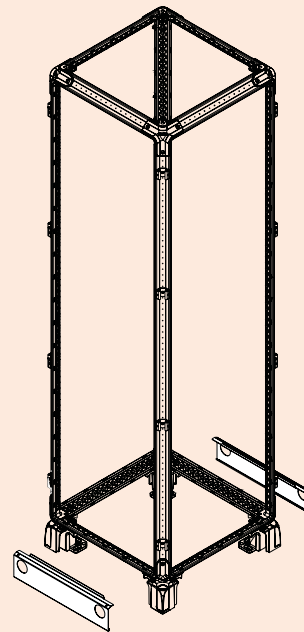
HELPFUL HINT:

The plinth kit comes with front and rear cladding only. Additional cladding panels can be found on page 44-45.

Plinth Cladding - LQPC

INCLUSIONS

- Plinth cladding (supplied singularly)
- All fixings



ADVANTAGE

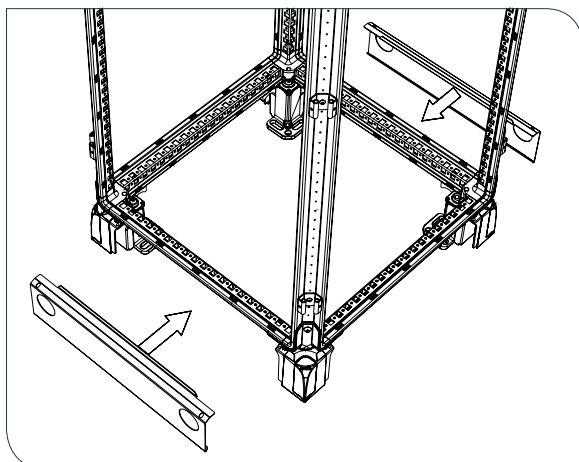
- Easy access to the bottom of the enclosure
- Access for pipe lifting
- Option of 100mm or 200mm high

MATERIALS

- Zinc coated steel
- Thickness – 1.2mm

FINISH

- Powdercoated Textured Matt Black

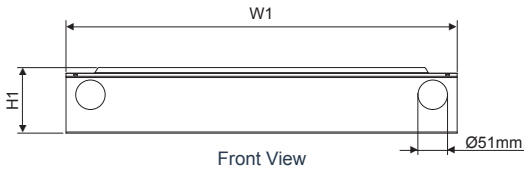


Cladding can be easily installed or removed



51mm pipe lifting cut-outs to suit 40mm pipes

SOLID PLINTH CLADDING



100MM HIGH

| Catalogue No. | External Dimensions (mm) | |
|---------------|--------------------------|------------|
| | Height (H1) | Width (W1) |
| LQPC0104 | 111 | 277 |
| LQPC0105 | 111 | 377 |
| LQPC0106 | 111 | 477 |
| LQPC0108 | 111 | 677 |
| LQPC0110 | 111 | 877 |
| LQPC0112 | 111 | 1077 |

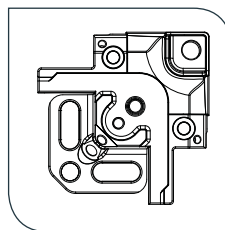
200MM HIGH

| Catalogue No. | External Dimensions (mm) | |
|---------------|--------------------------|------------|
| | Height (H1) | Width (W1) |
| LQPC0204 | 211 | 277 |
| LQPC0205 | 211 | 377 |
| LQPC0206 | 211 | 477 |
| LQPC0208 | 211 | 677 |
| LQPC0210 | 211 | 877 |
| LQPC0212 | 211 | 1077 |

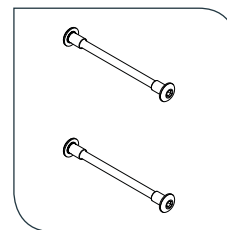
Please Note: 100mm and 200mm plinth cladding supplied singularly.

PLINTH ACCESSORIES

| Catalogue No. | Description |
|---------------|---|
| LQPF | Die-cast corner foot kit (4) |
| LQPS02 | Plinth stacking kit for 200 mm high plinths |



LQPF



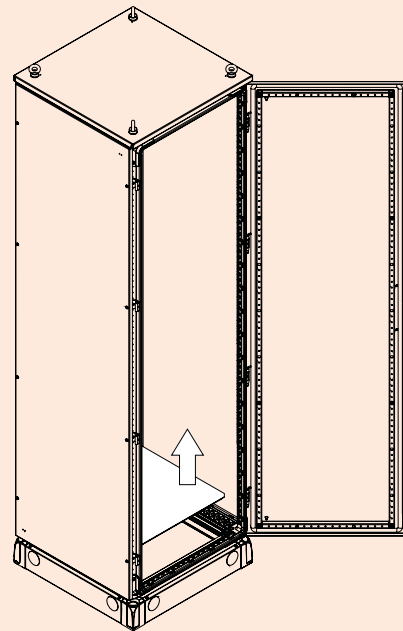
LQPS02

Gland Plate Kit – LQ GK



INCLUSIONS (GLAND PLATE KIT)

- Symmetrical extruded aluminium frame
- Symmetrical 1.6mm galvanised steel gland plates
- All fixings



iLINO LQ GK Gland Plate Kit Assembly Manual
◀ QR Download

ADVANTAGE

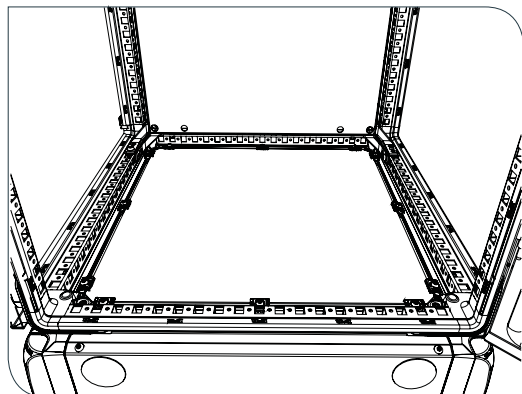
- Fitted internally or externally into top or bottom of frame
- Large glanding area
- Easy access when fitting or removing

MATERIALS

- Frame – aluminium extrusion
- Gasket – closed cell neoprene
- Plate - 1.6mm galvanised steel

FINISH

- Minimal spangle galvanised steel



Gland plate kit shown in frame



Clamp nuts



Gland Plate Kit from top



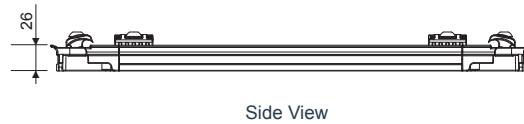
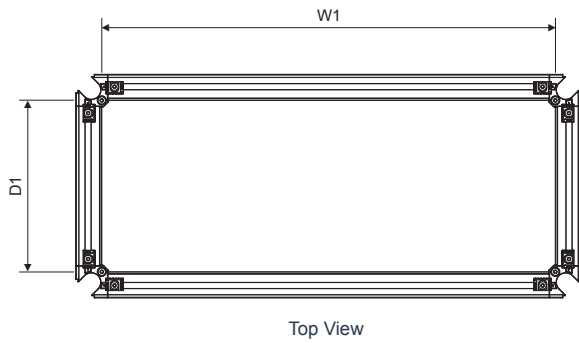
Gland Plate Corner



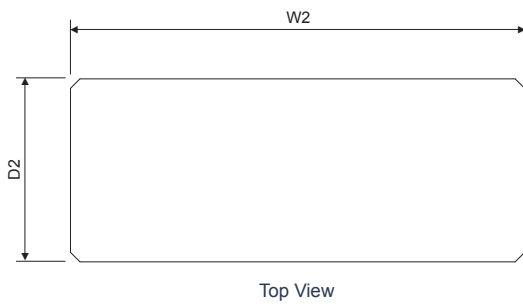
DID YOU KNOW?

iLINO gland plates can be fitted in the top or bottom of the enclosure and also maximise cable entry space due to a narrow channel frame.

GLAND FRAME



GLAND PLATE



| Catalogue No. | Opening Size (mm) | | Plate Size (mm) | |
|---------------|-------------------|------------|-----------------|------------|
| | Width (W1) | Depth (D1) | Width (W2) | Depth (D2) |
| LQ GK0404 | 243 | 243 | 270 | 270 |
| LQ GK0504 | 343 | 243 | 370 | 270 |
| LQ GK0604 | 443 | 243 | 470 | 270 |
| LQ GK0804 | 643 | 243 | 670 | 270 |
| LQ GK1004 | 843 | 243 | 870 | 270 |
| LQ GK1204 | 1043 | 243 | 1070 | 270 |
| LQ GK0505 | 343 | 343 | 370 | 370 |
| LQ GK0605 | 443 | 343 | 470 | 370 |
| LQ GK0805 | 643 | 343 | 670 | 370 |
| LQ GK1005 | 843 | 343 | 870 | 370 |
| LQ GK1205 | 1043 | 343 | 1070 | 370 |
| LQ GK0606 | 443 | 443 | 470 | 470 |
| LQ GK0806 | 643 | 443 | 670 | 470 |
| LQ GK1006 | 843 | 443 | 870 | 470 |
| LQ GK1206 | 1043 | 443 | 1070 | 470 |
| LQ GK0808 | 643 | 643 | 670 | 670 |
| LQ GK1008 | 843 | 643 | 870 | 670 |
| LQ GK1208 | 1043 | 643 | 1070 | 670 |



HELPFUL HINT:

If you require custom configuration or other gland material, gland frames and plates can be purchased separately. See page 48-49.

Gland Frame and Plates - LQGF/LQGP



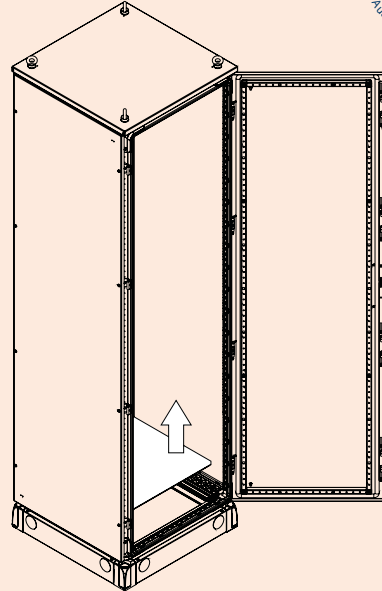
INCLUSIONS (GLAND FRAME)

- Symmetrical extruded aluminium frame

INCLUSIONS (GLAND PLATES)

- Symmetrical gland plate in selected material
- Optional choices: (brass, aluminium and galvanised steel)

Note: Clamp nuts fasteners (set of 20) must be purchased separately.



ADVANTAGE

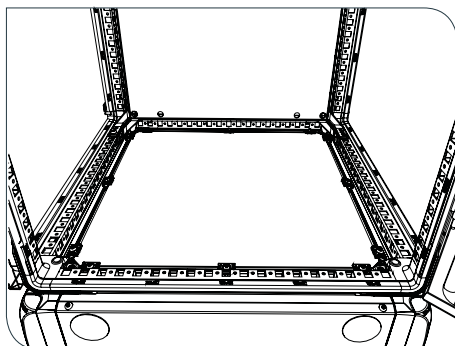
- Fitted internally or externally into top or bottom of frame
- Large glanding area
- Easy access when fitting or removing

MATERIALS

- Frame – aluminium extrusion
- Gasket – closed cell neoprene
- Plate options - 1.6mm galvanised steel, 3mm brass or 6mm aluminium

FINISH

- Anodised Silver



Gland plate shown in enclosure



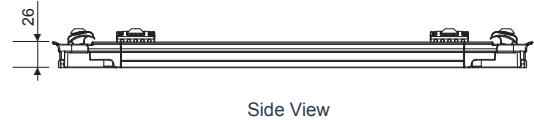
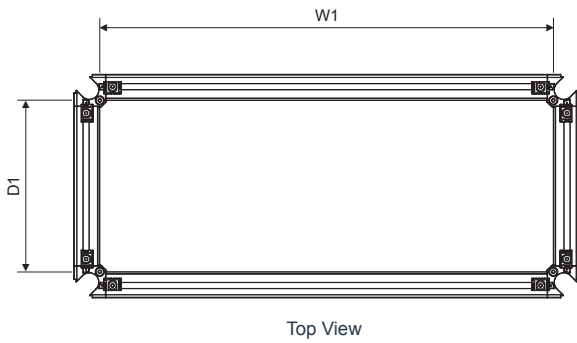
DID YOU KNOW?

iLINO gland plates can be fitted in the top or bottom of the enclosure and also maximise cable entry space due to a narrow channel frame.



Clamp nuts

GLAND FRAME

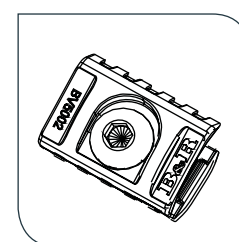


GLAND PLATE



| Depth Series | Catalogue No. | | | | Opening Size (mm) | | Plate Size (mm) | |
|--------------|---------------|----------------------------|------------------------------|--------------------------|-------------------|------------|-----------------|------------|
| | Gland Frame | Gland Plate – 1.6 mm steel | Gland Plate – 6 mm Aluminium | Gland Plate – 3 mm Brass | Width (W1) | Depth (D1) | Width (W2) | Depth (D2) |
| 400mm | LQGF0404 | LQGP0404 | LQGP0404/A6 | LQGP0404/B3 | 243 | 243 | 270 | 270 |
| | LQGF0504 | LQGP0604 | LQGP0604/A6 | LQGP0604/B3 | 343 | 243 | 370 | 270 |
| | LQGF0604 | LQGP0604 | LQGP0604/A6 | LQGP0604/B3 | 443 | 243 | 470 | 270 |
| | LQGF0804 | LQGP0804 | LQGP0804/A6 | LQGP0804/B3 | 643 | 243 | 670 | 270 |
| | LQGF1004 | LQGP1004 | LQGP1004/A6 | LQGP1004/B3 | 843 | 243 | 870 | 270 |
| | LQGF1204 | LQGP1204 | LQGP1204/A6 | LQGP1204/B3 | 1043 | 243 | 1070 | 270 |
| 500mm | LQGF0505 | LQGP0505 | LQGP0505/A6 | LQGP0505/B3 | 343 | 343 | 370 | 370 |
| | LQGF0605 | LQGP0605 | LQGP0605/A6 | LQGP0605/B3 | 443 | 343 | 470 | 370 |
| | LQGF0805 | LQGP0805 | LQGP0805/A6 | LQGP0805/B3 | 643 | 343 | 670 | 370 |
| | LQGF1005 | LQGP1005 | LQGP1005/A6 | LQGP1005/B3 | 843 | 343 | 870 | 370 |
| | LQGF1205 | LQGP1205 | LQGP1205/A6 | LQGP1205/B3 | 1043 | 343 | 1070 | 370 |
| 600mm | LQGF0606 | LQGP0606 | LQGP0606/A6 | LQGP0606/B3 | 443 | 443 | 470 | 470 |
| | LQGF0806 | LQGP0806 | LQGP0806/A6 | LQGP0806/B3 | 643 | 443 | 670 | 470 |
| | LQGF1006 | LQGP1006 | LQGP1006/A6 | LQGP1006/B3 | 843 | 443 | 870 | 470 |
| | LQGF1206 | LQGP1206 | LQGP1206/A6 | LQGP1206/B3 | 1043 | 443 | 1070 | 470 |
| 800mm | LQGF0808 | LQGP0808 | LQGP0808/A6 | LQGP0808/B3 | 643 | 643 | 670 | 670 |
| | LQGF1008 | LQGP1008 | LQGP1008/A6 | LQGP1008/B3 | 843 | 643 | 870 | 670 |
| | LQGF1208 | LQGP1208 | LQGP1208/A6 | LQGP1208/B3 | 1043 | 643 | 1070 | 670 |

| Catalogue No. | Description |
|---------------|---|
| LQGN | 20 x clamp nut for fixing gland plates to frame |



LQGN

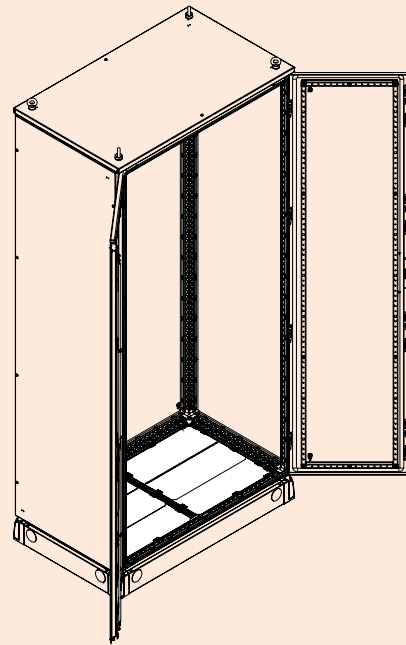
Gland Plate Adjustable – LQGK/A



INCLUSIONS

- Extruded aluminium frame
- 1.6mm steel gland plates (see page 51 for quantities)
- All fixings

Note: Adjustable gland plates are **not** IP rated.



iLINO LQGK/A Adjustable Gland Plate Kit Assembly Manual
◀ QR Download

ADVANTAGE

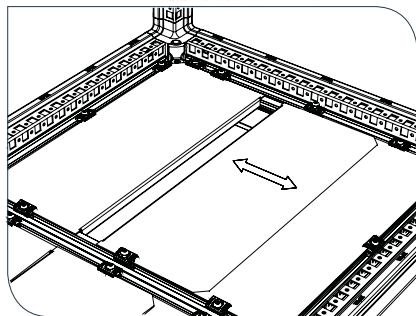
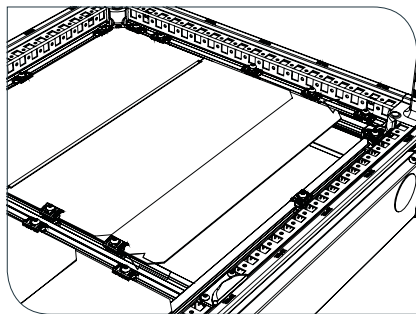
- Increased flexibility through the ability to segment the glanding area
- Simple and fast removal and replacement of target gland plates
- Ability to mount to either top or bottom of the frame

MATERIALS

- 1.6mm galvanised steel
- Frame – aluminium extrusion
- Gasket – closed cell neoprene

FINISH

- Minimum spangle galvanised steel



HELPFUL HINT:
Adjustable gland plates allow superior access for cabling by segmenting the gland space into removable/adjustable panels.

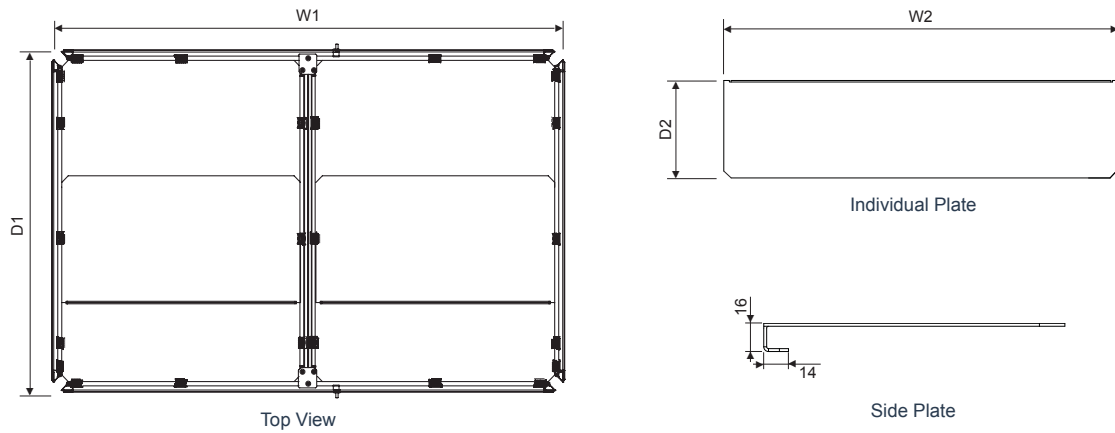


Detail



Segmented gland plates allow easy and fast access for cabling

GLAND FRAME



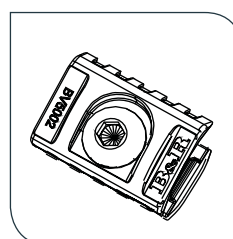
3.0 Assembled to Order

| Catalogue No. | Construction | Number of Plates | Opening Size (mm) | | Overall Plate Size | Individual Plate Size |
|---------------|----------------|------------------|-------------------|------------|--------------------|-----------------------|
| | | | Width (W1) | Depth (D1) | Width (W2) | Depth (D2) |
| LOGK0606/GA | Full width | 3 | 449 | 449 | 470 | 166 |
| LOGK0806/GA | | 3 | 649 | 449 | 670 | 166 |
| LOGK1006/GA | Centre Mullion | 6 | 849 | 449 | 420 | 166 |
| LOGK1206/GA | | 6 | 1049 | 449 | 520 | 166 |
| LOGK0608/GA | Full width | 3 | 449 | 649 | 470 | 266 x 2 + 166 x 1 |
| LOGK0808/GA | | 3 | 649 | 649 | 670 | 266 x 2 + 166 x 1 |
| LOGK1008/GA | Centre Mullion | 6 | 849 | 649 | 420 | 266 x 4 + 166 x 2 |
| LOGK1208/GA | | 6 | 1049 | 649 | 520 | 266 x 4 + 166 x 2 |

| Catalogue No. | Description |
|---------------|---|
| LQGN | 20 x clamp nut for fixing gland plates to frame |



HELPFUL HINT:
Adjustable gland plates are **not** IP rated.



LQGN

Mounting Pan - LQMP

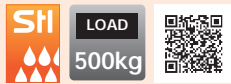
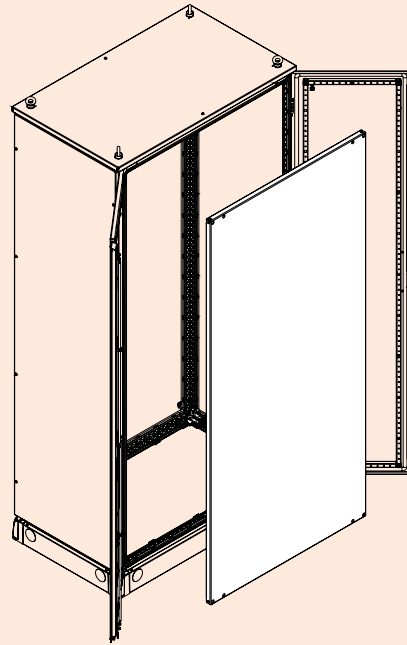


INCLUSIONS (MOUNTING PAN)

- Symmetrical 3mm minimal spangle galvanised steel mounting pan
- 4 mounting brackets
- All fixings

OPTIONAL: INFILL PANEL TO USE WHEN BAYING

- Symmetrical 3mm galvanised steel infill panel
- 2 mounting brackets
- All fixings



iLINQ LQMP Mounting Pan Assembly Manual
 « QR Download

ADVANTAGE

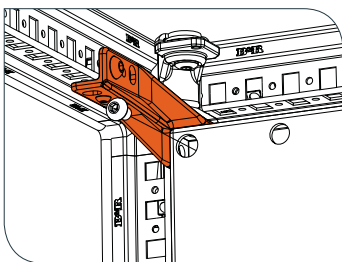
- Stiffened to support load of up to 500kg
- Depth adjustable in 25mm increments
- Multiple mounting points using the same fixings and bracket.
- Infill panel maximises usable space when cabinets are bayed.

MATERIALS

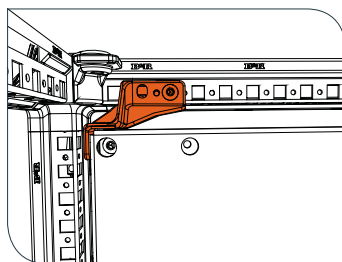
- Body – galvanised steel
- Thickness – 3mm
- Brackets – ZA27 zinc alloy

FINISH

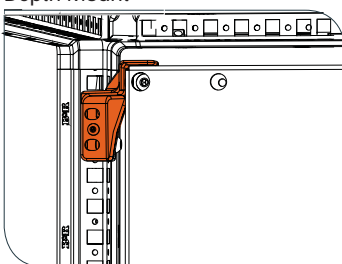
- Minimal spangle galvanised steel



Depth Mount



Width Mount



Vertical Mount



DID YOU KNOW?
 iLINQ's mounting pan bracket allows mounting to all x,y, and z axes in the rear mount position.



HELPFUL HINT:
 Depth can be adjusted in 25mm increments to create maximum usable space.

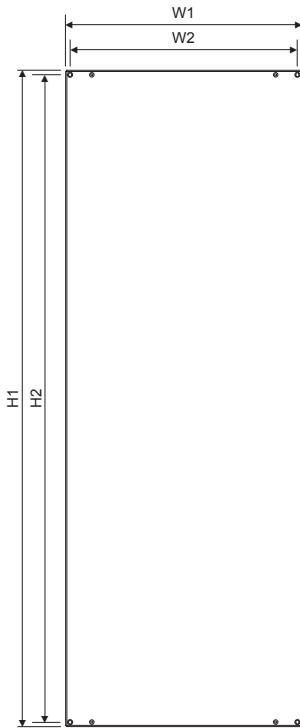


Infill Panels - LQMF



Mounting pan in rear-most position

MOUNTING PAN

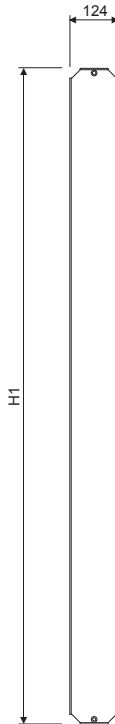


Front View



Side View

INFILL PANEL

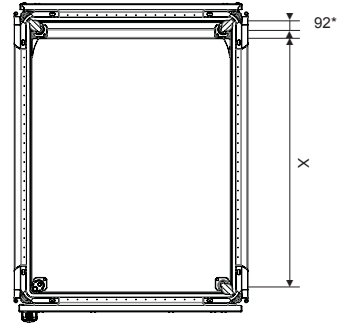


Front View



Side View

Usable depth with installed mounting pan
When mounted in rear most position



* Usable depth, X = (X - 92)

1400MM HIGH

| Catalogue No. | Dimensions (mm) | | Fixings (mm) | |
|---------------|-----------------|------------|--------------|------------|
| | Height (H1) | Width (W1) | Height (H2) | Width (W2) |
| LQMP1404 | 1275 | 275 | 1249 | 249 |
| LQMP1405 | 1275 | 375 | 1249 | 349 |
| LQMP1406 | 1275 | 475 | 1249 | 449 |
| LQMP1408 | 1275 | 675 | 1249 | 649 |
| LQMP1410 | 1275 | 875 | 1249 | 849 |
| LQMP1412 | 1275 | 1075 | 1249 | 1049 |

1600MM HIGH

| Catalogue No. | Dimensions (mm) | | Fixings (mm) | |
|---------------|-----------------|------------|--------------|------------|
| | Height (H1) | Width (W1) | Height (H2) | Width (W2) |
| LQMP1604 | 1475 | 275 | 1449 | 249 |
| LQMP1605 | 1475 | 375 | 1449 | 349 |
| LQMP1606 | 1475 | 475 | 1249 | 449 |
| LQMP1608 | 1475 | 675 | 1249 | 649 |
| LQMP1610 | 1475 | 875 | 1249 | 849 |
| LQMP1612 | 1475 | 1075 | 1249 | 1049 |

1800MM HIGH

| Catalogue No. | Dimensions (mm) | | Fixings (mm) | |
|---------------|-----------------|------------|--------------|------------|
| | Height (H1) | Width (W1) | Height (H2) | Width (W2) |
| LQMP1804 | 1675 | 275 | 1649 | 249 |
| LQMP1805 | 1675 | 375 | 1649 | 349 |
| LQMP1806 | 1675 | 475 | 1649 | 449 |
| LQMP1808 | 1675 | 675 | 1649 | 649 |
| LQMP1810 | 1675 | 875 | 1649 | 849 |
| LQMP1812 | 1675 | 1075 | 1649 | 1049 |

2000MM HIGH

| Catalogue No. | Dimensions (mm) | | Fixings (mm) | |
|---------------|-----------------|------------|--------------|------------|
| | Height (H1) | Width (W1) | Height (H2) | Width (W2) |
| LQMP2004 | 1875 | 275 | 1849 | 249 |
| LQMP2005 | 1875 | 375 | 1849 | 349 |
| LQMP2006 | 1875 | 475 | 1849 | 449 |
| LQMP2008 | 1875 | 675 | 1849 | 649 |
| LQMP2010 | 1875 | 875 | 1849 | 849 |
| LQMP2012 | 1875 | 1075 | 1849 | 1049 |

2200MM HIGH

| Catalogue No. | Dimensions (mm) | | Fixings (mm) | |
|---------------|-----------------|------------|--------------|------------|
| | Height (H1) | Width (W1) | Height (H2) | Width (W2) |
| LQMP2204 | 2075 | 275 | 2049 | 249 |
| LQMP2205 | 2075 | 375 | 2049 | 349 |
| LQMP2206 | 2075 | 475 | 2049 | 449 |
| LQMP2208 | 2075 | 675 | 2049 | 649 |
| LQMP2210 | 2075 | 875 | 2049 | 849 |
| LQMP2212 | 2075 | 1075 | 2049 | 1049 |

INFILL PANELS

| Catalogue No. | Height (H1) |
|---------------|-------------|
| LQMF1401 | 1275 |
| LQMF1601 | 1475 |
| LQMF1801 | 1675 |
| LQMF2001 | 1875 |
| LQMF2201 | 2075 |

Swing Frame - LOSF

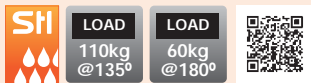
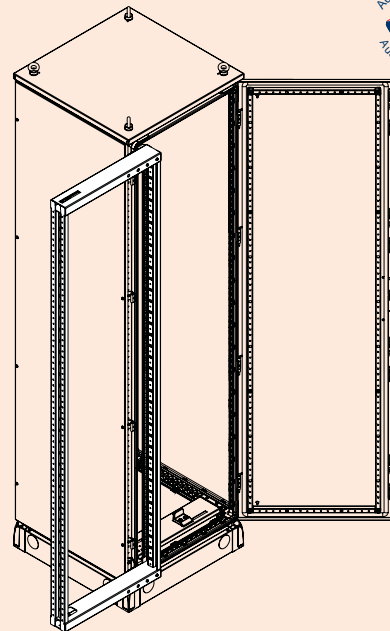


INCLUSIONS (19" SWING FRAME)

- Swing frame
- 2 x slotted turnbuckle locks
- RU indicator tape
- All fixings

Note:

1. Horizontal swing frame rails purchased separately
2. Equipment depth is subject to cabinet depth and mounting pan position



iLINO LOSF Swing Frame Assembly Manual
 ← QR Download

ADVANTAGE

- Suitable for mounting 19" equipment
- 135° pivot - suitable for loads of up to 110kg
- 180° pivot- suitable for loads of up to 60kg
- Allows access to both the front and rear without having to remove or open cladding on the side or back of the enclosure

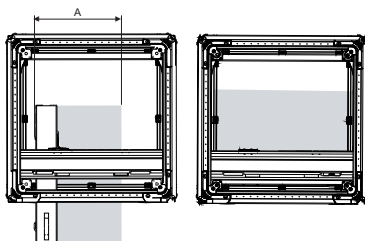
MATERIALS

- Galvanised Steel Frame – 76 x 38mm RHS
- Thickness – 2.5mm

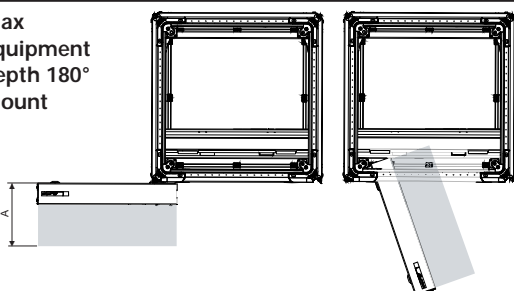
FINISH

- Passivated silver

Max equipment depth 135° Mount



Max equipment depth 180° Mount



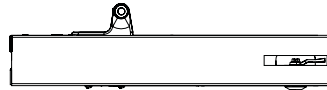
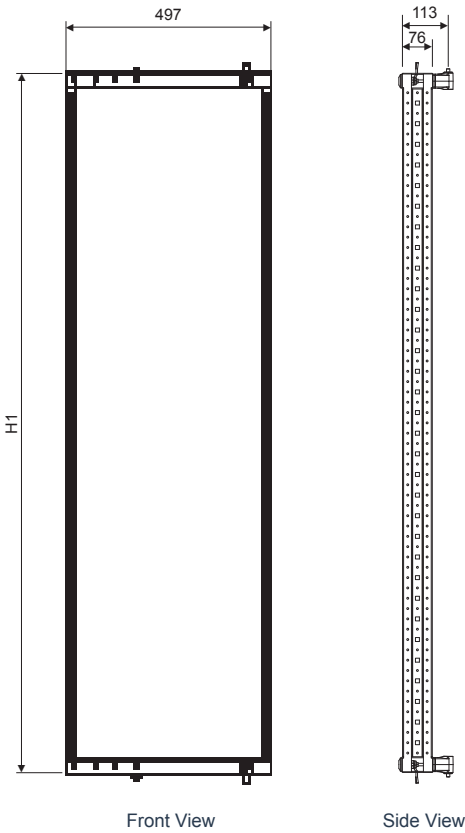
HELPFUL HINT:

- Rail mount 135° position has increased load rating.
- Equipment depth is subject to cabinet depth and mounting pan position.

| Swing Frame Width | Mounting Position | Maximum equipment depth (a)(mm) | Load weight (kg) |
|-------------------|----------------------|---------------------------------|------------------|
| 600mm wide | 135° Horizontal Rail | 300 | 110 |
| | 180° Frame | 140 | 60 |
| 800mm wide | 135° Horizontal Rail | 420 | 110 |
| | Horizontal Rail | 550 | 110 |
| | 180° Frame | 320 | 60 |
| | Frame | 460 | 60 |

* Note: 180° on 600mm wide - only available in frame mount position.

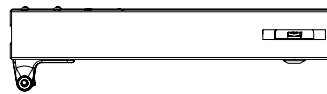
19" SWING FRAME



135° Swing frame - Rear mount

LOAD
110kg
@ 135°

Top View - Pivot 135° position

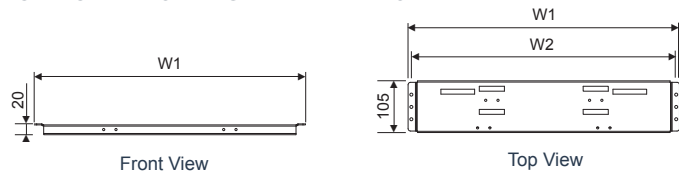


180° Swing frame - Front mount

LOAD
60kg
@ 180°

Top View - Pivot 180° position

HORIZONTAL SWING FRAME RAILS

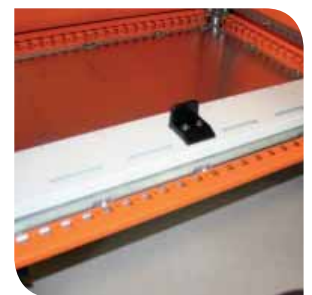


19" SWING FRAME

| Catalogue No. | Dimensions (mm) | | To suit frame | RU |
|---------------|-----------------|------------------|---------------|----|
| | Height (H1) | Height (mm) | | |
| LQSF22RU | 1094 | Fit All | | 22 |
| LQSF27RU | 1294 | 1400 Full Height | | 27 |
| LQSF33RU | 1494 | 1600 Full Height | | 33 |
| LQSF36RU | 1694 | 1800 Full Height | | 36 |
| LQSF40RU | 1894 | 2000 Full Height | | 40 |
| LQSF45RU | 2094 | 2200 Full Height | | 45 |



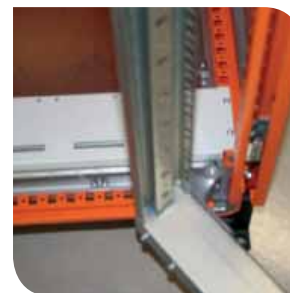
Tool removable lock



Alignment bracket

HORIZONTAL SWING FRAME RAILS

| Catalogue No. | Dimensions (mm) | | To Fit Frame Width (mm) |
|---------------|-----------------|-------------------|-------------------------|
| | Width (W1) | Fixing Width (W2) | |
| LQRF06 | 551 | 538 | 600 |
| LQRF08 | 751 | 738 | 800 |



180° and 135° swing



Front and rear mount swing frames



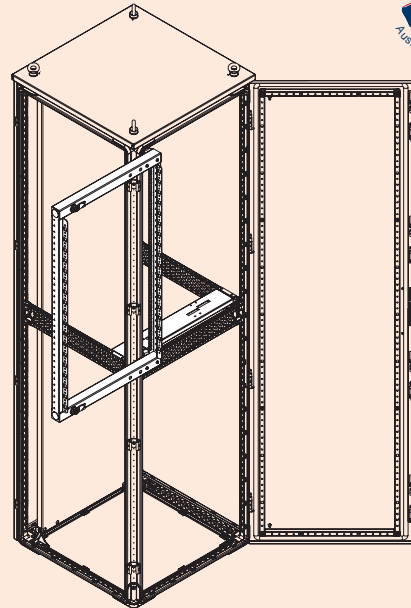
Swing Frame Small - LOSF/SML

INCLUSIONS (19" SWING FRAME)

- Swing frame
- 2 x slotted turnbuckle locks
- RU indicator tape
- All fixings

Note:

1. Horizontal swing frame rails purchased separately.
2. When used in part height configuration, matrix rail is required to mount horizontal swing frame rails. For matrix rail, see page 62-63.
3. Matrix rail required to create sub-structure for mounting.
4. Equipment depth is subject to cabinet depth and mounting pan position.



ADVANTAGE

- Suitable for mounting 19" equipment
- Allows access to both the front and rear without having to remove or open cladding on the side or back of the enclosure

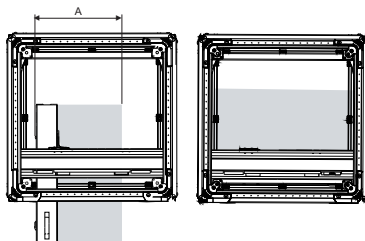
MATERIALS

- Galvanised Steel Frame – 76 x 38mm RHS
- Thickness – 2.5mm

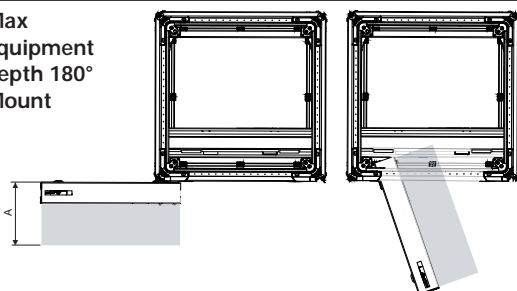
FINISH

- Passivated silver

Max equipment depth 135° Mount



Max equipment depth 180° Mount

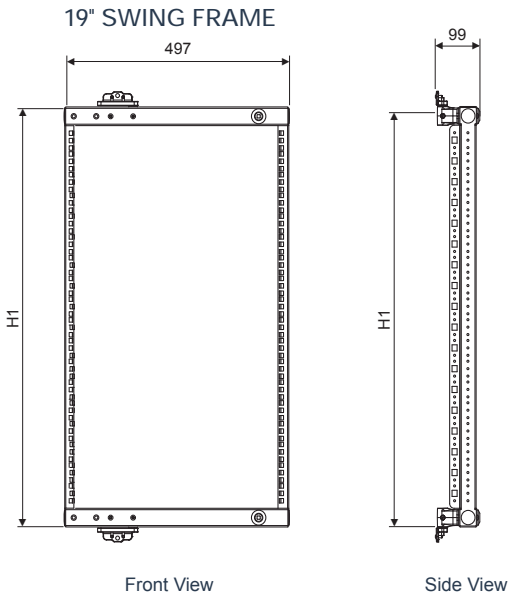


HELPFUL HINT:

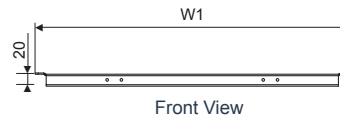
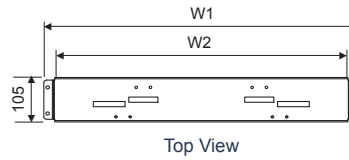
- 180° - only available in front mount position.
- Centre mount 135° position has increased load rating.
- Matrix rail for the width **and** depth is required to create a sub-structure for mounting.
- Equipment depth is subject to cabinet depth and mounting pan position.

| Swing Frame Width | Mounting Position | | Maximum equipment depth (a)(mm) |
|-------------------|-------------------|-----------------|---------------------------------|
| 600mm wide | 135° | Horizontal Rail | 300 |
| | 180° | Frame | 140 |
| 800mm wide | 135° | Horizontal Rail | 420 |
| | | Horizontal Rail | 550 |
| | 180° | Frame | 320 |
| | | Frame | 460 |

* Note: 180° on 600mm wide - only available in front side mount position.



HORIZONTAL SWING FRAME RAILS



19" SWING FRAME

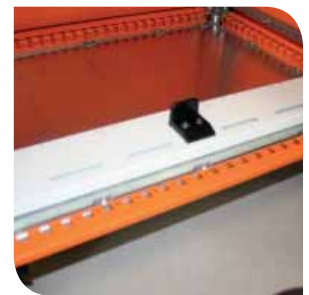
| Catalogue No. | Dimensions (mm) | | To suit frame |
|---------------|-----------------|-------------|---------------|
| | Height (H1) | Height (mm) | |
| LOSF03RU/SML | 224.5 | Fits all | 3 |
| LOSF06RU/SML | 349.5 | Fits all | 6 |
| LOSF09RU/SML | 499.5 | Fits all | 9 |
| LOSF12RU/SML | 624.5 | Fits all | 12 |
| LOSF15RU/SML | 749.5 | Fits all | 15 |
| LOSF18RU/SML | 899.5 | Fits all | 18 |

HORIZONTAL SWING FRAME RAILS

| Catalogue No. | Dimensions (mm) | | |
|---------------|-----------------|-------------------|-------------------------|
| | Width (W1) | Fixing Width (W2) | To Fit Frame Width (mm) |
| LQRF06/SML | 551 | 538 | 600 |
| LQRF08/SML | 751 | 738 | 800 |



Tool removable lock



Alignment bracket



180° and 135° swing



Front and rear mount swing frames

Swing Frame Trims - LOSS/SC



INCLUSIONS (CENTRE MOUNT)

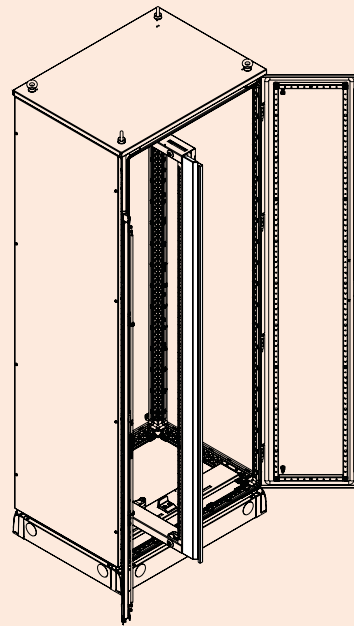
- Symmetrical swing frame trims (LQSC)
- Integrated handle
- All fixings

INCLUSIONS (SIDE MOUNT)

- Symmetrical swing frame trim (LOSS)
- Integrated handle
- All fixings

Note:

1. Swing frame trims are only suitable for applications where the enclosures are 800mm wide or greater.
2. Centre swing frames can only be used in swing frame installations where the pivot is at the 135° position in enclosures 800mm wide and above.



iLINO LOSS/SC Swing Frame Trim Assembly Manual
 ← QR Download

ADVANTAGE

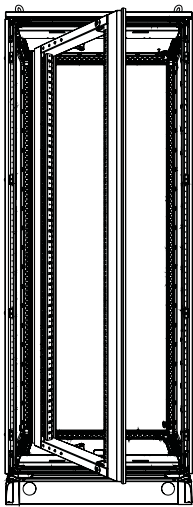
- Symmetrical panels
- Side mount or centre mount
- Securely fixed to the swing frame and help direct airflow through the 19" rack mounted equipment

MATERIALS

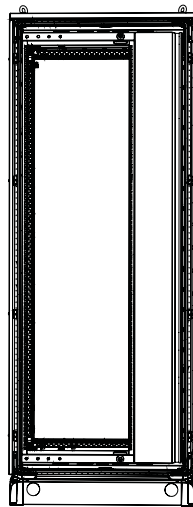
- Zinc coated steel
- Thickness – 1.6mm

FINISH

- Powdercoated Mist Blue (white)



Swing frame trims - centre mount



Swing frame trims - side mount



Centre Mount Swing frame trims



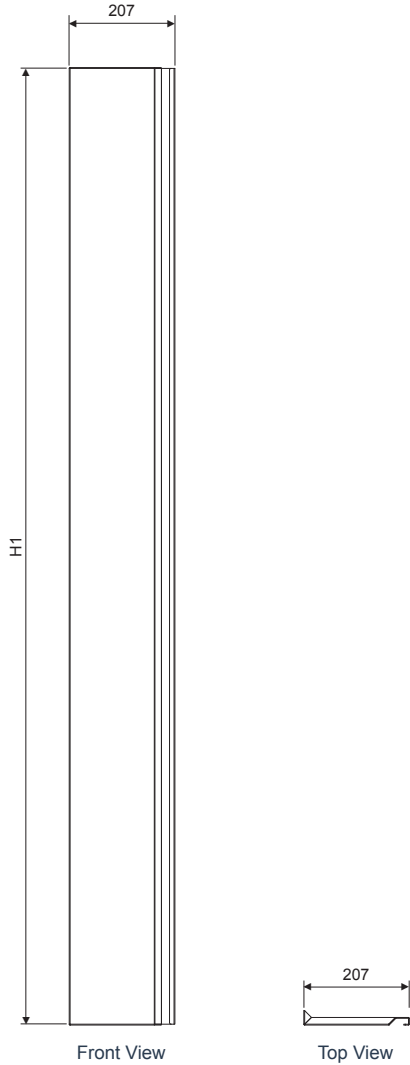
Powdercoated Mist Blue



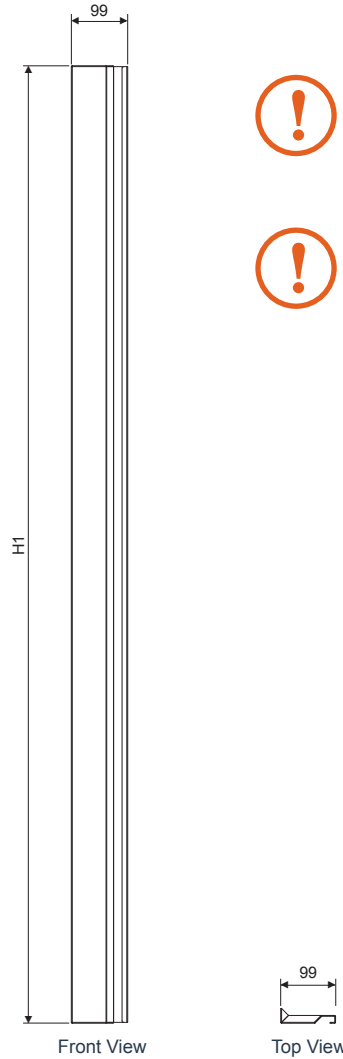
HELPFUL HINT:

Swing frame trims offer a highly presentable, well-finished installation to any 19" swing frame design.

SWING FRAME TRIMS – SIDE



SWING FRAME TRIMS – CENTRE



HELPFUL HINT:

Swing frame trims are only suitable for applications where the enclosures are 800mm wide or greater.



HELPFUL HINT:

When installing swing frames in enclosures greater than 800mm wide, matrix rail is required to provide a sub-structure for rail mounting.

SWING FRAME TRIM - SIDE

| Catalogue No. | Dimensions | |
|---------------|-------------|-----------------------|
| | Height (H1) | To Fit Swing Frame RU |
| LQSS3U08 | 152 | LQSF03RU/SML |
| LQSS6U08 | 204 | LQSF06RU/SML |
| LQSS9U08 | 494 | LQSF09RU/SML |
| LQSS12U08 | 694 | LQSF12RU/SML |
| LQSS15U08 | 894 | LQSF15RU/SML |
| LQSS18U08 | 1018 | LQSF18RU/SML |
| LQSS22U08 | 1218 | LQSF22RU |
| LQSS27U08 | 1418 | LQSF27RU |
| LQSS33U08 | 1518 | LQSF33RU |
| LQSS36U08 | 1618 | LQSF36RU |
| LQSS40U08 | 1818 | LQSF40RU |
| LQSS45U08 | 2018 | LQSF45RU |

SWING FRAME TRIMS - CENTRE (2)

| Catalogue No. | Dimensions | |
|---------------|-------------|-----------------------|
| | Height (H1) | To Fit Swing Frame RU |
| LQSC3U08 | 152 | LQSF03RU/SML |
| LQSC6U08 | 204 | LQSF06RU/SML |
| LQSC9U08 | 494 | LQSF09RU/SML |
| LQSC12U08 | 694 | LQSF12RU/SML |
| LQSC15U08 | 894 | LQSF15RU/SML |
| LQSC18U08 | 1018 | LQSF18RU/SML |
| LQSC22U08 | 1218 | LQSF22RU |
| LQSC27U08 | 1418 | LQSF27RU |
| LQSC33U08 | 1518 | LQSF33RU |
| LQSC36U08 | 1618 | LQSF36RU |
| LQSC40U08 | 1818 | LQSF40RU |
| LQSC45U08 | 2018 | LQSF45RU |

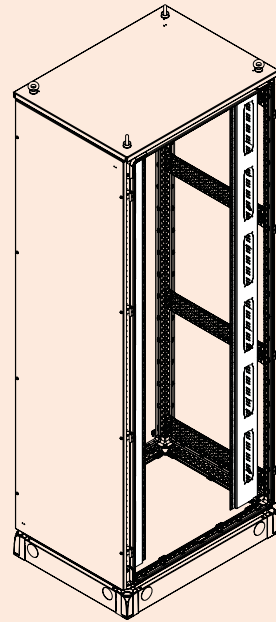
19" Rack Rails - LQRR



INCLUSIONS (19" RACK RAILS)

- Left and right rail
- RU indicator tape
- All fixings

Note: Matrix rails purchased separately - see page 62-63.



iLINO LQRR Rack Rails Assembly Manual
◀ QR Download

ADVANTAGE

- Rails are EIA-310-D compliant
- Easy identifiable RU positioning
- Supplied as a pair

MATERIALS

- Zinc coated steel
- Thickness – 2.0mm

FINISH

- Powdercoated Mist Blue (white)



HELPFUL HINT:

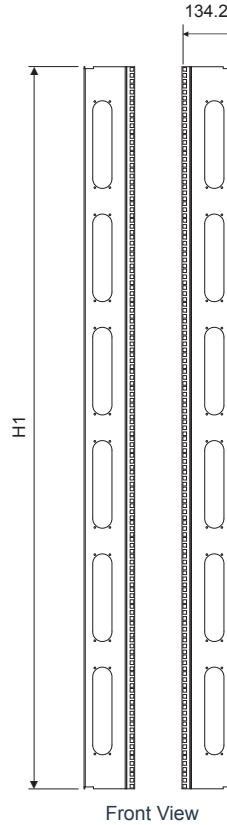
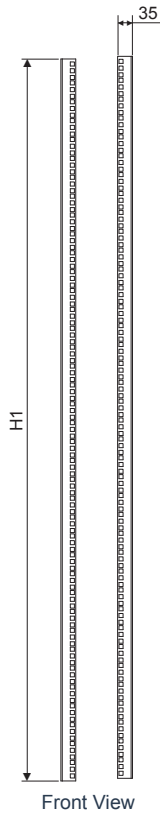
Matrix rails need to be purchased separately to mount. Find a selection guide on page 62-63.



19" Rack Rails with matrix rail

19" RACK RAILS – 600MM WIDE

19" RACK RAILS – 800MM WIDE



3.0 Assembled to Order



HELPFUL HINT:
3 x matrix rails per side are recommended installations 18RU and above. See page 62-63.

600MM WIDE

| Catalogue No. | Dimensions (mm) | | To Fit Frame Height (mm) | To Suit Enclosure Width (mm) | RU | #Min. No of matrix rails |
|---------------|-----------------|-------|--------------------------|------------------------------|----|--------------------------|
| | Height (H1) | Width | | | | |
| LQRR3U | 144.5 | 35 | Fits All | 600 | 3 | 4 |
| LQRR6U | 269.5 | 35 | Fits All | 600 | 6 | 4 |
| LQRR9U | 419.5 | 35 | Fits All | 600 | 9 | 4 |
| LQRR12U | 544.5 | 35 | Fits All | 600 | 12 | 4 |
| LQRR15U | 669.5 | 35 | Fits All | 600 | 15 | 4 |
| LQRR18U | 819.5 | 35 | Fits All | 600 | 18 | 6 |
| LQRR21U | 944.5 | 35 | Fits All | 600 | 21 | 6 |
| LQRR24U | 1069.5 | 35 | Fits All | 600 | 24 | 6 |
| LQRR27U | 1219.5 | 35 | Fits All | 600 | 27 | 6 |
| LQRR29U | 1300.0 | 35 | 1400 & above | 600 | 29 | 6 |
| LQRR34U | 1500.0 | 35 | 1600 & above | 600 | 34 | 6 |
| LQRR38U | 1700.0 | 35 | 1800 & above | 600 | 38 | 6 |
| LQRR42U | 1900.0 | 35 | 2000 & above | 600 | 42 | 6 |
| LQRR47U | 2100.0 | 35 | 2200 | 600 | 47 | 6 |

* For matrix rails refer to pages 62-63.

800MM WIDE

| Catalogue No. | Dimensions (mm) | | To Fit Frame Height (mm) | To Suit Enclosure Width (mm) | RU | #Min. No of matrix rails |
|---------------|-----------------|-------|--------------------------|------------------------------|----|--------------------------|
| | Height (H1) | Width | | | | |
| LQRR3U/800 | 149.5 | 134.2 | Fits All | 800 | 3 | 4 |
| LQRR6U/800 | 274.5 | 134.2 | Fits All | 800 | 6 | 4 |
| LQRR9U/800 | 424.5 | 134.2 | Fits All | 800 | 9 | 4 |
| LQRR12U/800 | 549.5 | 134.2 | Fits All | 800 | 12 | 4 |
| LQRR15U/800 | 674.5 | 134.2 | Fits All | 800 | 15 | 4 |
| LQRR18U/800 | 824.5 | 134.2 | Fits All | 800 | 18 | 6 |
| LQRR21U/800 | 949.5 | 134.2 | Fits All | 800 | 21 | 6 |
| LQRR24U/800 | 1074.5 | 134.2 | Fits All | 800 | 24 | 6 |
| LQRR27U/800 | 1224.5 | 134.2 | Fits All | 800 | 27 | 6 |
| LQRR29U/800 | 1312.4 | 134.2 | 1400 & above | 800 | 29 | 6 |
| LQRR34U/800 | 1512.4 | 134.2 | 1600 & above | 800 | 34 | 6 |
| LQRR38U/800 | 1712.4 | 134.2 | 1800 & above | 800 | 38 | 6 |
| LQRR42U/800 | 1912.4 | 134.2 | 2000 & above | 800 | 42 | 6 |
| LQRR47U/800 | 2112.4 | 134.2 | 2200 | 800 | 47 | 6 |

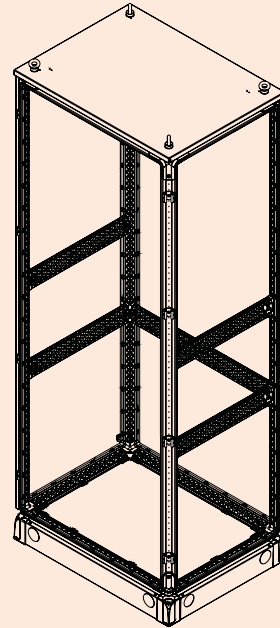
* For matrix rails refer to pages 62-63.

Matrix Rail - LORM



INCLUSIONS (MATRIX RAIL)

- Symmetrical matrix rail
- Die cast ends (2)
- All fixings



HOLD
60kg
Vertical

HOLD
50kg
Horizontal



iLINO LORM Matrix Rail Assembly Manual
 « QR Download

ADVANTAGE

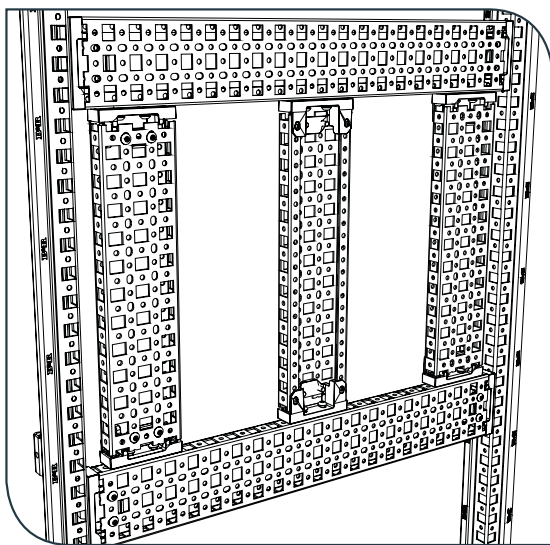
- Matrix Rail – suitable for heavier or complex configurations, mountable in any direction
- Ability to mount on any axis and plane
- Designed to maximise usable mounting space

MATERIALS

- Galvanised Steel
- Dimensions: 75 x 19 x 1.6mm
- Die-cast ends

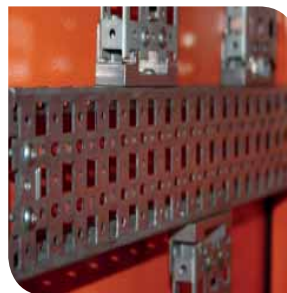
FINISH

- Minimum spangle galvanised



DID YOU KNOW?

Matrix rail can be configured in a multitude of ways to maximise mounting flexibility.

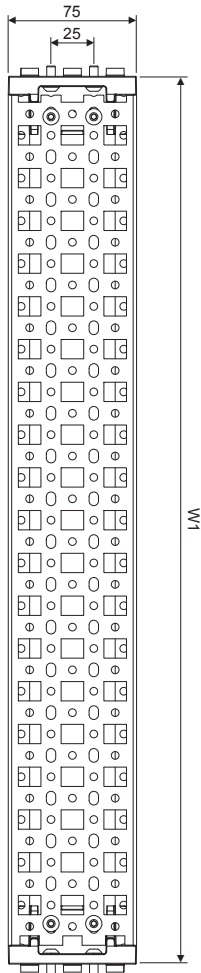


Matrix rails can be configured on all axes

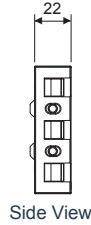


Flush intersecting rails

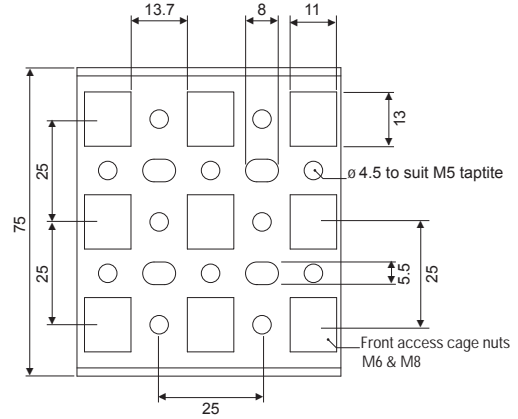
MATRIX RAIL



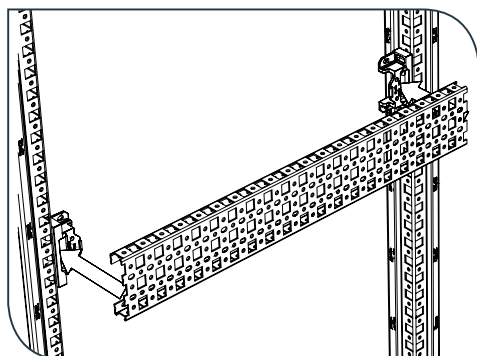
Front View



Side View



Matrix Rail Detail



MATRIX RAIL

| Catalogue No. | Nominal Width (W1) | To suit frame dimension |
|---------------|--------------------|-------------------------|
| LQRM01 | 119 | - |
| LQRM02 | 219 | - |
| LQRM03 | 319 | 400 |
| LQRM04 | 419 | 500 |
| LQRM05 | 519 | 600 |
| LQRM06 | 619 | - |
| LQRM07 | 719 | 800 |
| LQRM08 | 819 | - |
| LQRM09 | 919 | 1000 |
| LQRM10 | 1019 | - |
| LQRM11 | 1119 | 1200 |
| LQRM12 | 1219 | - |
| LQRM13 | 1319 | 1400 |
| LQRM14 | 1419 | - |
| LQRM15 | 1519 | 1600 |
| LQRM16 | 1619 | - |
| LQRM17 | 1719 | 1800 |
| LQRM18 | 1819 | - |
| LQRM19 | 1919 | 2000 |
| LQRM20 | 2019 | - |
| LQRM21 | 2119 | 2200 |

3.0 Assembled to Order

Internal Rail System - LQRP/LQRD



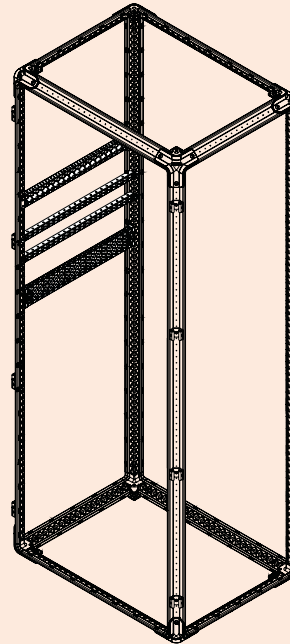
INCLUSIONS (PROFILE RAIL)

- Symmetrical IEC grid profile rail
- All fixings

INCLUSIONS (DOOR RAIL)

- Symmetrical IEC grid door rail
- All fixings

Note: Front access cage nuts for all rails purchased separately (refer to page 77)





LOAD
60kg
Vertical

LOAD
35kg
Horizontal



iLINO LQRP/RD Internal Rail System Assembly Manual
 « QR Download

ADVANTAGE

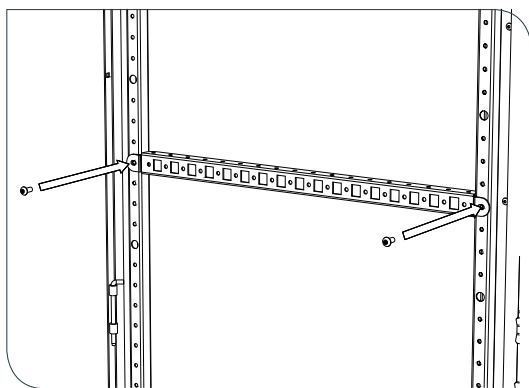
- Profile Rail – suitable for mounting lighter components to frame profile
- Door Rail – helpful to mount anything on the interior of cabinet doors including laptop lectern and plan holders

MATERIALS

- Galvanised Steel
- Dimensions: 75 x 19 x 1.6mm

FINISH

- Powdercoated Mist Blue (white)



Door rail is easily installed with screw points onto the door frame.



Easily installed

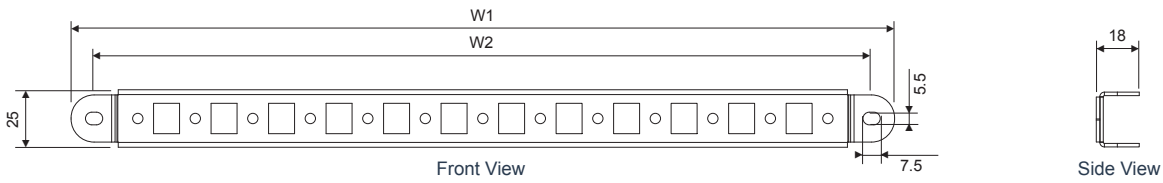


Door rail is required to mount equipment on doors



Door rail

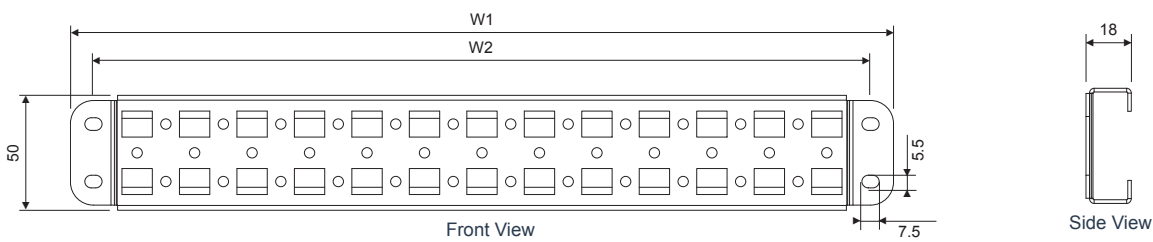
25MM PROFILE RAIL



25MM PROFILE RAIL

| Catalogue No. | Dimensions (mm) | | To suit frame (mm) |
|---------------|-----------------|--------------|--------------------|
| | Width (W1) | Fixings (W2) | |
| LQRP04/25 | 358 | 338 | 400 |
| LQRP05/25 | 458 | 438 | 500 |
| LQRP06/25 | 558 | 538 | 600 |
| LQRP08/25 | 758 | 738 | 800 |

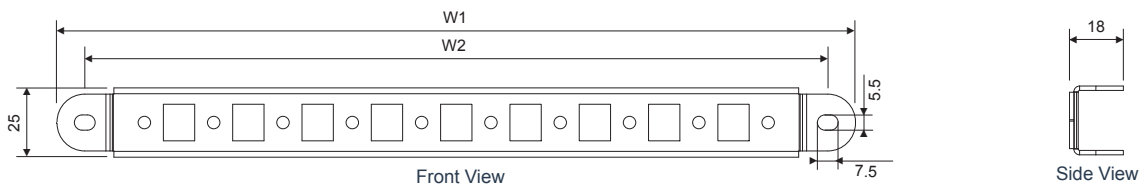
50MM PROFILE RAIL



50MM PROFILE RAIL

| Catalogue No. | Dimensions (mm) | | To suit frame (mm) |
|---------------|-----------------|--------------|--------------------|
| | Width (W1) | Fixings (W2) | |
| LQRP04/50 | 358 | 338 | 400 |
| LQRP05/50 | 458 | 438 | 500 |
| LQRP06/50 | 558 | 538 | 600 |
| LQRP08/50 | 758 | 738 | 800 |

DOOR RAIL



DOOR RAIL

| Catalogue No. | Dimensions (mm) | | To suit door width (mm) |
|---------------|-----------------|--------------|-------------------------|
| | Width (W1) | Fixings (W2) | |
| LQRD04 | 288 | 268 | 400 |
| LQRD05 | 388 | 368 | 500 |
| LQRD06 | 488 | 468 | 600 |
| LQRD08 | 688 | 668 | 800 |

3.0 Assembled to Order

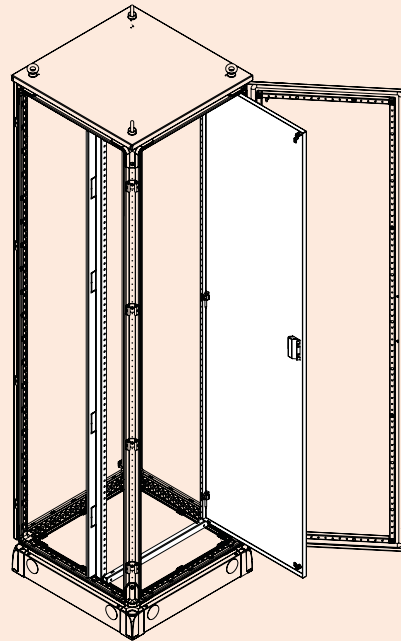
Hinged Escutcheon- LQHE

INCLUSIONS

- Symmetrical Escutcheon
- 2 x ¼ turn slotted locks
- All fixings

Note:

1. Vertical escutcheon rails required to mount escutcheon.
2. Horizontal rails required to maintain IP2X



iLINO LQHE Hinged Escutcheon Assembly Manual
 « QR Download

ADVANTAGE

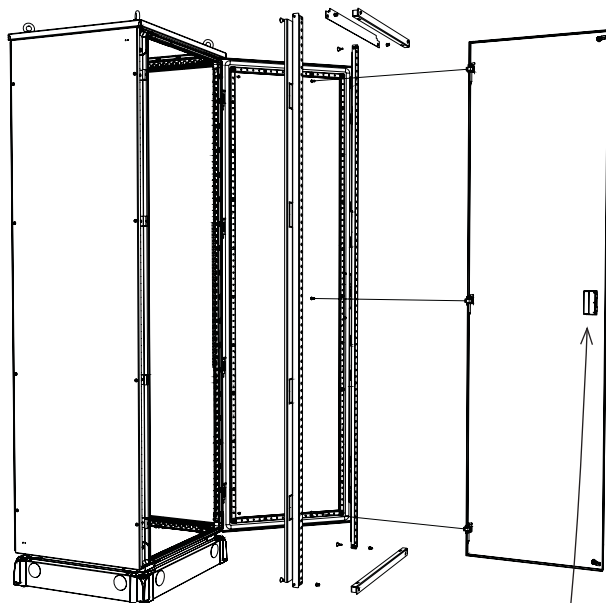
- Slotted cam locks (2)
- Recessed handle

MATERIALS

- Zinc coated steel
- Thickness – 1.6mm

FINISH

- Powdercoated Mist Blue (white)



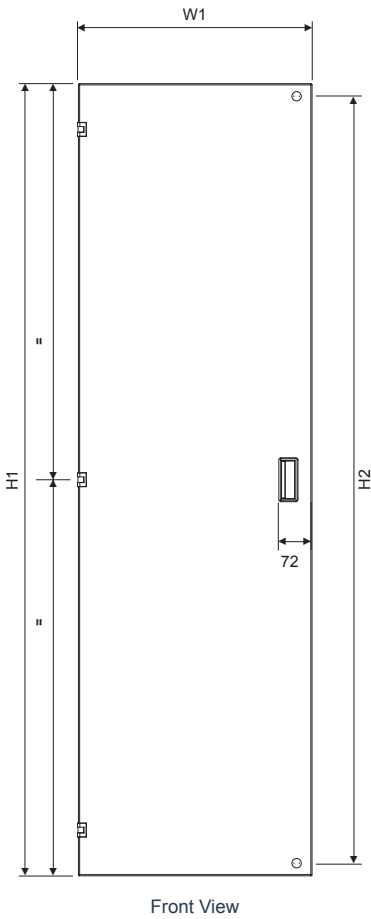
DID YOU KNOW?

The hinged escutcheon is fitted with a flush handle so there is no interference with equipment.

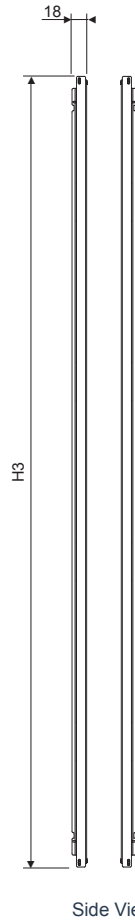


Hinged escutcheon

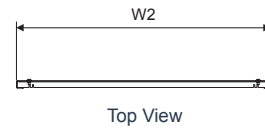
ESCUTCHEON



VERTICAL RAIL (2)



HORIZONTAL RAIL (2)



HINGED ESCUTCHEON

| Catalogue No. | External Dimensions (mm) | | Locking Height (H2) | To suit enclosure (mm) | |
|---------------|--------------------------|------------|---------------------|------------------------|-------|
| | Height (H1) | Width (W1) | | Height | Width |
| LQHE1305 | 1296 | 400 | 1242 | 1400 | 500 |
| LQHE1306 | 1296 | 500 | 1242 | 1400 | 600 |
| LQHE1308 | 1296 | 700 | 1242 | 1400 | 800 |
| LQHE1505 | 1496 | 400 | 1442 | 1600 | 500 |
| LQHE1506 | 1496 | 500 | 1442 | 1600 | 600 |
| LQHE1508 | 1496 | 700 | 1442 | 1600 | 800 |
| LQHE1705 | 1696 | 400 | 1642 | 1800 | 500 |
| LQHE1706 | 1696 | 500 | 1642 | 1800 | 600 |
| LQHE1708 | 1696 | 700 | 1642 | 1800 | 800 |
| LQHE1905 | 1896 | 400 | 1842 | 2000 | 500 |
| LQHE1906 | 1896 | 500 | 1842 | 2000 | 600 |
| LQHE1908 | 1896 | 700 | 1842 | 2000 | 800 |
| LQHE2105 | 2096 | 400 | 2042 | 2200 | 500 |
| LQHE2106 | 2096 | 500 | 2042 | 2200 | 600 |
| LQHE2108 | 2096 | 700 | 2042 | 2200 | 800 |

VERTICAL RAIL (2)

| Catalogue No. | Height (H3) | To suit enclosure height (mm) |
|---------------|-------------|-------------------------------|
| LQRV13 | 1358 | 1400 |
| LQRV15 | 1558 | 1600 |
| LQRV17 | 1758 | 1800 |
| LQRV19 | 1958 | 2000 |
| LQRV21 | 2158 | 2200 |

HORIZONTAL RAIL (2)

| Catalogue No. | Width (W2) | To suit enclosure width (mm) |
|---------------|------------|------------------------------|
| LQRH05 | 405 | 500 |
| LQRH06 | 505 | 600 |
| LQRH08 | 705 | 800 |

Please Note: Horizontal rails required to achieve IP2X.



HELPFUL HINT:
Vertical Rails and Horizontal Rails are supplied in sets of 2.

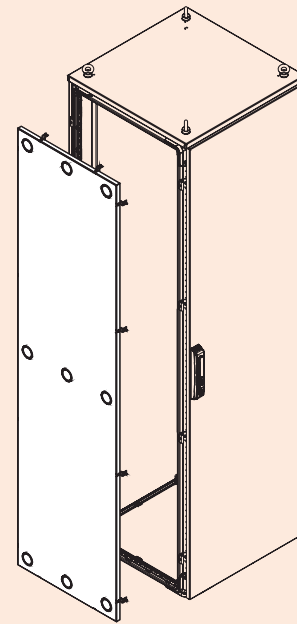
3.0 Assembled to Order

Vertical Segregation Panels - LOVS

INCLUSIONS

- 52mm knock-outs in top middle and bottom
- All fixings

Note: Cannot be used with mounting pan infill panel



ADVANTAGE

- Able to segregate equipment whilst upholding IP2X rating
- Can be used in conjunction with LQBK (baying kit) and maintain IP2X
- Segregation panels do not impede when using matrix rail

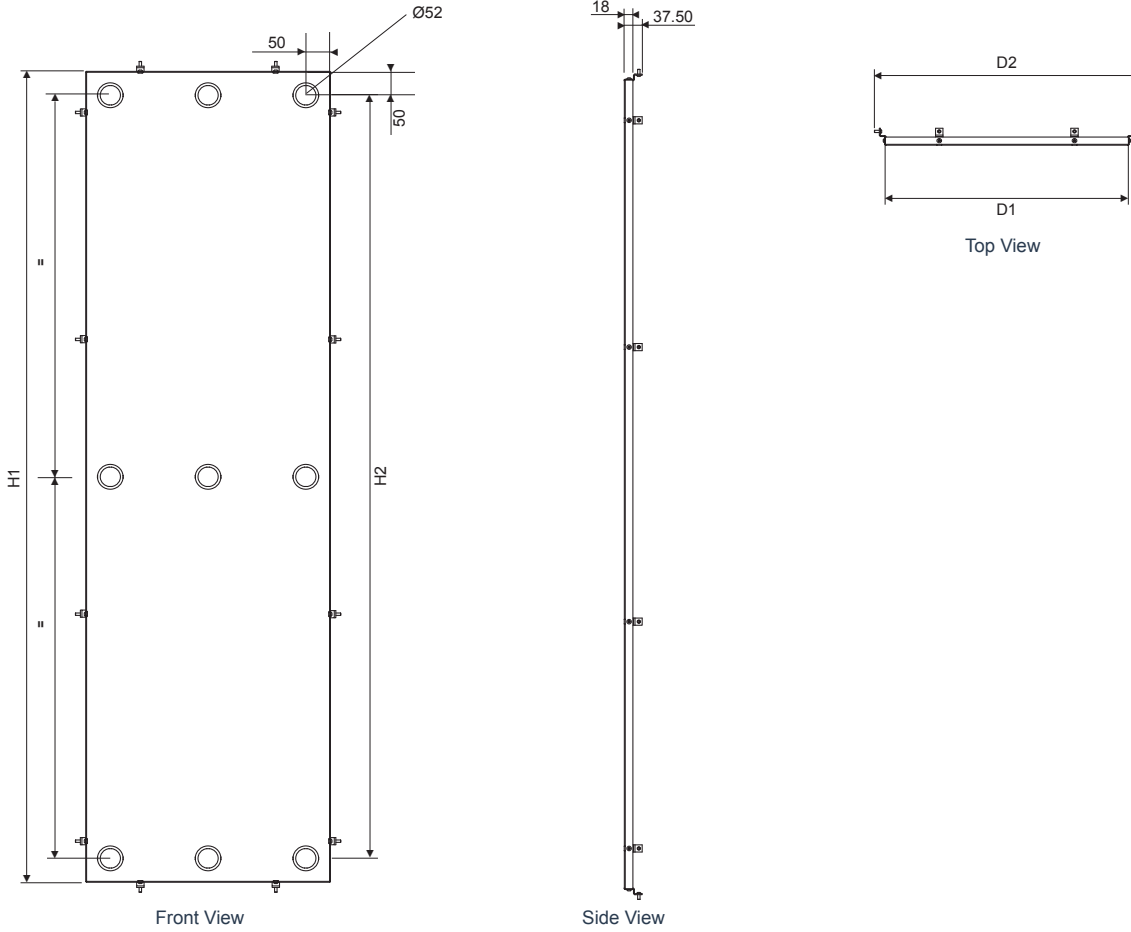
MATERIALS

- Zinc coated steel
- Thickness – 1.6mm

FINISH

- Minimal spangle galvanised steel

VERTICAL SEGREGATION PANEL



| Catalogue No. | External Dimensions (mm) | | Fixing Dimensions (mm) | |
|---------------|--------------------------|------------|------------------------|------------|
| | Height (H1) | Depth (D1) | Height (H2) | Depth (D2) |
| LQVS1404 | 1297 | 297 | 1319 | 319 |
| LQVS1405 | 1297 | 397 | 1319 | 419 |
| LQVS1406 | 1297 | 497 | 1319 | 519 |
| LQVS1408 | 1297 | 697 | 1319 | 719 |
| LQVS1604 | 1497 | 297 | 1519 | 319 |
| LQVS1605 | 1497 | 397 | 1519 | 419 |
| LQVS1606 | 1497 | 497 | 1519 | 519 |
| LQVS1608 | 1497 | 697 | 1519 | 719 |
| LQVS1804 | 1697 | 297 | 1719 | 319 |
| LQVS1805 | 1697 | 397 | 1719 | 419 |
| LQVS1806 | 1697 | 497 | 1719 | 519 |
| LQVS1808 | 1697 | 697 | 1719 | 719 |
| LQVS2004 | 1897 | 297 | 1919 | 319 |
| LQVS2005 | 1897 | 397 | 1919 | 419 |
| LQVS2006 | 1897 | 497 | 1919 | 519 |
| LQVS2008 | 1897 | 697 | 1919 | 719 |
| LQVS2204 | 2097 | 297 | 2119 | 319 |
| LQVS2205 | 2097 | 397 | 2119 | 419 |
| LQVS2206 | 2097 | 497 | 2119 | 519 |
| LQVS2208 | 2097 | 697 | 2119 | 719 |

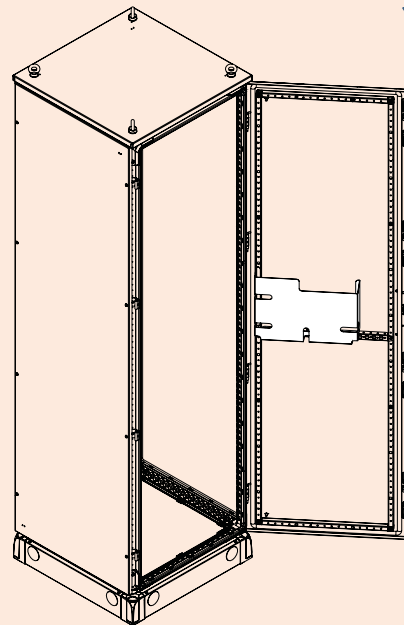
Portrait Plan Holder - LQPH



INCLUSIONS

- Plan holder (portrait)
- All fixings

Note: Door rail required for 600mm & 800mm door widths purchased separately.



iLINO LQPH Plan Holder Assembly Manual
← QR Download

ADVANTAGE

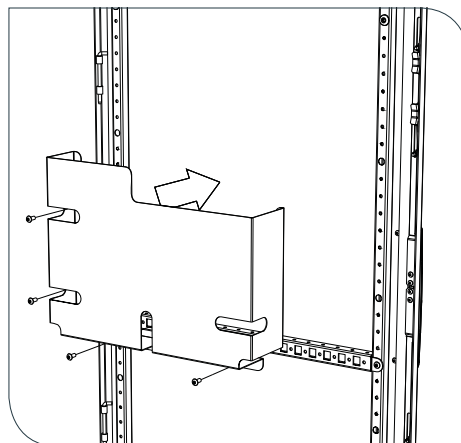
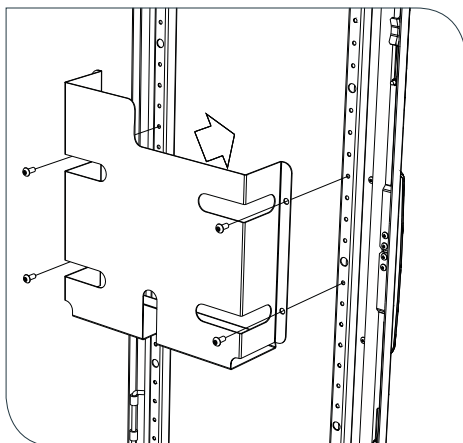
- A4 only - 400mm wide door
- A4 & A3 - 500mm & 600mm doors
- Depths of 35mm & 80mm
- Fix to the inside of the door

MATERIALS

- Zinc coated steel
- Thickness – 1.6mm

FINISH

- Powdercoated Mist Blue (white)



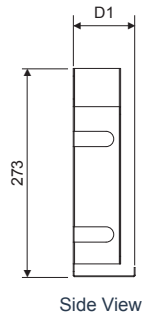
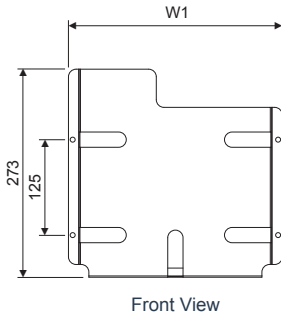
Plan Holder



HELPFUL HINT:

- A4 only - 400mm wide door
- A4 & A3 - 500mm, 600mm & 800mm doors

400MM & 500MM WIDE



400MM WIDE

| Catalogue No | Dimensions (mm) | | Suits |
|--------------|-----------------|------------|-------|
| | Width (W1) | Depth (D1) | |
| LQPH04/35 | 280 | 38 | A4 |
| LQPH04/80 | 280 | 81 | A4 |

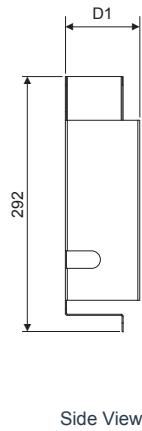
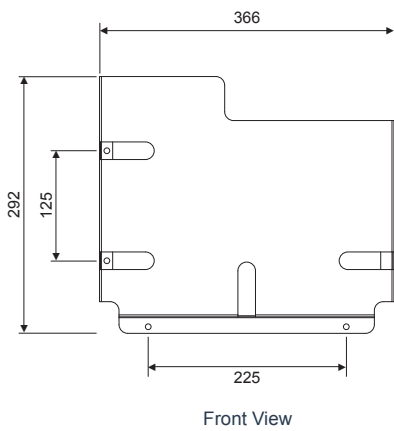
Please Note: Plan holder mounts to existing door rail

500MM WIDE

| Catalogue No | Dimensions (mm) | | Suits |
|--------------|-----------------|------------|-------------|
| | Width (W1) | Depth (D1) | |
| LQPH05/35 | 380 | 38 | A3 Portrait |
| LQPH05/80 | 380 | 81 | A3 Portrait |

Please Note: Plan holder mounts to existing door rail

600MM WIDE



600MM & 800MM WIDE DOOR

| Catalogue No. | Depth (D1) | Suits |
|---------------|------------|-------|
| LQPH06/35* | 39 | A3 |
| LQPH06/80* | 85 | A3 |

* Horizontal door rail required - see table below

DOOR RAIL

| Catalogue No. | Dimensions (mm) | | To suit door width (mm) |
|---------------|-----------------|--------------|-------------------------|
| | Width (W1) | Fixings (W2) | |
| LQRD04 | 288 | 268 | 400 |
| LQRD05 | 388 | 368 | 500 |
| LQRD06 | 488 | 468 | 600 |
| LQRD08 | 688 | 668 | 800 |



HELPFUL HINT:

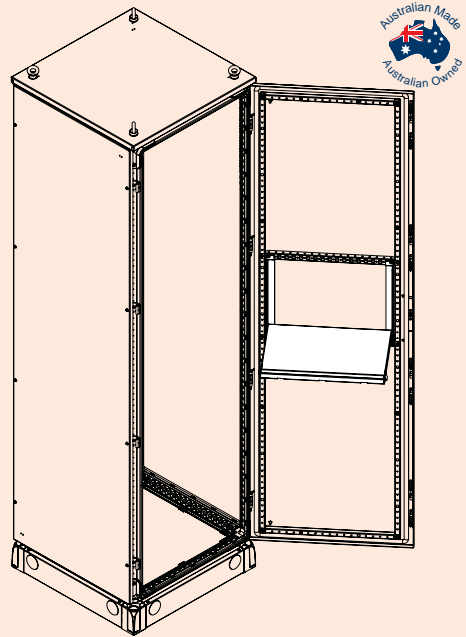
Planholders are available for all door sizes except: 600mm, 800mm, 1000mm wide **double-door** enclosures.

Laptop Lectern - LQLL

INCLUSIONS (LAPTOP LECTERN)

- Laptop Lectern
- All fixings

Note: Two (2) Door rails required (purchased separately)



iLINO LQLL Laptop Lectern Assembly Manual
◀ QR Download

ADVANTAGE

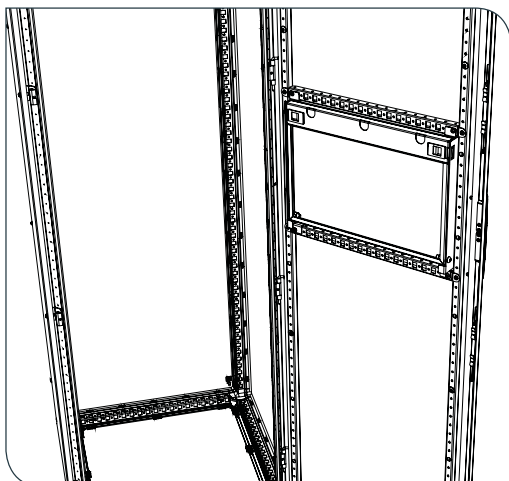
- To suit 600mm & 800mm wide doors
- Fixes to the internal side of the door
- Suitable for holding up to 20kg

MATERIALS

- Body – zinc coated steel

FINISH

- Powdercoated Mist Blue (white)



Door rail required

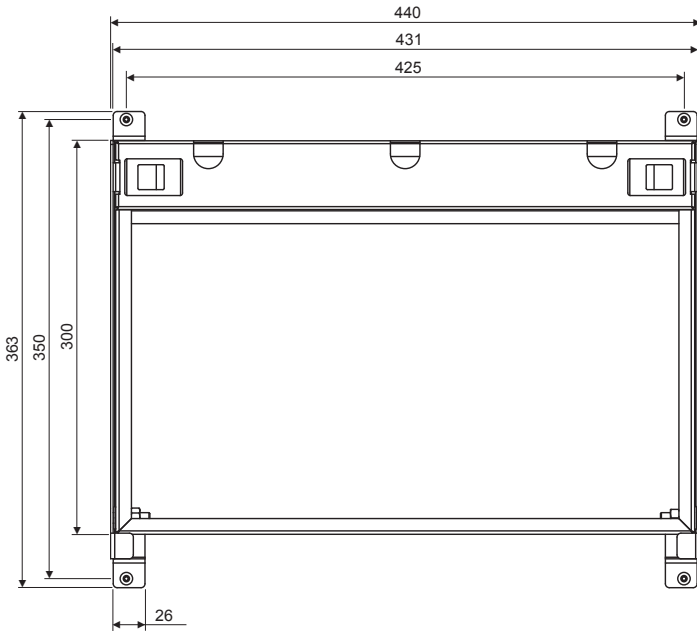


Easily installed laptop lectern

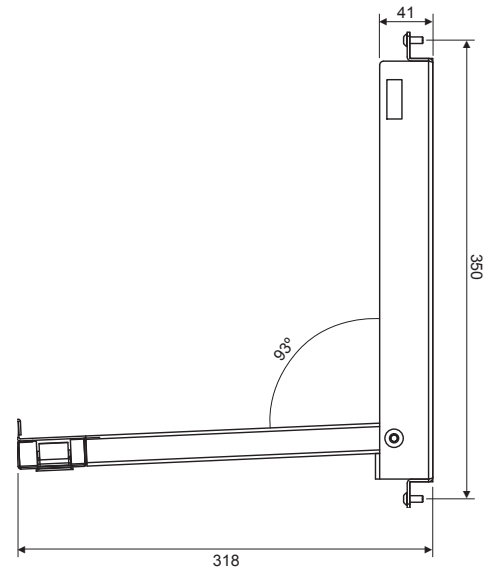


Ergonomic latch to retract lectern

LAPTOP LECTERN



Front View



Side View

3.0 Assembled to Order

| Catalogue No. | Description | Door Width (mm) | Also Required |
|---------------|--------------------------------|-----------------|---------------|
| LOLL | Laptop Lectern for iLINO range | 600 | Door Rail* |
| | | 800 | |

DOOR RAIL

| Catalogue No. | Dimensions (mm) | | To suit door width (mm) |
|---------------|-----------------|--------------|-------------------------|
| | Width (W1) | Fixings (W2) | |
| LQRD04 | 288 | 268 | 400 |
| LQRD05 | 388 | 368 | 500 |
| LQRD06 | 488 | 468 | 600 |
| LQRD08 | 688 | 668 | 800 |

* More information on door rails, see pages 64-65



HELPFUL HINT:
Door rails need to be purchased separately. Find selection guide left.

Please note: Two (2) door rails are required (purchased separately).

Lighting - LQLK

INCLUSIONS

(LQLK03/05)

- Mounting Brackets

(BRLED300/500)

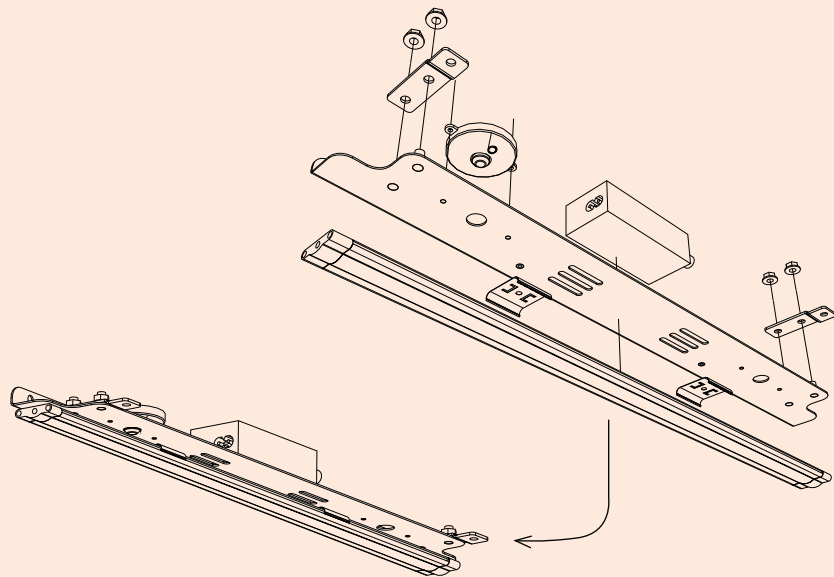
- LED Light - 300mm or 500mm
- Power Supply
- Switch

(BRLEDK03/05)

- LED Light - 300mm or 500mm
- Splitter
- Corner Connector
- Straight Connector

(BRMOT)

- PIR sensor



iLINQ LQLK Light Kit Assembly Manual
← QR Download

ADVANTAGE

- Allows for opening of full height swing frames or escutcheons when fitted
- PIR movement sensor for power efficiency on optional door switch
- Can be daisy changed for suites
- Mounted directly to 19" rack rails
- 300mm light = 280 (lm) lumens
- 500mm light = 460 (lm) lumens

MATERIALS

- Body – zinc coated steel
- Thickness – 1.6mm

FINISH

- Powdercoated Mist Blue (white)



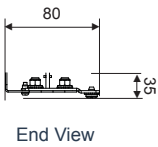
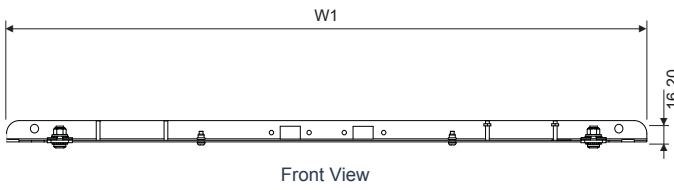
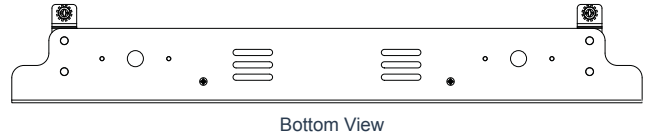
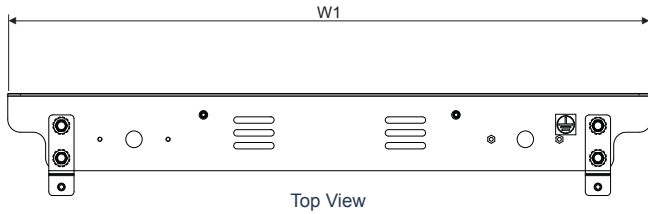
DID YOU KNOW?

An optional PIR motion sensor is available with the iLINQ light kits. This sensor will activate the light when the enclosure is opened. Light will turn off when not in use.



Light Kit

LIGHT BRACKET

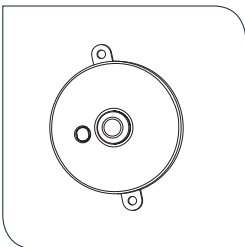


HELPFUL HINT:
BRLEDK05 and BRLEDK03
are required when daisy-
chaining lights together.

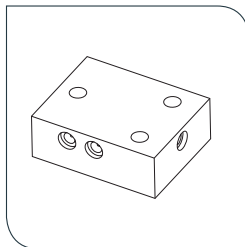
3.0 Assembled to Order

LIGHT SELECTION

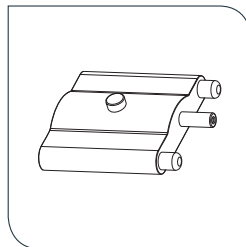
| Catalogue No. | Inclusions | | | | | Required Mounting Bracket | | To suit enclosure | |
|---------------|------------|--------------|----------|--------|------------|---------------------------|---------|-------------------|-------------------|
| | LED Light | Power Supply | Splitter | Switch | Connectors | LQLKB03 | LQLKB05 | Width (mm) | Optional |
| BRLED300 | • | • | | • | | • | | 400 | |
| BRLED500 | • | • | | • | | | • | 600 & 800 | BRMOT |
| BRLEDK03 | • | | • | | • | • | | 400 | PIR Motion Sensor |
| BRLEDK05 | • | | • | | • | | • | 600 & 800mm | |



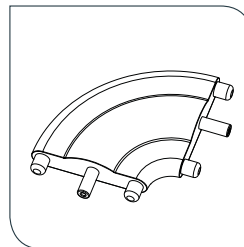
PIR Sensor



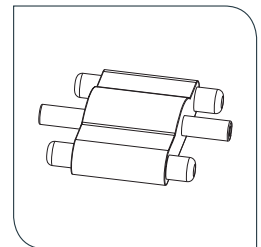
Splitter (up to 4 lights)



Switch



Corner Connector



Straight Connector

iLINQ SYSTEMS ACCESSORIES

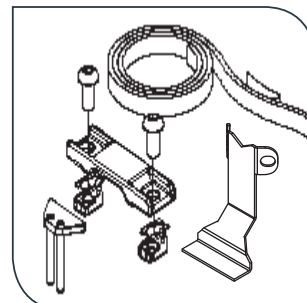
BAYING ACCESSORIES

The baying kit available for iLINQ is designed to be fitted in a multitude of places, maximising space and flexibility.

| Catalogue No | Description |
|--------------|--|
| LQBK | Baying kit (8 external / 10 internal) /gasket tape/plinth infill |
| LQMF1401 | Mounting pan infill 1400 high |
| LQMF1601 | Mounting pan infill 1600 high |
| LQMF1801 | Mounting pan infill 1800 high |



iLINQ LQBK Baying Kit Assembly Manual
◀ QR Download

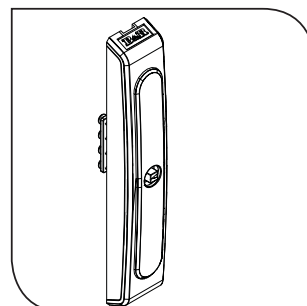


LQBK - Baying kit

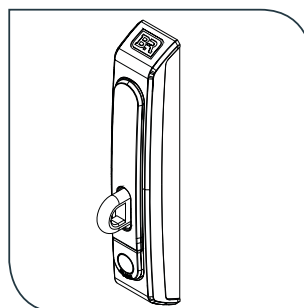
LOCKS

iLINQ has a range of locks available to suit any locking requirement.

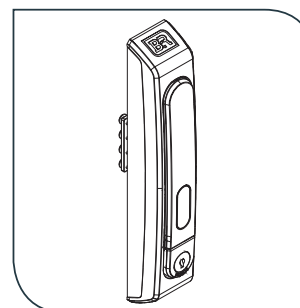
| Catalogue No | Description |
|--------------|--|
| LQLA7S | Lock assembly 7mm square, 8mm triangle, 3mm double bit |
| LQLS/92268 | Swing handle, Keylockable (92268) |
| LQLPAD | Swing Handle, Padlockable |
| SKZ | Key - metal 4 way (7mm square, 8mm triangle, 3mm double-bit, 8mm triangle) |



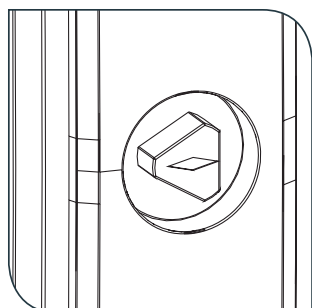
LQLA7S – Lock assembly 7mm square



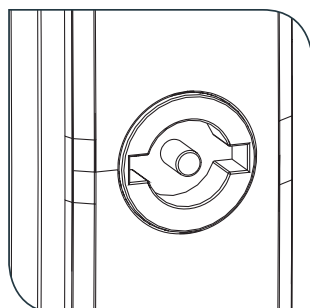
LQLPAD – Swing handle padlockable



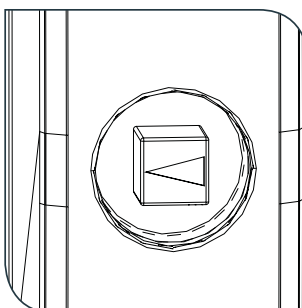
LQLS/92268 – Swing handle keylockable



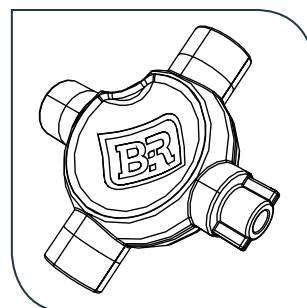
Lock insert 8mm triangle



Lock insert 3mm double bit



7mm square lock insert

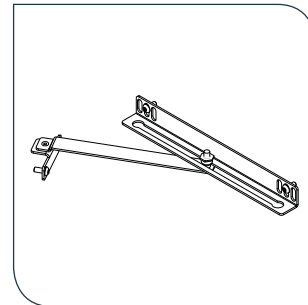


SKZ – Key metal 4-way
(7mm square, 8mm triangle, 3mm double-bit, 8mm triangle)

GENERAL ACCESSORIES

The door stay for iLINQ provides the user better access for prolonged periods of work on internal equipment.

| Catalogue No | Description |
|--------------|-------------------|
| LQATK | Allen Key Tools |
| LQDS | Door Stay (white) |

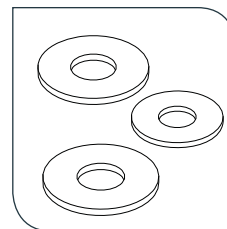


LQDS – Door Stay

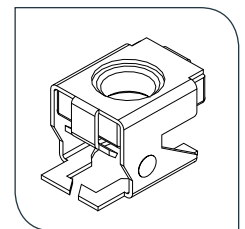
FIXINGS

Various fixing components are available to order separately if installing additional equipment to your suite.

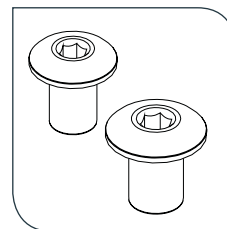
| Catalogue No | Description | Pack Qty |
|--------------|--|----------|
| LQCG06 | Cage nuts M6 (front access) | 20 |
| LQCG08 | Cage nuts M8 (front access) | 20 |
| ARCN | Cage nuts M6 (rear access) includes washers and screws | 50 |
| LOB0512 | Button head hex drive set screws (M5 x 12) | 20 |
| LQB0612 | Button head hex drive set screws (M6 x 12) | 20 |
| LQB0812 | Button head hex drive set screws (M8 x 12) | 20 |
| LQB0616 | Button head hex drive set screws (M6 x 16) | 20 |
| LQB0620 | Button head hex drive set screws (M6 x 20) | 20 |
| LQB0825 | Button head hex drive set screws (M8 x 25) | 20 |
| IPWS06 | Star washers M6 | 20 |
| IPWS08 | Star washers M8 | 20 |
| IPWF06 | Flat washers M6 | 20 |
| IPWF08 | Flat washers M8 | 20 |
| LQGN | Clamp nut for fixing gland plates to frame | 20 |



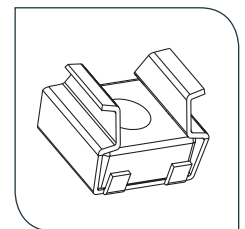
Flat Washers



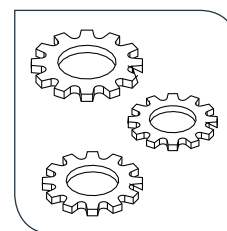
Front access cage nut



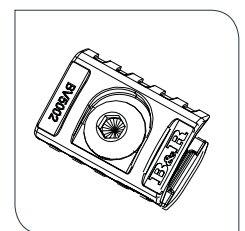
Button head hex drive set screw



Rear access cage nut



Star Washers



Clamp Nut



4.0 Climate Control

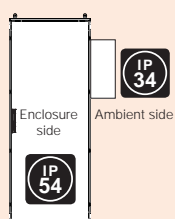
CLIMATE CONTROL
WALL-MOUNTED AIR CONDITIONERS

EGO Series

INCLUSIONS

- Mounting hardware
- Mounting template
- Electronic controller (TX-C16000259)

Note: If subject to above IP34 on the ambient side of the air conditioner, cowling is required.



ADVANTAGE

- For applications where internal temperature is required to be lower than the ambient temperature.
- Easy-to-install

MATERIALS

- Mild steel

FINISH

- Powdercoated Light Grey RAL7035

SELECTION GUIDE

| Catalogue No. | Cooling (W) | Power Supply (V/Ph/Hz) | Dimensions (mm) | | |
|---------------|-------------|------------------------|-----------------|-------|-------|
| | | | Height | Width | Depth |
| TX-EGO04BM1B | 380 | 230/1/50-60 | 460 | 285 | 215 |
| TX-EGO06BM1B | 640 | 230/1/50-60 | 606 | 316 | 254 |
| TX-EGO10BM1B | 1050 | 230/1/50-60 | 783 | 348 | 257 |
| TX-EGO16BM1B | 1600 | 230/1/50-60 | 999 | 405 | 237 |
| TX-EGO20BM1B | 2050 | 230/1/50-60 | 999 | 405 | 237 |



Coils



Controlller



Compressor

FAN & FIL Series

INCLUSIONS

- Mounting hardware
- Mounting template
- Gaskets



ADVANTAGE

- Reversible air flow direction
- Click-in fitting with no screws required
- Air flow capacities from 57 to 500m²/h

MATERIALS

- Plastic grill – ABS

FINISH

- Powdercoated Light Grey RAL7035

SELECTION GUIDE – FANS

| Catalogue No. | Air Flow Rate (m ³ /h) | Power Supply (V/Ph/Hz) | Dimensions (mm) | | |
|---------------|-----------------------------------|------------------------|-----------------|-------|-------|
| | | | Height | Width | Depth |
| TX-FAN12BN0B | 55 | 230/1/50-60 | 150 | 150 | 67 |
| TX-FAN25BN0B | 230 | 230/1/50-60 | 250 | 250 | 114 |
| TX-FAN28BN0B | 400 | 230/1/50-60 | 250 | 250 | 98 |
| TX-FAN35BN0B | 550 | 230/1/50-60 | 325 | 325 | 153 |

SELECTION GUIDE – FILTERS

| Catalogue No. | Dimensions (mm) | | |
|---------------|-----------------|-------|-------|
| | Height | Width | Depth |
| TX-FIL12XN0B | 150 | 150 | 28 |
| TX-FIL25XN0B | 150 | 150 | 28 |
| TX-FIL35XN0B | 150 | 150 | 28 |

SELECTION GUIDE – REPLACEMENT FILTERS

| Catalogue No. | Models | Qty |
|---------------|-------------------------|-----|
| TX-AAFFH12 | FAN12-FIL12 | 10 |
| TX-AAFFH25 | FAN25-FIL25-FAN28-FIL28 | 10 |
| TX-AAFFH35 | FAN35-FIL35 | 10 |

SELECTION GUIDE - VENT KIT AND VENT HOODS

| Description | Catalogue No. | Dimensions (mm) | | | To suit cutout (mm) |
|---|---------------|-----------------|-------|-------|--------------------------|
| | | Height | Width | Depth | |
| Vent kit – external – zinc coated steel | IPVK/LG | 130 | 130 | - | 80 x 80 |
| Vent hood – zinc coated steel | IPVH12/LG | 300 | 200 | 50 | FAN/FIL12 |
| | IPVH25/LG | 400 | 300 | 50 | FAN 25-FIL25/FAN28-FIL28 |
| | IPVH35/LG | 475 | 375 | 75 | FAN/FIL35 |



Fan Unit – Snap fix with screw fix option also available



Screw fix points



Protective Grill

WID Series

INCLUSIONS

- Mounting hardware
- Mounting template



ADVANTAGE

- Click-in assembly on 35mm DIN rail
- Heating capacities from 10 to 550W
- Configurations for natural and fan forced convection
- Use where low temperature or high humidity is present in the enclosure

MATERIALS

- Die-cast aluminium
- Plastic UL94-V-0



Natural



With Thermostat



Fan Forced

SELECTION GUIDE- STANDARD HEATER

| Catalogue No. | Heating (W) | Power Supply (V/Ph/Hz) | IP Rating | Dimensions (mm) | | |
|---------------|-------------|------------------------|-----------|-----------------|-------|-------|
| | | | | Height | Width | Depth |
| TX-WID01ZX0X | 10 | 110-250 AC/DC | IP54 | 61 | 50 | 25 |
| TX-WID02ZX0X | 20 | 110-250 AC/DC | IP54 | 71 | 50 | 25 |
| TX-WID03ZX0X | 30 | 110-250 AC/DC | IP54 | 81 | 50 | 25 |
| TX-WID05ZX0X | 45 | 110-250 AC/DC | IP20 | 107 | 70 | 50 |
| TX-WID10ZX0X | 100 | 110-250 AC/DC | IP20 | 182 | 70 | 50 |
| TX-WID15ZX0X | 150 | 110-250 AC/DC | IP20 | 262 | 70 | 50 |



Standard Heater

SELECTION GUIDE- STANDARD HEATER WITH COVER

| Catalogue No. | Heating (W) | Power Supply (V/Ph/Hz) | IP Rating | Dimensions (mm) | | |
|---------------|-------------|------------------------|-----------|-----------------|-------|-------|
| | | | | Height | Width | Depth |
| TX-WID05ZX0P | 50 | 110-250 AC/DC | IP20 | 110 | 60 | 90 |
| TX-WID10ZX0P | 100 | 110-250 AC/DC | IP20 | 110 | 60 | 90 |
| TX-WID15ZX0P | 150 | 110-250 AC/DC | IP20 | 150 | 60 | 90 |

SELECTION GUIDE- FAN FORCED COMPACT HEATERS

| Catalogue No. | Heating (W) | Power Supply (V/Ph/Hz) | IP Rating | Dimensions (mm) | | |
|---------------|-------------|------------------------|-----------|-----------------|-------|-------|
| | | | | Height | Width | Depth |
| TX-WID10BL0C | 100 | 230/1/50-60 | IP20 | 112 | 80 | 47 |
| TX-WID15BL0C | 150 | 230/1/50-60 | IP20 | 112 | 80 | 47 |
| TX-WID20BL0C | 200 | 230/1/50-60 | IP20 | 151 | 119 | 47 |
| TX-WID30BL0C | 300 | 230/1/50-60 | IP20 | 151 | 119 | 47 |
| TX-WID40BL0C | 400 | 230/1/50-60 | IP20 | 151 | 119 | 47 |



Fan Forced Compact Heaters

SELECTION GUIDE- FAN FORCED WITH THERMOSTAT

| Catalogue No. | Heating (W) | Power Supply (V/Ph/Hz) | IP Rating | Dimensions (mm) | | |
|---------------|-------------|------------------------|-----------|-----------------|-------|-------|
| | | | | Height | Width | Depth |
| TX-WID35BL0T | 350 | 230/1/50-60 | IP20 | 165 | 100 | 128 |
| TX-WID55BL0T | 550 | 230/1/50-60 | IP20 | 165 | 100 | 128 |
| TX-WID20BL0C | 200 | 230/1/50-60 | IP20 | 151 | 119 | 47 |



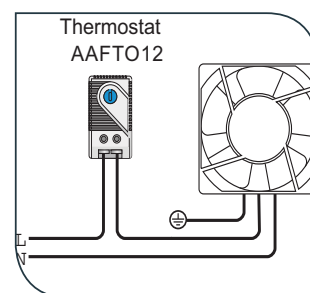
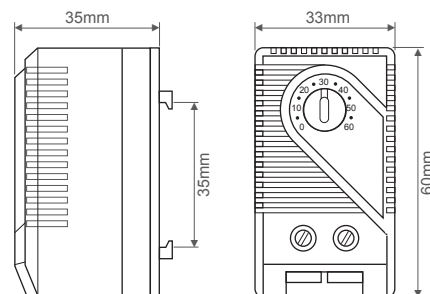
Fan Forced with Thermostat

CLIMATE CONTROL ACCESSORIES

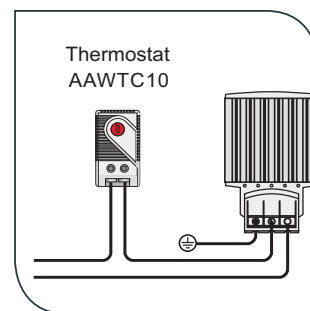
EXTERNAL AIR INTAKE FILTERS

The TX-AAFT012 thermostat has a normally open contact and is used mainly for cooling control, fans and heat exchangers. It is distinguished by the blue adjustment dial. The TX-AAWTC10 thermostat has a normally closed contact and is used mainly for heater control such as anticondensation heaters. It is distinguished by the red adjustment dial.

| Characteristics | TX-AAFT012 | TX-AAWTC10 |
|-------------------------------------|--|--|
| Setting range | 0–60°C | 0–60°C |
| Switch difference | 7 K | 7 K |
| Contact | NO | NC |
| Switching capacity (resistive load) | 10 A Cooling | 10 A Heating |
| Max. tension | 250 V AC | 250 V AC |
| Dimensions H x W x D | 60 x 33 x 35 mm | 60 x 33 x 35 mm |
| Sensor element | Bimetal | Bimetal |
| Electrical connection | 2-pole terminal (2.5 mm ²) | 2-pole terminal (2.5 mm ²) |
| Operating temperature limits | -20 +80°C | -20 to 80°C |
| Protection level EN60529 | IP20 | IP20 |
| Mounting on clip for DIN bar | 35 mm | 35 mm |
| Weight | 0.036 kg | 0.036 kg |
| Conformity | CE | CE |



Thermostat TX-AAFT012
– Cooling



Thermostat TX-AAWTC10 –
Heating

TWIN THERMOSTATS

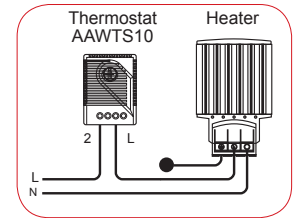
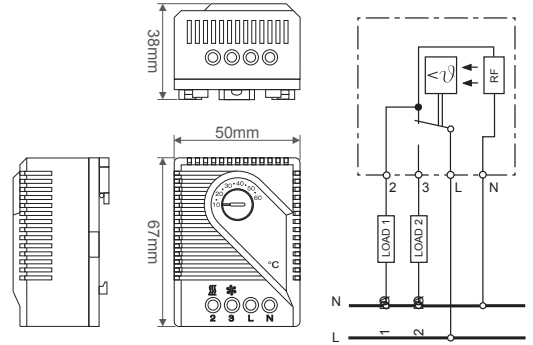
Two thermostats in a single housing allowing heating and cooling control from within one unit. The normally open / normally closed (NO/NC) configuration is useful for controlling anticondensation heater with the normally closed side and fans and filters with the normally open side. A NO/NO arrangement is also available.

| Characteristics | TX-C16000385 | TX-C16000386 | TX-C16000387 |
|-------------------------------------|--|--|--|
| Setting range | 0 +60 / 0 +60°C | 0 +60 / 0 +60°C | -10 +80 / +20 +80°C |
| Switch difference | 7 K | 7 K | 7 K |
| Contact | NC/NO | NO/NO | NC/NO |
| Switching capacity (resistive load) | 10 A | 10 A | 10 A |
| Max. tension | 250 V AC | 250 V AC | 250 V AC |
| Dimensions H x W x D | 67 x 50 x 46 mm | 67 x 50 x 46 mm | 67 x 50 x 46 mm |
| Sensor element | Bimetal | Bimetal | Bimetal |
| Electrical connection | 4-pole terminal (2.5 mm ²) | 4-pole terminal (2.5 mm ²) | 4-pole terminal (2.5 mm ²) |
| Operating temperature limits | -20 to +80°C | -20 to +80°C | -20 to 80°C |
| Protection level EN60529 | IP20 | IP20 | IP20 |
| Mounting on clip for DIN bar | 35 mm | 35 mm | 35 mm |
| Weight | 0.030 kg | 0.030 kg | 0.030 kg |
| Conformity | CE; UL | CE; UL | CE; UL |

THERMOSTAT 0.5°C TRIGGERING

The TX-AAWTS10 thermostat features a high capacity change-over contact and also thanks to the heat feed-back on the bimetal element, a triggering differential of just 0.5 K.

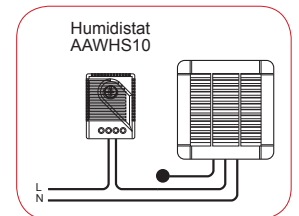
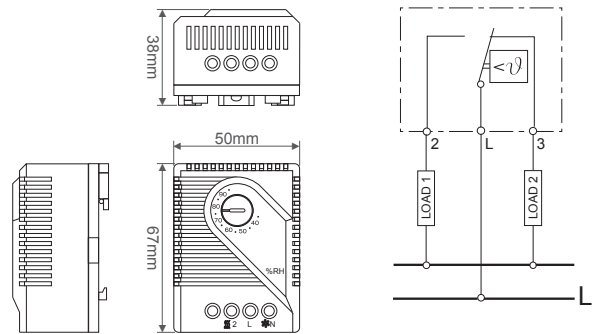
| Characteristics | TX-AAWTS10 | TX-AAWTC10 |
|-------------------------------------|---------------------------------------|--|
| Setting range | 5-60°C | 0-60°C |
| Switch difference | 4.0/0.5 K* | 7 K |
| Contact | Change over | NC |
| Switching capacity (resistive load) | 10 A | 10 A Heating |
| Max. tension | 250V AC | 250 V AC |
| Dimensions H x W x D | 67 x 50 x 38mm | 60 x 33 x 35 mm |
| Sensor element | Bimetal | Bimetal |
| Electrical connection | 4-pole terminal (2.5mm ²) | 2-pole terminal (2.5 mm ²) |
| Operating temperature limits | -20 +80°C | -20 to 80°C |
| Protection level EN60529 | IP20 | IP20 |
| Mounting on clip for DIN bar | 35mm | 35 mm |
| Weight | 0.1 kg | 0.036 kg |
| Conformity | CE | CE |



THERMOSTAT 0.5°C TRIGGERING

The TX-AAWTS10 thermostat features a high capacity change-over contact and also thanks to the heat feed-back on the bimetal element, a triggering differential of just 0.5 K.

| Characteristics | TX-AAWHS10 |
|-------------------------------------|---------------------------------------|
| Operating temp range | 0-60°C |
| Setting range | 35-95 %RH |
| Switch difference at 50%RH | 4 |
| Contact | Change over |
| Switching capacity (resistive load) | 5 A |
| Max. tension | 230 V AC |
| Dimensions H x W x D | 67 x 50 x 38mm |
| Permissible air velocity | 15m/s |
| Electrical connection | 3-pole terminal (2.5mm ²) |
| Operating temperature limits | -20 +80°C |
| Protection level EN60529 | IP20 |
| Mounting on clip for DIN bar | 35mm |
| Weight | 0.06kg |
| Conformity | CE |





TECHNICAL LOAD/LIFT CHART

| Item | iLINQ Code | Distributed (kg) | Concentrated (kg) | Aggregate (kg) | Horizontal (kg) | Vertical (kg) |
|---|------------|------------------|-------------------|----------------|-----------------|---------------|
| Plinth kit | LQP | 1300 | N/A | N/A | N/A | N/A |
| Cladding panels | LQCF/CP | N/A | 5 | 80 | N/A | N/A |
| Mounting pan | LQMP | N/A | 40 | 500 | N/A | N/A |
| Plinth base | LQPB | 1300 | N/A | N/A | N/A | N/A |
| Enclosures lifting load - series to 1200 wide | LQE | N/A | N/A | 1500 | N/A | N/A |
| Swing frame - 135° configuration | LQSF | 110 | N/A | N/A | N/A | N/A |
| Swing frame - 180° configuration | LQSF | 60 | N/A | N/A | N/A | N/A |
| Matrix rail | LQRM | N/A | N/A | N/A | 50 | 60 |
| Single door | LQD | N/A | N/A | N/A | N/A | 80 |
| Double door | LQDD | N/A | N/A | N/A | N/A | 80 |
| Laptop lectern | LQLL | 20 | N/A | N/A | N/A | N/A |
| Internal rails | LQRP/LQRD | N/A | N/A | N/A | 35 | 60 |

- Concentrated load is considered as 150mm x 150mm mounting area with a load centre not exceeding 100mm from the mounting face
- Concentrated loads not to be mounted with less than 300mm clear spacing between items
- Lifting capacities refer to gross load, which includes the enclosure self weight
- Lifting to be conducted with maximum included sling angle of 60°

**TECHNICAL
IP RATINGS CHART**



Protection provided by enclosures for electrical equipment is indicated by the IP Code, basically by the two characteristic numerals.

First Numeral Protection against the ingress of solid IP **Second Numeral** Protection against harmful ingress of water

| IP | Requirements | Example | Protection of persons against access to hazardous parts with: | IP | Requirements | Example | Protection from water |
|----|---|---------|---|----|---|---------|--|
| 0 | No protection | | Non-protected | 0 | No protection | | Non-protected |
| 1 | Full penetration of 50mm diameter sphere not allowed. Contact with hazardous parts not permitted. | | Back of hand | 1 | Protected against vertically falling drops of water. Limited ingress permitted. | | Vertically dripping |
| 2 | Full penetration of 12.5mm diameter sphere not allowed. The jointed test finger shall have adequate clearance from hazardous parts. | | Finger | 2 | Protected against vertically falling drops of water with the enclosure tilted 15° from the vertical. Limited ingress permitted. | | Dripping up to 15° from the vertical |
| 3 | The access probe of 2.5mm diameter shall not penetrate. | | Tool | 3 | Protected against sprays to 60° from the vertical. Limited ingress permitted. | | Limited spraying |
| 4 | The access probe of 1.0mm diameter shall not penetrate. | | Wire | 4 | Protected against water splashed from all directions. Limited ingress permitted. | | Splashing from all directions |
| 5 | Limited ingress of dust permitted (no harmful deposit). | | Wire | 5 | Protected against jets of water. Limited ingress permitted. | | Hosing jets from all directions |
| 6 | Totally protected against the ingress of dust. | | Wire | 6 | Protected against strong jets of water. Limited ingress permitted. | | Strong hosing jets from all directions |
| | | | | 7 | Protected against the effects of immersion between 15cm and 1m. | | Temporary immersion |
| | | | | 8 | Protected against long periods of immersion under pressure | | Continuous immersion |

This Chart is intended to be read in conjunction with AS60529. Degrees of protection provided by enclosures for electrical equipment (IP Code).

The symbols shown on this chart are for explanatory purposes only. They are not part of the IP Code and must not be used instead of the Code.

5.0 Product Index & Glossary

SPECIFICATION GUIDE
LQE STAND-ALONE - TIER DESIGN

Project Name: _____

Client: _____

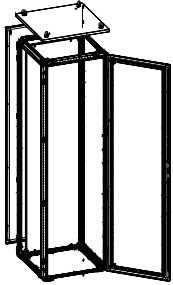


PHOTOCOPY

Photocopy this sheet for each tier design. Once complete, send to your B&R representative to provide a detailed quote for your request.

STEP 1: SIZE SELECTION

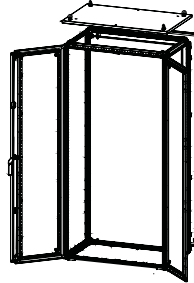
START HERE



LQE - Single Door

Qty: _____

| Height (mm) | Width(mm) | Depth(mm) |
|-------------------------------|------------------------------|------------------------------|
| 1400 <input type="checkbox"/> | 400 <input type="checkbox"/> | 400 <input type="checkbox"/> |
| 1600 <input type="checkbox"/> | 500 <input type="checkbox"/> | 500 <input type="checkbox"/> |
| 1800 <input type="checkbox"/> | 600 <input type="checkbox"/> | 600 <input type="checkbox"/> |
| 2000 <input type="checkbox"/> | 800 <input type="checkbox"/> | 800 <input type="checkbox"/> |
| 2200 <input type="checkbox"/> | | |



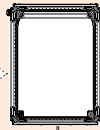
LQE - Double Door

Qty: _____

| Height (mm) | Width(mm) | Depth(mm) |
|-------------------------------|-------------------------------|------------------------------|
| 1400 <input type="checkbox"/> | 600 <input type="checkbox"/> | 400 <input type="checkbox"/> |
| 1600 <input type="checkbox"/> | 800 <input type="checkbox"/> | 500 <input type="checkbox"/> |
| 1800 <input type="checkbox"/> | 1000 <input type="checkbox"/> | 600 <input type="checkbox"/> |
| 2000 <input type="checkbox"/> | 1200 <input type="checkbox"/> | 800 <input type="checkbox"/> |
| 2200 <input type="checkbox"/> | | |

STEP 2: COMPONENT SELECTION (Please tick)

VISUAL GUIDE
 Use this simple top-view guide to help visualise the position of each tier and components inside.

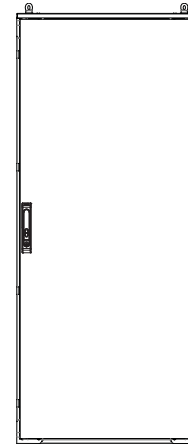


If this tier is part of a suite, please show where it is located below:

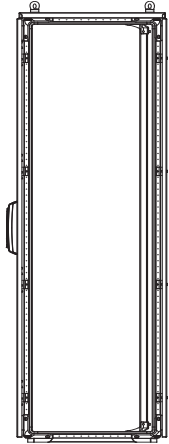


STEP 3: ADDITIONAL DETAILS

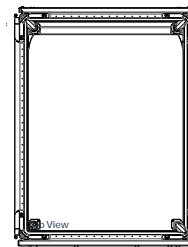
Notes/Drawing space



Front View



Side View



View

| CODE | DESCRIPTION | TIER (tick) | PART NUMBER/NOTES |
|-----------------------|--------------|------------------------------|-------------------|
| LQE INCLUSIONS | LQF | Frame | • |
| | LQD | Solid door (single / double) | • |
| | LQCF | Rear fixed cladding | • |
| | LQTF | Flat top with 4 eye bolts | • |
| | LQGP | Fixed gland plate | • |
| | LQMP | Mounting Pan | • |
| | LQLS | Keylockable swing handle | • |
| ADDITIONAL COMPONENTS | LQCF | Cladding Fixed | |
| | LQCP | Cladding Hinged | |
| | LQP | Plinth Kit | |
| | LQPC | Plinth Cladding | |
| | LQPB | Plinth Base 100mm | |
| | LQSF | Swing Frame | |
| | LOSS/SC | Swing Frame Trims | |
| | LQRR | 19" Rack Rails | |
| | LQRP | Profile Rail 25mm | |
| | | Profile Rail 50mm | |
| | LQRM | Matrix Rail (write size) | |
| | LQRD | Door Rail | |
| | LQHE | Hinged Escutcheon | |
| | LQVS | Vertical Segregation Panels | |
| | LQPH | Plan Holder | |
| | LQLL | Laptop Lectern | |
| | LQLK | Light Kit | |
| LQMF | Infill Panel | | |
| LQBK | Baying Kit | | |

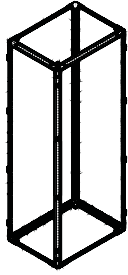
SPECIFICATION GUIDE
ASSEMBLED TO ORDER - TIER DESIGN



Project Name: _____

Client: _____

START HERE



LQF - Frame Selection (Single Door)

LQF - Frame Selection (Double Door)

Qty: _____

| Height (mm) | Width(mm) | Depth(mm) |
|-------------------------------|------------------------------|------------------------------|
| 1400 <input type="checkbox"/> | 400 <input type="checkbox"/> | 400 <input type="checkbox"/> |
| 1600 <input type="checkbox"/> | 500 <input type="checkbox"/> | 500 <input type="checkbox"/> |
| 1800 <input type="checkbox"/> | 600 <input type="checkbox"/> | 600 <input type="checkbox"/> |
| 2000 <input type="checkbox"/> | 800 <input type="checkbox"/> | 800 <input type="checkbox"/> |
| 2200 <input type="checkbox"/> | | |

Qty: _____

| Height (mm) | Width(mm) | Depth(mm) |
|-------------------------------|-------------------------------|------------------------------|
| 1400 <input type="checkbox"/> | 600 <input type="checkbox"/> | 400 <input type="checkbox"/> |
| 1600 <input type="checkbox"/> | 800 <input type="checkbox"/> | 500 <input type="checkbox"/> |
| 1800 <input type="checkbox"/> | 1000 <input type="checkbox"/> | 600 <input type="checkbox"/> |
| 2000 <input type="checkbox"/> | 1200 <input type="checkbox"/> | 800 <input type="checkbox"/> |
| 2200 <input type="checkbox"/> | | |

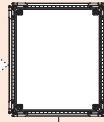


PHOTOCOPY

Photocopy this sheet for each tier design. Once complete, send to your B&R representative to provide a detailed quote for your request.

STEP 2: COMPONENT SELECTION (Please tick)

VISUAL GUIDE
 Use this simple top-view guide to help visualise the position of each tier and components inside.



If this tier is part of a suite, please show where it is located below:

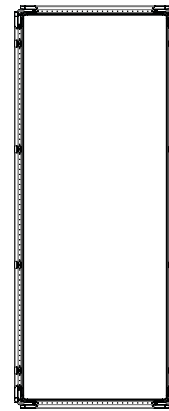


| CODE | DESCRIPTION | TIER (Tick) | PART NUMBER/NOTES |
|---------|-----------------------------|-------------|-------------------|
| LQF | Frame | . | |
| LQD | Solid door | | |
| LQD/W | Window door | | |
| LQD/V | Vented door | | |
| LQTF/TV | Top | | |
| LQGP | Fixed gland plate | | |
| LQGP/A | Adjustable Gland Plate | | |
| LQMP | Mounting Pan | | |
| LQLPAD | Swing Handle, Padlockable | | |
| LQLA7S | Lock Assembly 7mm square | | |
| LQCF | Cladding Fixed | | |
| LQCP | Cladding Hinged | | |
| LQPC | Plinth Cladding | | |
| LQPB | Plinth Base 100mm | | |
| LQP | Plinth Kit | | |
| LQSF | Swing Frame | | |
| LQSC | Swing Frame Trims | | |
| LQRR | 19" Rack Rails | | |
| LQRP | Profile Rail 25mm | | |
| | Profile Rail 50mm | | |
| LQRM | Matrix Rail | | |
| LQRD | Door Rail | | |
| LQHE | Hinged Escutcheon | | |
| LQVS | Vertical Segregation Panels | | |
| LQPH | Plan Holder | | |
| LQLL | Laptop Lectern | | |
| LQLK | Light Kit | | |
| LQMF | Infill Panel | | |
| LQBK | Baying Kit | | |

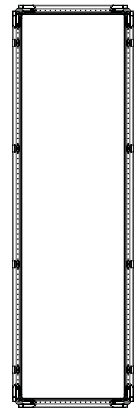
COMPONENTS

STEP 3: POSITION COMPONENTS

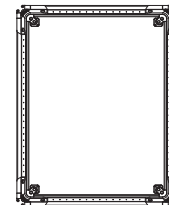
Notes/Drawing space



Front View



Side View



Top View

5.0 Product Index & Glossary

PRODUCT INDEX

| Catalogue No. | Page Number |
|---------------|-------------|
| LQATK | 77 |
| LQB0512 | 77 |
| LQB0612 | 77 |
| LQB0616 | 77 |
| LQB0620 | 77 |
| LQB0812 | 77 |
| LQB0825 | 77 |
| LQBK | 76 |
| LQCF1404 | 37 |
| LQCF1405 | 37 |
| LQCF1406 | 37 |
| LQCF1408 | 37 |
| LQCF1410 | 37 |
| LQCF1412 | 37 |
| LQCF1604 | 37 |
| LQCF1605 | 37 |
| LQCF1606 | 37 |
| LQCF1608 | 37 |
| LQCF1610 | 37 |
| LQCF1612 | 37 |
| LQCF1804 | 37 |
| LQCF1805 | 37 |
| LQCF1806 | 37 |
| LQCF1808 | 37 |
| LQCF1810 | 37 |
| LQCF1812 | 37 |
| LQCF2004 | 37 |
| LQCF2005 | 37 |
| LQCF2006 | 37 |
| LQCF2008 | 37 |
| LQCF2010 | 37 |
| LQCF2012 | 37 |
| LQCF2204 | 37 |
| LQCF2205 | 37 |
| LQCF2206 | 37 |
| LQCF2208 | 37 |
| LQCF2210 | 37 |
| LQCF2212 | 37 |
| LQCG06 | 37 |
| LQCG08 | 37 |
| LQCP1404 | 37 |
| LQCP1405 | 37 |
| LQCP1406 | 37 |
| LQCP1408 | 37 |
| LQCP1410 | 37 |
| LQCP1412 | 37 |
| LQCP1604 | 37 |
| LQCP1605 | 37 |
| LQCP1606 | 37 |
| LQCP1608 | 37 |
| LQCP1610 | 37 |
| LQCP1612 | 37 |
| LQCP1804 | 37 |
| LQCP1805 | 37 |
| LQCP1806 | 37 |
| LQCP1808 | 37 |

| Catalogue No. | Page Number |
|---------------|-------------|
| LQCP1810 | 37 |
| LQCP1812 | 37 |
| LQCP2004 | 37 |
| LQCP2005 | 37 |
| LQCP2006 | 37 |
| LQCP2008 | 37 |
| LQCP2010 | 37 |
| LQCP2012 | 37 |
| LQCP2204 | 37 |
| LQCP2205 | 37 |
| LQCP2206 | 37 |
| LQCP2208 | 37 |
| LQCP2210 | 37 |
| LQCP2212 | 37 |
| LQD1404 | 33 |
| LQD1405 | 33 |
| LQD1405/V | 33 |
| LQD1405/W | 33 |
| LQD1406 | 33 |
| LQD1406/V | 33 |
| LQD1406/W | 33 |
| LQD1408 | 33 |
| LQD1408/V | 33 |
| LQD1408/W | 33 |
| LQD1604 | 33 |
| LQD1605 | 33 |
| LQD1605/V | 33 |
| LQD1605/W | 33 |
| LQD1606 | 33 |
| LQD1606/V | 33 |
| LQD1606/W | 33 |
| LQD1608 | 33 |
| LQD1608/V | 33 |
| LQD1608/W | 33 |
| LQD1804 | 33 |
| LQD1805 | 33 |
| LQD1805/V | 33 |
| LQD1805/W | 33 |
| LQD1806 | 33 |
| LQD1806/V | 33 |
| LQD1806/W | 33 |
| LQD1808 | 33 |
| LQD1808/V | 33 |
| LQD1808/W | 33 |
| LQD2004 | 33 |
| LQD2005 | 33 |
| LQD2005/V | 33 |
| LQD2005/W | 33 |
| LQD2006 | 33 |
| LQD2006/V | 33 |
| LQD2006/W | 33 |
| LQD2008 | 33 |
| LQD2008/V | 33 |
| LQD2008/W | 33 |
| LQD2204 | 33 |
| LQD2205 | 33 |

| Catalogue No. | Page Number |
|---------------|-------------|
| LQD2205/V | 33 |
| LQD2205/W | 33 |
| LQD2206 | 33 |
| LQD2206/V | 33 |
| LQD2206/W | 33 |
| LQD2208 | 33 |
| LQD2208/V | 33 |
| LQD2208/W | 33 |
| LQDD1406 | 35 |
| LQDD1406/V | 35 |
| LQDD1406/W | 35 |
| LQDD1408 | 35 |
| LQDD1408/V | 35 |
| LQDD1408/W | 35 |
| LQDD1410 | 35 |
| LQDD1410/V | 35 |
| LQDD1410/W | 35 |
| LQDD1412 | 35 |
| LQDD1412/V | 35 |
| LQDD1412/W | 35 |
| LQDD1606 | 35 |
| LQDD1606/V | 35 |
| LQDD1606/W | 35 |
| LQDD1608 | 35 |
| LQDD1608/V | 35 |
| LQDD1608/W | 35 |
| LQDD1610 | 35 |
| LQDD1610/V | 35 |
| LQDD1610/W | 35 |
| LQDD1612 | 35 |
| LQDD1612/V | 35 |
| LQDD1612/W | 35 |
| LQDD1806 | 35 |
| LQDD1806/V | 35 |
| LQDD1806/W | 35 |
| LQDD1808 | 35 |
| LQDD1808/V | 35 |
| LQDD1808/W | 35 |
| LQDD1810 | 35 |
| LQDD1810/V | 35 |
| LQDD1810/W | 35 |
| LQDD1812 | 35 |
| LQDD1812/V | 35 |
| LQDD1812/W | 35 |
| LQDD2006 | 35 |
| LQDD2006/V | 35 |
| LQDD2006/W | 35 |
| LQDD2008 | 35 |
| LQDD2008/V | 35 |
| LQDD2008/W | 35 |
| LQDD2010 | 35 |
| LQDD2010/V | 35 |
| LQDD2010/W | 35 |
| LQDD2012 | 35 |
| LQDD2012/V | 35 |
| LQDD2012/W | 35 |



| Catalogue No. | Page Number |
|---------------|-------------|
| LQDD2206 | 35 |
| LQDD2206/V | 35 |
| LQDD2206/W | 35 |
| LQDD2208 | 35 |
| LQDD2208/V | 35 |
| LQDD2208/W | 35 |
| LQDD2210 | 35 |
| LQDD2210/V | 35 |
| LQDD2210/W | 35 |
| LQDD2212 | 35 |
| LQDD2212/V | 35 |
| LQDD2212/W | 35 |
| LQDS | 77 |
| LQE140404 | 16 |
| LQE140405 | 17 |
| LQE140406 | 18 |
| LQE140408 | 19 |
| LQE140504 | 16 |
| LQE140505 | 17 |
| LQE140506 | 18 |
| LQE140508 | 19 |
| LQE140604 | 16 |
| LQE140604/DD | 20 |
| LQE140605 | 17 |
| LQE140605/DD | 21 |
| LQE140606 | 18 |
| LQE140606/DD | 22 |
| LQE140608 | 19 |
| LQE140608/DD | 23 |
| LQE140804 | 16 |
| LQE140804/DD | 20 |
| LQE140805 | 17 |
| LQE140805/DD | 21 |
| LQE140806 | 18 |
| LQE140806/DD | 22 |
| LQE140808 | 19 |
| LQE140808/DD | 23 |
| LQE141004/DD | 20 |
| LQE141005/DD | 21 |
| LQE141006/DD | 22 |
| LQE141008/DD | 23 |
| LQE141204/DD | 20 |
| LQE141205/DD | 21 |
| LQE141206/DD | 22 |
| LQE141208/DD | 23 |
| LQE160404 | 16 |
| LQE160405 | 17 |
| LQE160406 | 18 |
| LQE160408 | 19 |
| LQE160504 | 16 |
| LQE160505 | 17 |
| LQE160506 | 18 |
| LQE160508 | 19 |
| LQE160604 | 16 |
| LQE160604/DD | 20 |
| LQE160605 | 17 |

| Catalogue No. | Page Number |
|---------------|-------------|
| LQE160605/DD | 21 |
| LQE160606 | 18 |
| LQE160606/DD | 22 |
| LQE160608 | 19 |
| LQE160804 | 16 |
| LQE160804/DD | 20 |
| LQE160805 | 17 |
| LQE160805/DD | 21 |
| LQE160806 | 18 |
| LQE160806/DD | 22 |
| LQE160808 | 19 |
| LQE160808/DD | 23 |
| LQE160808/DD | 23 |
| LQE161004/DD | 20 |
| LQE161005/DD | 21 |
| LQE161006/DD | 22 |
| LQE161008/DD | 23 |
| LQE161204/DD | 20 |
| LQE161205/DD | 21 |
| LQE161206/DD | 22 |
| LQE161208/DD | 23 |
| LQE180404 | 16 |
| LQE180405 | 17 |
| LQE180406 | 18 |
| LQE180408 | 19 |
| LQE180504 | 16 |
| LQE180505 | 17 |
| LQE180506 | 18 |
| LQE180508 | 19 |
| LQE180604 | 16 |
| LQE180604/DD | 20 |
| LQE180605 | 17 |
| LQE180605/DD | 21 |
| LQE180606 | 18 |
| LQE180606/DD | 22 |
| LQE180608 | 19 |
| LQE180608/DD | 23 |
| LQE180804 | 16 |
| LQE180804/DD | 20 |
| LQE180805 | 17 |
| LQE180805/DD | 21 |
| LQE180806 | 18 |
| LQE180806/DD | 22 |
| LQE180808 | 19 |
| LQE180808/DD | 23 |
| LQE181004/DD | 20 |
| LQE181005/DD | 21 |
| LQE181006/DD | 22 |
| LQE181008/DD | 23 |
| LQE181204/DD | 20 |
| LQE181205/DD | 21 |
| LQE181206/DD | 22 |
| LQE181208/DD | 23 |
| LQE200404 | 16 |
| LQE200405 | 17 |
| LQE200406 | 18 |

| Catalogue No. | Page Number |
|---------------|-------------|
| LQE200408 | 19 |
| LQE200504 | 16 |
| LQE200505 | 17 |
| LQE200506 | 18 |
| LQE200508 | 19 |
| LQE200604 | 16 |
| LQE200604/DD | 20 |
| LQE200605 | 17 |
| LQE200605/DD | 21 |
| LQE200606 | 18 |
| LQE200606/DD | 22 |
| LQE200608 | 19 |
| LQE200608/DD | 23 |
| LQE200804 | 16 |
| LQE200804/DD | 20 |
| LQE200805 | 17 |
| LQE200805/DD | 21 |
| LQE200806 | 18 |
| LQE200806/DD | 22 |
| LQE200808 | 19 |
| LQE200808/DD | 23 |
| LQE201004/DD | 20 |
| LQE201005/DD | 21 |
| LQE201006/DD | 22 |
| LQE201008/DD | 23 |
| LQE201204/DD | 20 |
| LQE201205/DD | 21 |
| LQE201206/DD | 22 |
| LQE201208/DD | 23 |
| LQE220404 | 16 |
| LQE220405 | 17 |
| LQE220406 | 18 |
| LQE220408 | 19 |
| LQE220504 | 16 |
| LQE220505 | 17 |
| LQE220506 | 18 |
| LQE220508 | 19 |
| LQE220604 | 16 |
| LQE220604/DD | 20 |
| LQE220605 | 17 |
| LQE220605/DD | 21 |
| LQE220606 | 18 |
| LQE220606/DD | 22 |
| LQE220608 | 19 |
| LQE220608/DD | 23 |
| LQE220804 | 16 |
| LQE220804/DD | 20 |
| LQE220805 | 17 |
| LQE220805/DD | 21 |
| LQE220806 | 18 |
| LQE220806/DD | 22 |
| LQE220808 | 19 |
| LQE220808/DD | 23 |
| LQE221004/DD | 20 |
| LQE221005/DD | 21 |
| LQE221006/DD | 22 |

PRODUCT INDEX

| Catalogue No. | Page Number |
|---------------|-------------|
| LQE221008/DD | 23 |
| LQE221204/DD | 20 |
| LQE221205/DD | 21 |
| LQE221206/DD | 22 |
| LQE221208/DD | 23 |
| LQF140404 | 31 |
| LQF140606 | 31 |
| LQF140804 | 31 |
| LQF140805 | 31 |
| LQF140806 | 31 |
| LQF140808 | 31 |
| LQF141004 | 31 |
| LQF141005 | 31 |
| LQF141006 | 31 |
| LQF141008 | 31 |
| LQF141204 | 31 |
| LQF141205 | 31 |
| LQF141206 | 31 |
| LQF141208 | 31 |
| LQF160404 | 31 |
| LQF160504 | 31 |
| LQF160505 | 31 |
| LQF160604 | 31 |
| LQF160605 | 31 |
| LQF160606 | 31 |
| LQF160804 | 31 |
| LQF160805 | 31 |
| LQF160806 | 31 |
| LQF160808 | 31 |
| LQF161004 | 31 |
| LQF161005 | 31 |
| LQF161006 | 31 |
| LQF161008 | 31 |
| LQF161204 | 31 |
| LQF161205 | 31 |
| LQF161206 | 31 |
| LQF161208 | 31 |
| LQF180404 | 31 |
| LQF180504 | 31 |
| LQF180505 | 31 |
| LQF180604 | 31 |
| LQF180605 | 31 |
| LQF180606 | 31 |
| LQF180804 | 31 |
| LQF180805 | 31 |
| LQF180806 | 31 |
| LQF180808 | 31 |
| LQF181004 | 31 |
| LQF181005 | 31 |
| LQF181006 | 31 |
| LQF181008 | 31 |
| LQF181204 | 31 |
| LQF181205 | 31 |
| LQF181206 | 31 |
| LQF181208 | 31 |
| LQF200404 | 31 |

| Catalogue No. | Page Number |
|---------------|-------------|
| LQF2005 | 31 |
| LQF200505 | 31 |
| LQF200604 | 31 |
| LQF200605 | 31 |
| LQF200606 | 31 |
| LQF200804 | 31 |
| LQF200805 | 31 |
| LQF200806 | 31 |
| LQF200808 | 31 |
| LQF201004 | 31 |
| LQF201005 | 31 |
| LQF201006 | 31 |
| LQF201008 | 31 |
| LQF201204 | 31 |
| LQF201205 | 31 |
| LQF201206 | 31 |
| LQF201208 | 31 |
| LQF220404 | 31 |
| LQF220504 | 31 |
| LQF220505 | 31 |
| LQF220604 | 31 |
| LQF220605 | 31 |
| LQF220606 | 31 |
| LQF220804 | 31 |
| LQF220805 | 31 |
| LQF220806 | 31 |
| LQF220808 | 31 |
| LQF221004 | 31 |
| LQF221005 | 31 |
| LQF221006 | 31 |
| LQF221008 | 31 |
| LQF221204 | 31 |
| LQF221205 | 31 |
| LQF221206 | 31 |
| LQF221208 | 31 |
| LQGF0404 | 49 |
| LQGF0504 | 49 |
| LQGF0505 | 49 |
| LQGF0604 | 49 |
| LQGF0605 | 49 |
| LQGF0606 | 49 |
| LQGF0804 | 49 |
| LQGF0805 | 49 |
| LQGF0806 | 49 |
| LQGF0808 | 49 |
| LQGF1004 | 49 |
| LQGF1005 | 49 |
| LQGF1006 | 49 |
| LQGF1008 | 49 |
| LQGF1204 | 49 |
| LQGF1205 | 49 |
| LQGF1206 | 49 |
| LQGF1208 | 49 |
| LQGF0404 | 47 |
| LQGF0504 | 47 |
| LQGF0505 | 47 |
| LQGF0505 | 47 |

| Catalogue No. | Page Number |
|---------------|-------------|
| LQGG0604 | 47 |
| LQGG0605 | 47 |
| LQGG0606 | 47 |
| LQGG0606/GA | 51 |
| LQGG0804 | 47 |
| LQGG0805 | 47 |
| LQGG0806 | 47 |
| LQGG0806/GA | 51 |
| LQGG0808 | 47 |
| LQGG0808/GA | 51 |
| LQGG1004 | 47 |
| LQGG1005 | 47 |
| LQGG1006 | 47 |
| LQGG1006/GA | 51 |
| LQGG1008 | 47 |
| LQGG1008/GA | 51 |
| LQGG1204 | 47 |
| LQGG1205 | 47 |
| LQGG1206 | 47 |
| LQGG1206/GA | 51 |
| LQGG1208 | 47 |
| LQGG1208/GA | 51 |
| LQGN | 77 |
| LQGP0404 | 49 |
| LQGP0404/A6 | 49 |
| LQGP0404/B3 | 49 |
| LQGP0504 | 49 |
| LQGP0504/A6 | 49 |
| LQGP0504/B3 | 49 |
| LQGP0505 | 49 |
| LQGP0505/A6 | 49 |
| LQGP0505/B3 | 49 |
| LQGP0604 | 49 |
| LQGP0604/A6 | 49 |
| LQGP0604/B3 | 49 |
| LQGP0605 | 49 |
| LQGP0605/A6 | 49 |
| LQGP0605/B3 | 49 |
| LQGP0606 | 49 |
| LQGP0606/A6 | 49 |
| LQGP0606/B3 | 49 |
| LQGP0804 | 49 |
| LQGP0804/A6 | 49 |
| LQGP0804/B3 | 49 |
| LQGP0805 | 49 |
| LQGP0805/A6 | 49 |
| LQGP0805/B3 | 49 |
| LQGP0806 | 49 |
| LQGP0806/A6 | 49 |
| LQGP0806/B3 | 49 |
| LQGP0808 | 49 |
| LQGP0808/A6 | 49 |
| LQGP0808/B3 | 49 |
| LQGP1004 | 49 |
| LQGP1004/A6 | 49 |
| LQGP1004/B3 | 49 |



| Catalogue No. | Page Number |
|---------------|-------------|
| LQGP1005 | 49 |
| LQGP1005/A6 | 49 |
| LQGP1005/B3 | 49 |
| LQGP1006 | 49 |
| LQGP1006/A6 | 49 |
| LQGP1006/B3 | 49 |
| LQGP1008 | 49 |
| LQGP1008/A6 | 49 |
| LQGP1008/B3 | 49 |
| LQGP1204 | 49 |
| LQGP1204/A6 | 49 |
| LQGP1204/B3 | 49 |
| LQGP1205 | 49 |
| LQGP1205/A6 | 49 |
| LQGP1205/B3 | 49 |
| LQGP1206 | 49 |
| LQGP1206/A6 | 49 |
| LQGP1206/B3 | 49 |
| LQGP1208 | 49 |
| LQGP1208/A6 | 49 |
| LQGP1208/B3 | 49 |
| LQHE1305 | 67 |
| LQHE1306 | 67 |
| LQHE1308 | 67 |
| LQHE1505 | 67 |
| LQHE1506 | 67 |
| LQHE1508 | 67 |
| LQHE1705 | 67 |
| LQHE1706 | 67 |
| LQHE1708 | 67 |
| LQHE1905 | 67 |
| LQHE1906 | 67 |
| LQHE1908 | 67 |
| LQHE2105 | 67 |
| LQHE2106 | 67 |
| LQHE2108 | 67 |
| LQLA7S | 76 |
| LQLF | 76 |
| LQLI3D | 76 |
| LQLI8T | 76 |
| LQLKB03 | 75 |
| LQLKB05 | 75 |
| LQLL | 73 |
| LQLPAD | 76 |
| LQLS/92268 | 76 |
| LQMF1401 | 53 |
| LQMF1601 | 53 |
| LQMF1801 | 53 |
| LQMF2001 | 53 |
| LQMF2201 | 53 |
| LQMP1404 | 53 |
| LQMP1405 | 53 |
| LQMP1406 | 53 |
| LQMP1408 | 53 |
| LQMP1410 | 53 |
| LQMP1412 | 53 |

| Catalogue No. | Page Number |
|---------------|-------------|
| LQMP1604 | 53 |
| LQMP1605 | 53 |
| LQMP1606 | 53 |
| LQMP1608 | 53 |
| LQMP1610 | 53 |
| LQMP1612 | 53 |
| LQMP1804 | 53 |
| LQMP1805 | 53 |
| LQMP1806 | 53 |
| LQMP1808 | 53 |
| LQMP1810 | 53 |
| LQMP1812 | 53 |
| LQMP2004 | 53 |
| LQMP2005 | 53 |
| LQMP2006 | 53 |
| LQMP2008 | 53 |
| LQMP2010 | 53 |
| LQMP2012 | 53 |
| LQMP2204 | 53 |
| LQMP2205 | 53 |
| LQMP2206 | 53 |
| LQMP2208 | 53 |
| LQMP2210 | 53 |
| LQMP2212 | 53 |
| LQMS | - |
| LQP0104 | 43 |
| LQP0105 | 43 |
| LQP0106 | 43 |
| LQP0108 | 43 |
| LQP0110 | 43 |
| LQP0112 | 43 |
| LQP0204 | 43 |
| LQP0205 | 43 |
| LQP0206 | 43 |
| LQP0208 | 43 |
| LQP0210 | 43 |
| LQP0212 | 43 |
| LQPB010404 | 41 |
| LQPB010405 | 41 |
| LQPB010406 | 41 |
| LQPB010408 | 41 |
| LQPB010504 | 41 |
| LQPB010505 | 41 |
| LQPB010506 | 41 |
| LQPB010508 | 41 |
| LQPB010604 | 41 |
| LQPB010605 | 41 |
| LQPB010606 | 41 |
| LQPB010608 | 41 |
| LQPB010804 | 41 |
| LQPB010805 | 41 |
| LQPB010806 | 41 |
| LQPB010808 | 41 |
| LQPB011004 | 41 |
| LQPB011005 | 41 |
| LQPB011006 | 41 |

| Catalogue No. | Page Number |
|---------------|-------------|
| LQPB011008 | 41 |
| LQPB011204 | 41 |
| LQPB011205 | 41 |
| LQPB011206 | 41 |
| LQPB011208 | 41 |
| LQPC0104 | 45 |
| LQPC0105 | 45 |
| LQPC0106 | 45 |
| LQPC0108 | 45 |
| LQPC0110 | 45 |
| LQPC0112 | 45 |
| LQPC0204 | 45 |
| LQPC0205 | 45 |
| LQPC0206 | 45 |
| LQPC0208 | 45 |
| LQPC0210 | 45 |
| LQPC0212 | 45 |
| LQPF | 45 |
| LQPH04/35 | 71 |
| LQPH04/80 | 71 |
| LQPH05/35 | 71 |
| LQPH05/80 | 71 |
| LQPH06/35 | 71 |
| LQPH06/80 | 71 |
| LQPS02 | 43 |
| LQRD04 | 65 |
| LQRD05 | 65 |
| LQRD06 | 65 |
| LQRD08 | 65 |
| LQRF06 | 55 |
| LQRF06/SML | 57 |
| LQRF08 | 55 |
| LQRF08/SML | 57 |
| LQRH05 | 67 |
| LQRH06 | 67 |
| LQRH08 | 67 |
| LQRM01 | 63 |
| LQRM02 | 63 |
| LQRM03 | 63 |
| LQRM04 | 63 |
| LQRM05 | 63 |
| LQRM06 | 63 |
| LQRM07 | 63 |
| LQRM08 | 63 |
| LQRM09 | 63 |
| LQRM10 | 63 |
| LQRM11 | 63 |
| LQRM12 | 63 |
| LQRM13 | 63 |
| LQRM14 | 63 |
| LQRM15 | 63 |
| LQRM16 | 63 |
| LQRM17 | 63 |
| LQRM18 | 63 |
| LQRM19 | 63 |
| LQRM20 | 63 |

| Catalogue No. | Page Number |
|---------------|-------------|
| LQRM21 | 63 |
| LQRP04/25 | 65 |
| LQRP04/50 | 65 |
| LQRP05/25 | 65 |
| LQRP05/50 | 65 |
| LQRP06/25 | 65 |
| LQRP06/50 | 65 |
| LQRP08/25 | 65 |
| LQRP08/50 | 65 |
| LQRR12U | 61 |
| LQRR12U/800 | 61 |
| LQRR15U | 61 |
| LQRR15U/800 | 61 |
| LQRR18U | 61 |
| LQRR18U/800 | 61 |
| LQRR21U | 61 |
| LQRR21U/800 | 61 |
| LQRR24U | 61 |
| LQRR24U/800 | 61 |
| LQRR27U | 61 |
| LQRR27U/800 | 61 |
| LQRR29U | 61 |
| LQRR29U/800 | 61 |
| LQRR34U | 61 |
| LQRR34U/800 | 61 |
| LQRR38U | 61 |
| LQRR38U/800 | 61 |
| LQRR3U | 61 |
| LQRR3U/800 | 61 |
| LQRR42U | 61 |
| LQRR42U/800 | 61 |
| LQRR47U | 61 |
| LQRR47U/800 | 61 |
| LQRR6U | 61 |
| LQRR6U/800 | 61 |
| LQRR9U | 61 |
| LQRR9U/800 | 61 |
| LQRV13 | 67 |
| LQRV15 | 67 |
| LQRV17 | 67 |
| LQRV19 | 67 |
| LQRV21 | 67 |
| LQSC03U08 | 59 |
| LQSC06U08 | 59 |
| LQSC09U08 | 59 |
| LQSC12U08 | 59 |
| LQSC15U08 | 59 |
| LQSC18U08 | 59 |
| LQSC22U08 | 59 |
| LQSC27U08 | 59 |
| LQSC31U08 | 59 |
| LQSC36U08 | 59 |
| LQSC40U08 | 59 |
| LQSC45U08 | 59 |
| LQSF03RU/SML | 57 |
| LQSF06RU/SML | 57 |

| Catalogue No. | Page Number |
|---------------|-------------|
| LQSF09RU/SML | 57 |
| LQSF12RU/SML | 57 |
| LQSF15RU/SML | 57 |
| LQSF18RU/SML | 57 |
| LQSF22RU | 55 |
| LQSF27RU | 55 |
| LQSF31RU | 55 |
| LQSF36RU | 55 |
| LQSF40RU | 55 |
| LQSF45RU | 55 |
| LQSS12U08 | 59 |
| LQSS15U08 | 59 |
| LQSS18U08 | 59 |
| LQSS22U08 | 59 |
| LQSS27U08 | 59 |
| LQSS31U08 | 59 |
| LQSS33U08 | 59 |
| LQSS36U08 | 59 |
| LQSS3U08 | 59 |
| LQSS45U08 | 59 |
| LQSS6U08 | 59 |
| LQSS9U08 | 59 |
| LQTF0404 | 39 |
| LQTF0405 | 39 |
| LQTF0406 | 39 |
| LQTF0408 | 39 |
| LQTF0410 | 39 |
| LQTF0412 | 39 |
| LQTF0504 | 39 |
| LQTF0505 | 39 |
| LQTF0506 | 39 |
| LQTF0508 | 39 |
| LQTF0510 | 39 |
| LQTF0512 | 39 |
| LQTF0604 | 39 |
| LQTF0605 | 39 |
| LQTF0606 | 39 |
| LQTF0608 | 39 |
| LQTF0610 | 39 |
| LQTF0612 | 39 |
| LQTF0804 | 39 |
| LQTF0805 | 39 |
| LQTF0806 | 39 |
| LQTF0808 | 39 |
| LQTF0810 | 39 |
| LQTF0812 | 39 |
| LQTF1004 | 39 |
| LQTF1005 | 39 |
| LQTF1006 | 39 |
| LQTF1008 | 39 |
| LQTF1204 | 39 |
| LQTF1205 | 39 |
| LQTF1206 | 39 |
| LQTF1208 | 39 |
| LQTV0404 | 39 |
| LQTV0405 | 39 |

| Catalogue No. | Page Number |
|---------------|-------------|
| LQTV0406 | 39 |
| LQTV0408 | 39 |
| LQTV0410 | 39 |
| LQTV0412 | 39 |
| LQTV0504 | 39 |
| LQTV0505 | 39 |
| LQTV0506 | 39 |
| LQTV0508 | 39 |
| LQTV0510 | 39 |
| LQTV0512 | 39 |
| LQTV0604 | 39 |
| LQTV0605 | 39 |
| LQTV0606 | 39 |
| LQTV0608 | 39 |
| LQTV0610 | 39 |
| LQTV0612 | 39 |
| LQTV0804 | 39 |
| LQTV0805 | 39 |
| LQTV0806 | 39 |
| LQTV0808 | 39 |
| LQTV0810 | 39 |
| LQTV0812 | 39 |
| LQTV1004 | 39 |
| LQTV1005 | 39 |
| LQTV1006 | 39 |
| LQTV1008 | 39 |
| LQTV1204 | 39 |
| LQTV1205 | 39 |
| LQTV1206 | 39 |
| LQTV1208 | 39 |
| LQVS1404 | 69 |
| LQVS1405 | 69 |
| LQVS1406 | 69 |
| LQVS1408 | 69 |
| LQVS1604 | 69 |
| LQVS1605 | 69 |
| LQVS1606 | 69 |
| LQVS1608 | 69 |
| LQVS1804 | 69 |
| LQVS1805 | 69 |
| LQVS1806 | 69 |
| LQVS1808 | 69 |
| LQVS2004 | 69 |
| LQVS2005 | 69 |
| LQVS2006 | 69 |
| LQVS2008 | 69 |
| LQVS2204 | 69 |
| LQVS2205 | 69 |
| LQVS2206 | 69 |
| LQVS2208 | 69 |
| TX-AAFFH12 | 81 |
| TX-AAFFH25 | 81 |
| TX-AAFFH35 | 81 |
| TX-EGO04BM1B | 80 |
| TX-EGO06BM1B | 80 |
| TX-EGO10BM1B | 80 |

| Catalogue No. | Page Number |
|---------------|-------------|
| TX-EGO16BM1B | 80 |
| TX-EGO20BM1B | 80 |
| TX-FAN12BN0B | 81 |
| TX-FAN25BN0B | 81 |
| TX-FAN28BN0B | 81 |
| TX-FAN35BN0B | 81 |
| TX-FIL12XN0B | 81 |
| TX-FIL25XN0B | 81 |
| TX-FIL35XN0B | 81 |
| TX-WID10BL0C | 83 |
| TX-WID15BL0C | 83 |
| TX-WID20BL0C | 83 |
| TX-WID30BL0C | 83 |
| TX-WID40BL0C | 83 |
| TX-WID35BL0T | 83 |
| TX-WID55BL0T | 83 |
| TX-WID05ZX0P | 83 |
| TX-WID10ZX0P | 83 |
| TX-WID15ZX0P | 83 |
| TX-WID01ZX0X | 83 |
| TX-WID02ZX0X | 83 |
| TX-WID03ZX0X | 83 |
| TX-WID05ZX0X | 83 |
| TX-WID10ZX0X | 83 |
| TX-WID15ZX0X | 83 |

Head Office

51 Stradbroke Street Heathwood QLD 4110 Australia
PO Box 1151 Browns Plains BC QLD 4118 Australia
T: +61 7 3714 1000

QLD Office – Sales & Warehouse

51 Stradbroke Street Heathwood QLD 4110 Australia
PO Box 1151 Browns Plains BC QLD 4118 Australia
T: +61 7 3714 1111

North QLD Office – Sales & Warehouse

Unit 4 / 780 Ingham Road Mount Louisa QLD 4814 Australia
PO Box 7615 Garbutt QLD 4815 Australia
T: +61 7 4727 1900

NSW & ACT Office – Sales & Warehouse

7 Metters Place Wetherill Park NSW 2164 Australia
T: +61 2 9915 9555

Newcastle – Distribution

Ross Joice Agencies Pty Ltd
109-111 Broadmeadow Road Broadmeadow NSW 2292 Australia
T: +61 2 4961 4433

VIC & TAS Office – Sales & Warehouse

50-52 Sunmore Close Heatherton VIC 3202 Australia
T: +61 3 9552 0552

SA & NT Office – Sales & Warehouse

505 Grand Junction Way Wingfield SA 5013 Australia
T: +61 8 8417 6222

WA Office – Sales & Warehouse

6 Montgomery Way Malaga WA 6090 Australia
T: +61 8 6310 4777

National Sales

T: 1300 Enclosures (1300 362 567)

E: sales@brenclosures.com.au

brenclosures.com.au

