



**B&R Enclosures**

# **Sloping Roof Enclosures**

**[brenclosures.com.au](http://brenclosures.com.au)**

## **DISCLAIMER**

This brochure has been prepared specifically for customers of the publisher and as a general reference only. B&R Enclosures Pty Ltd engages in a policy of continuous development and improvement of its products and reserves the right to alter, add and/or delete specifications of any products or equipment and change of manufacturing location without notice and without incurring liability. The publisher and any party associated with the production of this catalogue do not accept any responsibility or liability whatsoever (to the extent permitted by law) for any inaccuracy, error, misinformation or misleading statements, whether negligently caused or otherwise, contained in this publication. This publication is protected by copyright and may not be reproduced or copied (using any method of reproduction or copying), sold, transmitted, circulated or otherwise forwarded to third parties, in whole or part, without prior written consent of the author. All registered trademarks and product names appearing herein are the property of the respective owners.

# TABLE OF CONTENTS

## Company Information

About B&R Enclosures.....	4
Our Locations.....	5
Our Capabilities.....	6
Our Supply Strategies.....	6
Customisable Project Services.....	7
B&R Engagement Loop.....	8
Our Customers.....	9
Accreditations and Compliance.....	9

## Product Solutions

Incline SR.....	10
Pilbara SP - Zinc Coated Steel.....	12
Pilbara SP - 316 Stainless Steel.....	14
Pilbara SP w/ Sunshades - Zinc Coated Steel.....	16
Pilbara SP w/ Sunshades - 316 Stainless Steel.....	18
Hedland PH.....	20
Lambert LB.....	22
Finucane FI.....	24
Bowen Series.....	26
Bowen Series w/Sunshades.....	28
Lock Options.....	30
Enclosure LED Lighting.....	32
Case Study - Dampier Salt Mine.....	34

# About B&R Enclosures

Since 1955, B&R Enclosures has built a reputation for excellence in design and production, culminating in our position as Australia's largest enclosure manufacturer and electrical equipment integration specialist.

As an independent, 100% Australian family owned and operated business, we champion the virtues of quality, innovation, service and value. The emphasis on these aspects has sustained B&R's growth leading to Australian manufacturing and distribution facilities in Brisbane, Adelaide and Sydney and internationally in China and Saudi Arabia.

B&R's knowledge, precision, quality and unwavering commitment to creating repeatable solutions for our clients supports our position as preferred manufacturer for many private, government and commercial projects in some of Australia's harshest environments.

Our unrivalled industry and application knowledge puts us in a unique position to meet the needs of our clients. The business encompasses four divisions: Industrial, Data ICT, Hazardous Areas and Residential Commercial. Each division focuses on the unique needs of different market segments.

B&R regularly works with partners to provide integrated solutions for major infrastructure and mining projects. These include 'plug and play' switchboard solutions for Rio Tinto's Oyu Tolgoi mine, control stations for Ichthys on-shore LNG processing plant and Australia's NBN Rollout. Ongoing relationships and collaboration are results of our ability to articulate the customer's problem and combine previous experience and knowledge with compliance to local standards.

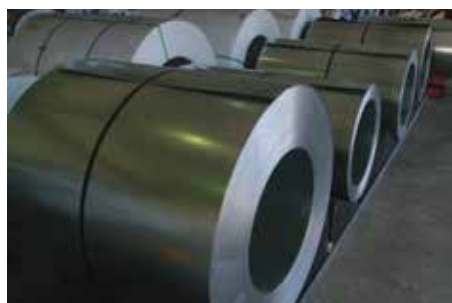
Electrical integration involves the installation, commissioning and testing of 3rd party components and we are adept at managing the acquisition and storage of technical components through a global supply chain that is structured, customised, agile, repeatable and results-based.

Project management and execution is effectively managed at B&R by the co-location of design, supervision, supply coordination and quality control along with manufacturing. Our incorporation of Industry 4.0 delivers real-time data to our project management teams, built around the requirements of individual projects.

Extensive investment in research and development includes an environmental testing facility focussing on climate control to support cooling solutions for equipment exposed to high ambient temperatures and solar radiation.

When utilised as designed, B&R's enclosures are built to out-perform against expectations.

Contact us today to find out how B&R can deliver reliable and trusted outcomes for your project.





# Our Locations



B&R Enclosures have purpose-built manufacturing facilities in three locations across Australia, as well as strategic locations in the Gulf and China.



## **Australia**

### ***Brisbane (QLD)***

Global head office, manufacturing, sales and warehousing

### ***Sydney, NSW***

Hazardous manufacturing, sales and warehousing

### ***Adelaide, SA***

Manufacturing, sales and warehousing

### ***Townsville (QLD), Newcastle (NSW), Melbourne (VIC), Perth (WA)***

Sales and warehousing

### ***Launceston (TAS), Darwin (NT)***

Distribution

## **New Zealand**

### ***Auckland***

Sales and warehousing

## **Saudi Arabia**

### ***Dammam***

Hazardous manufacturing, sales and warehousing

## **China**

### ***Suzhou***

Manufacturing, sales and warehousing

# Our Capabilities

Over the years as the company has grown, we have invested significantly in machinery, technology and testing to be able to provide capabilities which our customers benefit from in every order they place. Our current capabilities include:

- Purpose-built Australian facilities in Brisbane (18,000m<sup>2</sup>), Adelaide (4,000m<sup>2</sup>) and Sydney (1,874m<sup>2</sup>), providing local labour and logistics
- Complete in-house design and engineering services to assist with creating custom solutions
- End-to-end manufacturing, from coiled steel raw material to commissioning the end product, we provide efficiency and complete quality control
- Variety of substrates and high quality finishes including stainless steel, powder coated and zinc to suit even the most demanding application
- Modern machinery for any design to be formed and fabricated including automated sheet metal panel benders, punching and shearing centres, electrical equipment integration lines, press brakes, powder coat lines, fabrication cells and assembly lines
- Fully documented process available with full configuration management to support a detailed documentation experience
- Complete project management including supply chain, warehousing and logistics
- In-house and external testing for hazardous area electrical equipment and impact, IP, type testing, static load, seismic, wind load, salt spray, line inspection, shock, vibration, EMC and MIL-STD
- Continuous improvement with our environmental testing facility for ongoing research and development
- Existing supply agreements with leading OEMs and major raw products distributors supporting loyal and valued relationships.

# Our Supply Strategies



## Made to Stock

These products are available ex stock from all our sales & warehousing branches. Contact your local sales representative to discuss requirements.



## Assembled-to-Order

These products are assembled to order upon receipt of a customer order. All components required to build an ATO item cannot be sold separately and must form part of a kit. Standard lead time is 4-6 weeks from date of order.



## Made to Order

These products are manufactured according to a customer's specification. They are marked in our catalogues as "▲ Available on request" and have a standard lead time of 2-3 weeks.



## Engineered-to-Order

These products are a custom designed product that is 100% fit-for-purpose, delivered on-site and ready for installation. Our design & engineering team can customise an enclosure to suit the application requirements. Contact us for more information.

# Customisable Project Services



## Collaboration

- Convert customer requirements to product build specifications
- Work to customer delivery schedule
- Initiate procurement or consignment of stock allocations
- Supply of equipment configuration



## Complete Project Management

- One point of contact
- Responsive communication channels
- DIFOTIS - Delivered In Full On Time In Specification
- Accountability for the delivery of our commitment to customers

## Electrical & Equipment Integration

- Wiring and equipment installed to exact requirements
- Management of free issue, consigned and/or B&R sourced components and equipment
- Stock reporting and job allocation



## Testing & Reporting To Customer Specifications

- Digital reports of product testing and acceptance
- Serialised codes to customer requirements, digital signature, component traceability and unique identifiers
- Real time quality assurance authorisation, approval and confirmation

## Customer Specific Logistics

- Storage and warehouse management
- Site delivery logistics
- Option for removal of product packaging after installation



# The B&R Engagement Loop (Project Services)

In order to engage successfully with our project customer's, B&R representatives follow a structured service plan.

We take our responsibility seriously, and pride ourselves on the collaborative and open relationships we undertake with our project customers. This ensures we understand and provide value as our customer's needs vary greatly across the different types of project application and technical requirements.

1. Our first action before we reach out or after a customer had reached out to us, is to **INVESTIGATE**. This includes researching the customer/ project and any other relevant stakeholders.
2. The second action of **UNDERSTAND** is when we speak to the customer at length about their issue and challenges for current and future projects. From these discussions we can begin to see how our product solutions can solve the customer's issues and challenges.
3. We take our newly acquired customer knowledge back to our in-house design, engineering and estimating teams for our third action to **SCOPE** the work, and prepare quotes and drawings as required.
4. Once we have created the tailored offer for the customer we process any variations which might be needed before our fourth action of **AGREE**. With everything signed off we move into manufacturing and equipment integration.
5. Once the product solution is ready our fifth action of **DELIVER** takes place. We make sure the goods are shipped to site according to agreed upon timelines.
6. To learn from our experience and confirm our service level we take an **EVALUATION** action. This is when we reflect on the job we've completed and depending on the size and extent of the order we will seek customer feedback as well.





# Our Customers



# BHP

# RioTinto



## Accreditations & Compliance

At B&R, quality and value are just the beginning. We strive to deliver quality products developed and manufactured by a team dedicated to excellence, backed by standards, approvals and industry accreditations.



ISO 9001:2015

Every B&R Enclosures manufacturing facility is externally audited to ensure that the quality of our products meet the stringent ISO9001 standards. B&R's products are carefully inspected at the end of lines during the manufacturing process to ensure that the enclosures will withstand their intended environment and application.



ISO 14001:2015

Sets out the criteria for an environmental management system. It maps out a framework that a company or organisation can follow to set up an effective environmental management system.



ISO 45001:2018

An externally audited Occupational Health and Safety Management System.



RoHS

The RoHS directive aims to restrict certain dangerous substances commonly used in electronic equipment.



ASSDA

The Australian Stainless Steel Development Association provides comprehensive technical information on stainless steel. This includes information for users, equipment manufacturers and stainless steel suppliers.

# Incline SR

## Mining and Industrial Enclosures



- Designed for rugged industrial applications including local control stations, mini control consoles or motor isolators.
- Suitable for mine sites and sugar mills.
- 30° sloping roof and 20mm overhang to prevent build up of solids.
- Specially designed gutter system.
- Conformity, Approvals:
  - Lloyds Register #06/10007 (E2)
  - Region D wind rated to AS1170.2-2002: Structural design actions - Wind actions
  - Manufactured from 1.5mm thick 316 stainless steel.
  - N4 surface finish or powdercoated X15 orange.

Comes standard with:

- 2mm steel mounting pan powdercoated white
- Stainless steel gland plate
- Mounting flanges top & bottom
- Stainless steel lock with 7mm square stainless steel insert (NI020/S)
- Door rails
- Earth strap kit



### ORDERING GUIDE

Dimensions (mm)

Part Number		External			Internal	Mounting Pan		Gland Opening		Mounting Centres		Weight (kg)	No. of Locks	
Standard	X15 Orange	Height (A)	Width (B)	Depth (C)	Total Height (D)**	Usable Depth*(E)	Height (F)	Width (G)	Width (H)	Depth (I)	Height (J)			Width (K)
SR03021/S	SR03021/SRO <sup>▲</sup>	300	200	150	507	140	250	150	175	70	477	100	5.5	1
SR04031/S	SR04031/SRO <sup>▲</sup>	400	300	150	607	140	350	250	175	70	577	200	9.0	1
SR03042/S■	SR03042/SRO <sup>▲</sup>	300	400	200	536	190	250	350	250	120	506	300	10.0	1
SR04042/S■	SR04042/SRO <sup>▲</sup>	400	400	200	636	190	350	350	250	120	606	300	13.0	1
SR06042/S■	SR06042/SRO <sup>▲</sup>	600	400	200	836	190	550	350	250	120	806	300	17.0	2
SR04062/S■	SR04062/SRO <sup>▲</sup>	400	600	200	636	190	350	550	440	120	606	500	18.0	1
SR08062/S■	SR08062/SRO <sup>▲</sup>	800	600	200	1036	190	750	550	440	120	1006	500	31.0	2
SR10062/S■	SR10062/SRO <sup>▲</sup>	1000	600	200	1236	190	950	550	440	120	1206	500	37.0	2
SR04063/S■	SR04063/SRO <sup>▲</sup>	400	600	300	694	290	350	550	440	120	663	500	21.0	1
SR06063/S■	SR06063/SRO <sup>▲</sup>	600	600	300	894	290	550	550	440	120	863	500	28.0	2
SR08063/S <sup>▲</sup>	SR08063/SRO <sup>▲▲</sup>	800	600	300	1094	290	750	550	440	120	1063	500	35.0	2

<sup>▲</sup> Available on request

\* Mounting pan to inside of door

\*\* Includes from bottom of enclosures to top mounting flange

■ Includes vertical door rails

<sup>▲</sup> Includes horizontal and vertical door rails



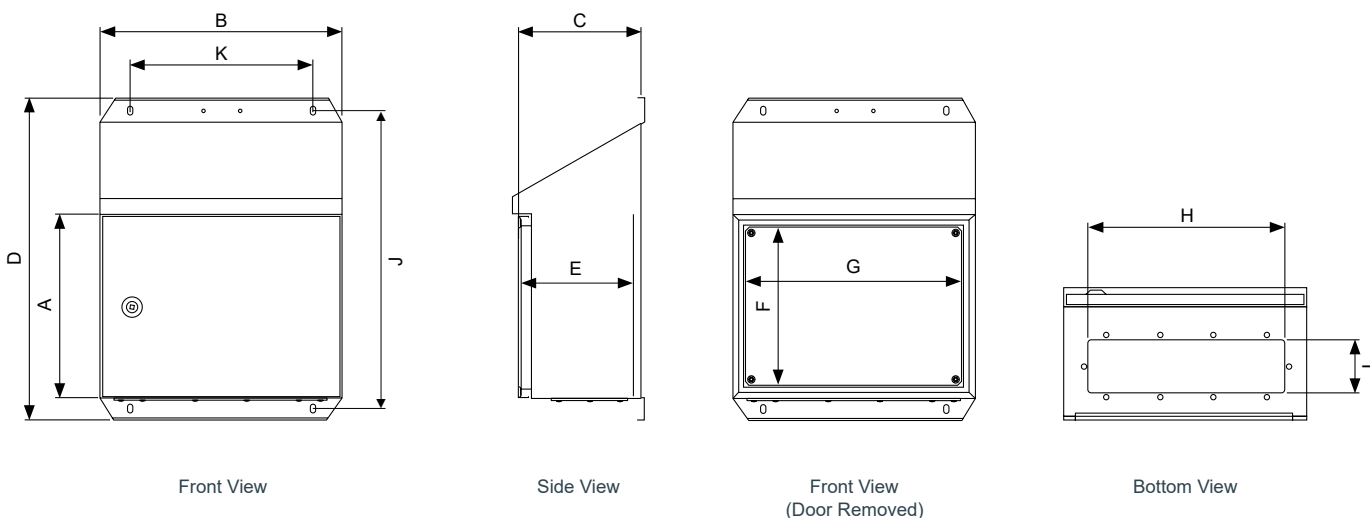
See **Page 30** for a range of lock options available for the Incline SR range.

## ACCESSORIES

Product	Description	Part Number	Dimensions (mm)			SR03021/S (/SRO)	SR04031/S (/SRO)	SR03042/S (/SRO)	SR04042/S (/SRO)	SR06042/S (/SRO)	SR04062/S (/SRO)	SR08062/S (/SRO)	SR10062/S (/SRO)	SR04063/S (/SRO)	SR06063/S (/SRO)	SR08063/S (/SRO)	
			Height	Width	Thickness												
Mounting pan	Insulated	SRIMP032	250	150	6	•											
		SRIMP034	250	350	6		•	•									
		SRIMP044	350	350	6				•								
		SRIMP046 <sup>▲</sup>	350	550	6						•				•		
		SRIMP064	550	350	6					•							
		SRIMP066	550	550	6											•	
		SRIMP086 <sup>▲</sup>	750	550	6							•					•
		SRIMP106 <sup>▲</sup>	950	550	6									•			
Gland plate	Brass	SRBGP3/1	195	100	3	•	•										
		SRBGP3/2	290	160	3			•	•	•							
		SRBGP3/3	480	160	3						•	•	•	•	•	•	
		SRBGP6/1	195	100	6	•	•										
		SRBGP6/2	290	160	6			•	•	•							
	316 stainless steel	SRBGP6/3	480	160	6						•	•	•	•	•	•	
		SRS GP/1	195	100	1.5	•	•										
		SRS GP/2 <sup>▲</sup>	290	160	1.5			•	•	•							
		SRS GP/3 <sup>▲</sup>	480	160	1.5						•	•	•	•	•	•	
		SRAGP6/1	195	100	6	•	•										
Aluminium	SRAGP6/2	290	160	6			•	•	•								
	SRAGP6/3	480	160	6						•	•	•	•	•	•		
	IPVK/S	130	130	-	•	•	•	•	•	•	•	•	•	•	•		
External vent kit	316 stainless steel	IPVK/SRO <sup>▲</sup>	130	130	-	•	•	•	•	•	•	•	•	•	•		
		IPVK16/S <sup>▲</sup>	260	260	-	▲	▲	▲	▲	▲	▲	▲	▲	▲	▲	▲	
		IPVK16/SRO <sup>▲</sup>	260	260	-	▲	▲	▲	▲	▲	▲	▲	▲	▲	▲	▲	
Replacement hinge	Kit	NI/H	-	-	-	•	•	•	•	•	•	•	•	•			
Touch up paint (150g)	X15 Orange	TUP/P24	-	-	-	•	•	•	•	•	•	•	•	•			

▲ Fits door only  
▲ Available on request

## TECHNICAL DRAWING



# Pilbara SP – Zinc Coated Steel

## Mining and Industrial Enclosures



- Designed in sizes suitable for the most common mining, mineral processing and infrastructure projects.
- Typically used in local control stations, mini control consoles or motor isolation control stations.
- 30° sloping roof to prevent build up of water and solids.
- Lifting lugs conform to AS4991: *Lifting Devices*.
- One (1) tonne SWL on each lifting lug (excluding SP040425).
- Easy installation with top and bottom mounting flanges.
- Conformity, Approvals:
  - Lloyds Register #06/10007 (E2)
  - Region D wind rated to AS1170.2-2002: Structural design actions - Wind actions
  - Manufactured from 2mm thick zinc coated steel.
  - Powdercoated X15 Orange.

Comes standard with:

- 2mm steel mounting pan powdercoated white
- Chrome steel padlockable swing handle with LockSock®
- 3-point locking (excluding SP040425 range)
- 6mm aluminium gland plate
- Lifting lugs (excluding SP040425 range)

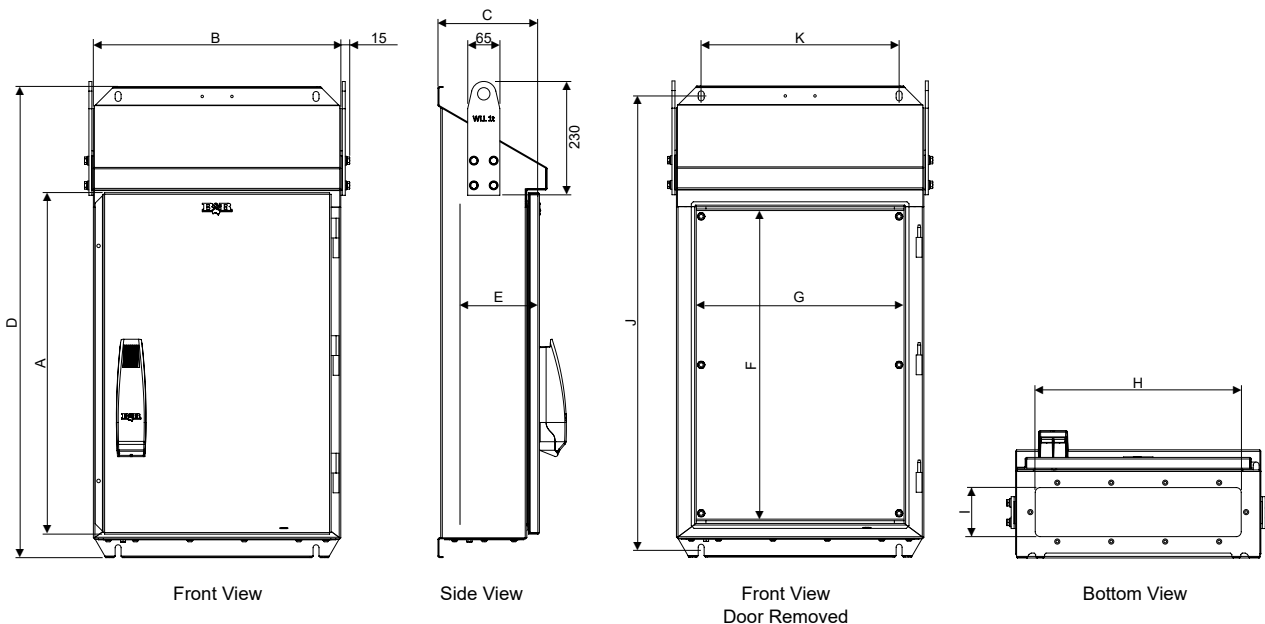


### ORDERING GUIDE

Part Number	Dimensions (mm)												Weight (kg)
	External				Internal	Mounting Pan		Gland Opening		Mounting Centres		Weight (kg)	
	Height (A)	Width (B)	Depth (C)	Total Height (D)	Usable Depth (E)*	Height (F)	Width (G)	Width (H)	Depth (I)	Height (J)	Width (K)		
SP070522	700	500	200	952	153	630	430	420	100	920	400	29.0	
SP100822	1000	800	200	1250	153	930	730	720	100	1218	700	57.9	
SP040425	400	400	250	679	203	330	330	320	140	641	300	16.3	
SP070535	700	500	350	1037	303	630	430	420	240	1005	400	38.0	
SP100840	1000	800	400	1365	353	930	730	640	210	1334	600	75.1	

\* Mounting pan to inside of door

### TECHNICAL DRAWINGS



# Pilbara SP – Zinc Coated Steel

Mining and Industrial Enclosures



## ACCESSORIES

Product	Description	Part Number	Dimensions (mm)			SP070522	SP100822	SP040425	SP070535	SP100840
			Height	Width	Depth					
Hinged escutcheon		SPHE0404	325	320	18			•		
		SPHE0705	625	420	18	•			•	
		SPHE1008	925	720	18		•			•
Brass		SPGB32/6	380	200	6			•		
		SPGB41/6 <sup>▲</sup>	480	160	6	•				
		SPGB43/6	480	300	6				•	
		SPGB71/6 <sup>▲</sup>	780	160	6		•			
		SPGB72/6 <sup>▲</sup>	700	270	6					•
		SPGA32/6	380	200	6			•		
Aluminium		SPGA41/6	480	160	6	•				
		SPGA43/6	480	300	6				•	
		SPGA71/6	780	160	6		•			
		SPGA72/6	700	270	6					•
Pintle hinge	316 stainless steel	SP/H/S	–	–	–	•	•	•	•	•
Retro-fit sunshades	Zinc coated steel (2mm) – powdercoated X15 Orange	SPSK040425 <sup>*▲</sup>	400	400	270			•		
		SPSK070522 <sup>▲</sup>	700	500	220	•				
		SPSK070535 <sup>▲</sup>	700	500	370				•	
		SPSK100822 <sup>▲</sup>	1000	800	220		•			
LED light kit	12V	BRLED300	–	300	–	•		•	•	
		BRLED500	–	500	–		•			
	24V	BRLED300/24	–	300	–	•		•	•	
		BRLED500/24	–	500	–					•
Light mounting kit	To suit LED light kits	IPLKB04 <sup>▲</sup>	–	–	–			•		
		SPLKB05 <sup>*▲</sup>	–	–	–	•			•	
		IPLKB08 <sup>▲</sup>	–	–	–		•			•

\* Does not come with a front sunshade.

<sup>▲</sup> Light not included, purchased separately

<sup>▲</sup> Available on request



### DID YOU KNOW?

Retrofitted sunshades provide extra protection against rising temperatures inside an enclosure. Also available are enclosures fitted with sunshades. See **Pages 16-19** for more information.



See **Pages 32-33** for more information about B&R's range of lighting solutions or contact your local sales representative to discuss your requirements.



# Pilbara SP – 316 Stainless Steel

Mining and Industrial Enclosures



- Designed in sizes suitable for the most common mining, mineral processing and infrastructure projects.
- Typically used in local control stations, mini control consoles or motor isolation control stations.
- 30° sloping roof to prevent build up of water and solids.
- Lifting lugs conform to AS4991: *Lifting Devices*.
- One (1) tonne SWL on each lifting lug (excluding SP040425).
- Easy installation with top and bottom mounting flanges.
- Conformity, Approvals:
  - Lloyds Register #06/10007 (E2)
  - Region D wind rated to AS1170.2-2002: Structural design actions - Wind actions
  - Manufactured from 1.5mm thick 316 stainless steel.
  - N4 surface finish or powdercoated X15 orange.

Comes standard with:

- 2mm steel mounting pan powdercoated white
- Stainless steel padlockable swing handle with LockSock®
- 3-point locking (excluding SP040425 range)
- 2mm stainless steel gland plate
- Lifting lugs (excluding SP040425 range)

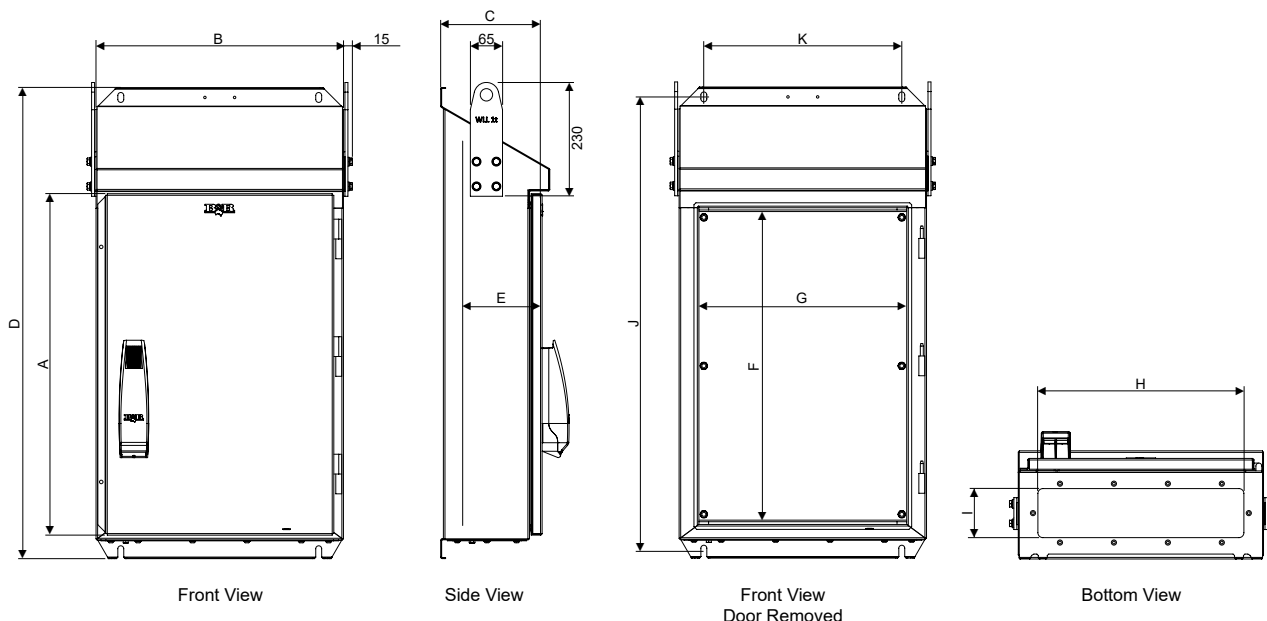


## ORDERING GUIDE

Part Number		Dimensions (mm)											
		External				Internal	Mounting Pan		Gland Opening		Mounting Centres		Weight (kg)
Height (A)	Width (B)	Depth (C)	Total Height (D)	Usable Depth (E)*	Height (F)	Width (G)	Width (H)	Depth (I)	Height (J)	Width (K)			
316SS (N4)	X15 Orange												
SP070522/S	SP070522/SRO	700	500	200	952	153	630	430	420	100	920	400	29.0
SP100822/S	SP100822/SRO	1000	800	200	1250	153	930	730	720	100	1218	700	57.9
SP040425/S	SP040425/SRO	400	400	250	679	203	330	330	320	140	641	300	16.3
SP070535/S	SP070535/SRO	700	500	350	1037	303	630	430	420	240	1005	400	38.0
SP100840/S	SP100840/SRO	1000	800	400	1365	353	930	730	640	210	1334	600	75.1

\* Mounting pan to inside of door

## TECHNICAL DRAWINGS



# Pilbara SP – 316 Stainless Steel

Mining and Industrial Enclosures



## ACCESSORIES

Product	Description	Part Number	Dimensions (mm)			SP070522/S	SP100822/S	SP040425/S	SP070535/S	SP100840/S
			Height	Width	Depth					
Hinged escutcheon		SPHE0404	325	320	18			•		
		SPHE0705	625	420	18	•			•	
		SPHE1008	925	720	18		•			•
Gland plate	Brass	SPGB32/6	380	200	6			•		
		SPGB41/6 <sup>▲</sup>	480	160	6	•				
		SPGB43/6	480	300	6					•
	Aluminium	SPGB71/6 <sup>▲</sup>	780	160	6		•			
		SPGB72/6 <sup>▲</sup>	700	270	6					•
		SPGA32/6	380	200	6			•		
Retro-fit sunshades*	316 stainless steel (1.5mm) - N4 finish	SPGA41/6	480	160	6	•				
		SPGA43/6	480	300	6					•
		SPGA71/6	780	160	6		•			
		SPGA72/6	700	270	6					•
		SPSK040425/S <sup>▲</sup>	400	400	270			•		
Retro-fit sunshades*	316 stainless steel (1.5mm) – X15 powdercoated	SPSK070522/S <sup>▲</sup>	700	500	220	•				
		SPSK070535/S <sup>▲</sup>	700	500	370					•
		SPSK100822/S <sup>▲</sup>	1000	800	220		•			
		SPSK100840/S <sup>▲</sup>	1000	800	400					•
		SPSK040425/SRO <sup>▲</sup>	400	400	270			•		
		SPSK070522/SRO <sup>▲</sup>	700	500	220	•				
LED light kit	12V	SPSK070535/SRO <sup>▲</sup>	700	500	370					•
		SPSK100822/SRO <sup>▲</sup>	1000	800	220		•			
	24V	SPSK100840/SRO <sup>▲</sup>	1000	800	400					•
		BRLED300	–	300	–	•	•	•		
Light mounting kit	To suit LED light kits	BRLED500	–	500	–		•			
		BRLED300/24	–	300	–	•	•	•		
		BRLED500/24	–	500	–				•	
		IPLKB04 <sup>▲</sup>	–	–	–			•		
		SPLKB05 <sup>▲</sup>	–	–	–	•		•		
		IPLKB08 <sup>▲</sup>	–	–	–		•		•	

\* Does not come with a front sunshade.  
<sup>▲</sup> Light not included, purchased separately  
<sup>▲</sup> Available on request



### DID YOU KNOW?

Retrofitted sunshades provide extra protection against rising temperatures inside an enclosure. Also available are enclosures fitted with sunshades. See **Pages 16-19** for more information.



See **Pages 32-33** for more information about B&R's range of lighting solutions or contact your local sales representative to discuss your requirements.

# Pilbara SP with Sunshades – Zinc Coated Steel

Mining and Industrial Enclosures



- Designed for the most common mining, mineral processing and infrastructure projects.
- used in local control stations, mini control consoles or motor isolation control stations.
- 30° sloping roof to prevent build up of water and solids.
- Lifting lugs conform to AS4991: *Lifting Devices*.
- One (1) tonne SWL on each lifting lug (excluding SP040425).
- Easy installation with top and bottom mounting flanges.
- Conformity, Approvals - Lloyds Register #06/10007 (E2)
- Region D wind rated to AS1170.2-2002: Structural design actions - Wind actions
- Powdercoated X15 orange and manufactured from
  - Enclosure - 2mm thick zinc coated steel
  - Sunshades - 1.6mm thick zinc coated steel.

Comes standard with:

- Sunshades – top, door and both sides
- Steel mounting pan powdercoated white
- Chrome steel padlockable swing handle with LockSock®
- 3-point locking (excluding SP040425 range)
- 6mm aluminium gland plate
- Lifting lugs on enclosures (excluding SP040425 range)

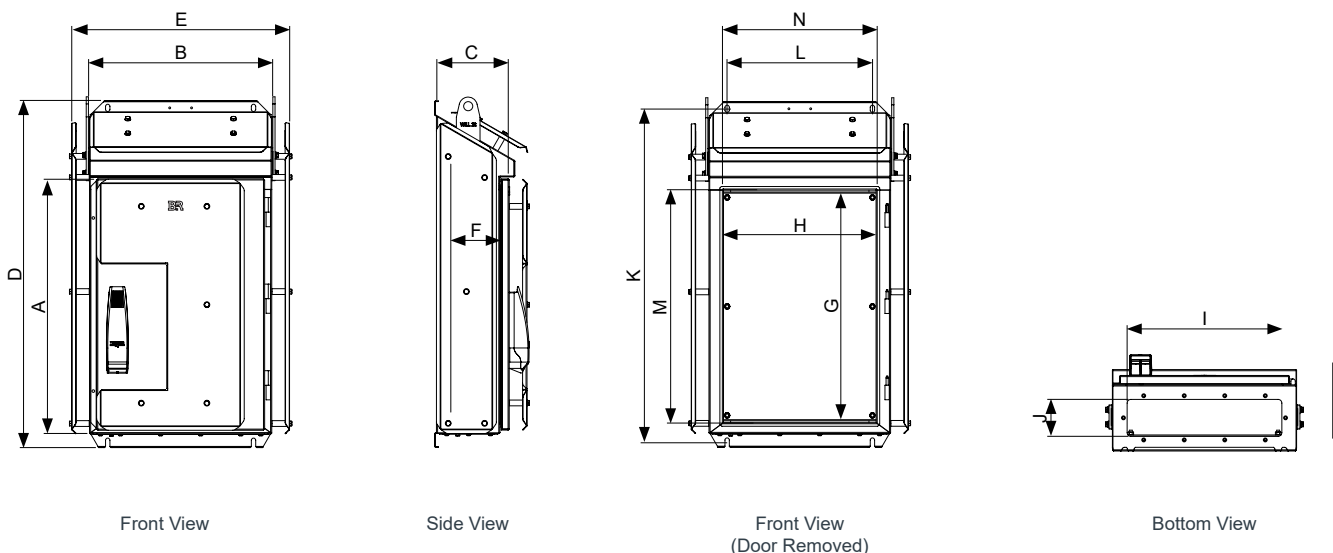


## ORDERING GUIDE

Part Number	Dimensions (mm)															Weight (kg)
	External			Internal			Mounting Pan		Gland Opening		Mounting Centres		Opening			
	Height (A)	Width (B)	Depth (C)	Total Height (D)	Total Width (E)	Usable Depth (F)*	Height (G)	Width (H)	Width (I)	Depth (J)	Height (K)	Width (L)	Height (M)	Width (N)		
SP070522/SK	700	500	200	952	600	153	630	430	420	100	920	400	640	420	105.0	
SP100822/SK	1000	800	200	1250	900	153	930	730	720	100	1218	700	940	720	150.0	
SP040425/SK#	400	400	250	679	500	203	330	330	320	140	641	300	340	320	60.0	
SP070535/SK	700	500	350	1037	600	303	630	430	420	240	1005	400	640	420	120.0	
SP100840/SK	1000	800	400	1365	900	353	930	730	640	210	1334	600	940	720	180.0	

\* From mounting pan to inside of door.  
# Does not come with a front sunshade.

## TECHNICAL DRAWINGS



# Pilbara SP with Sunshades – Zinc Coated Steel

Mining and Industrial Enclosures



## ACCESSORIES

Product	Description	Part Number	Dimensions (mm)			SP070522/SK	SP100822/SK	SP040425/SK	SP070535/SK	SP100840/SK
			Height	Width	Depth					
Hinged escutcheon	Zinc coated steel	SPHE0404	325	320	18			•		
		SPHE0705	625	420	18	•			•	
		SPHE1008	925	720	18		•			•
Gland plate	Brass	SPGB32/6	380	200	6			•		
		SPGB41/6 <sup>▲</sup>	480	160	6	•				
		SPGB43/6	480	300	6				•	
	Aluminium	SPGB71/6 <sup>▲</sup>	780	160	6		•			
		SPGB72/6 <sup>▲</sup>	700	270	6					•
		SPGA32/6	380	200	6			•		
Hinge	316 stainless steel	SPGA41/6	480	160	6	•				
		SPGA43/6	480	300	6				•	
		SPGA71/6	780	160	6		•			
		SPGA72/6	700	270	6					•
LED light kit	12V	SP/H/S	–	–	–	•	•	•	•	•
		BRLED300	–	300	–	•		•	•	
	24V	BRLED500	–	500	–		•			
		BRLED300/24	–	300	–	•		•	•	
Light mounting kit	To suit LED light kits	BRLED500/24	–	500	–					•
		IPLKB04 <sup>▲</sup>	–	–	–			•		
		SPLKB05 <sup>▲▲</sup>	–	–	–	•			•	
		IPLKB08 <sup>▲</sup>	–	–	–		•			•

<sup>▲</sup> Light not included, purchased separately

<sup>▲▲</sup> Available on request



See **Pages 32-33** for more information about B&R's range of lighting solutions or contact your local sales representative to discuss your requirements.

# Pilbara SP with Sunshades – 316 Stainless Steel

Mining and Industrial Enclosures



- Designed for the most common mining, mineral processing and infrastructure projects.
- used in local control stations, mini control consoles or motor isolation control stations.
- 30° sloping roof to prevent build up of water and solids.
- Lifting lugs conform to AS4991: Lifting Devices.
- One (1) tonne SWL on each lifting lug (excluding SP040425).
- Easy installation with top and bottom mounting flanges.
- Conformity, Approvals:
  - Lloyds Register #06/10007 (E2)
- Region D wind rated to AS1170.2-2002: Structural design actions - Wind actions
- Manufactured from 1.5mm thick 316 stainless steel.
- N4 surface finish or powdercoated X15 orange.

Comes standard with:

- Sunshades – top, door and both sides
- Steel mounting pan powdercoated white
- Stainless steel padlockable swing handle with LockSock®
- 3-point locking (excluding SP040425 range)
- 2mm stainless steel gland plate
- Lifting lugs on enclosures (excluding SP040425 range)

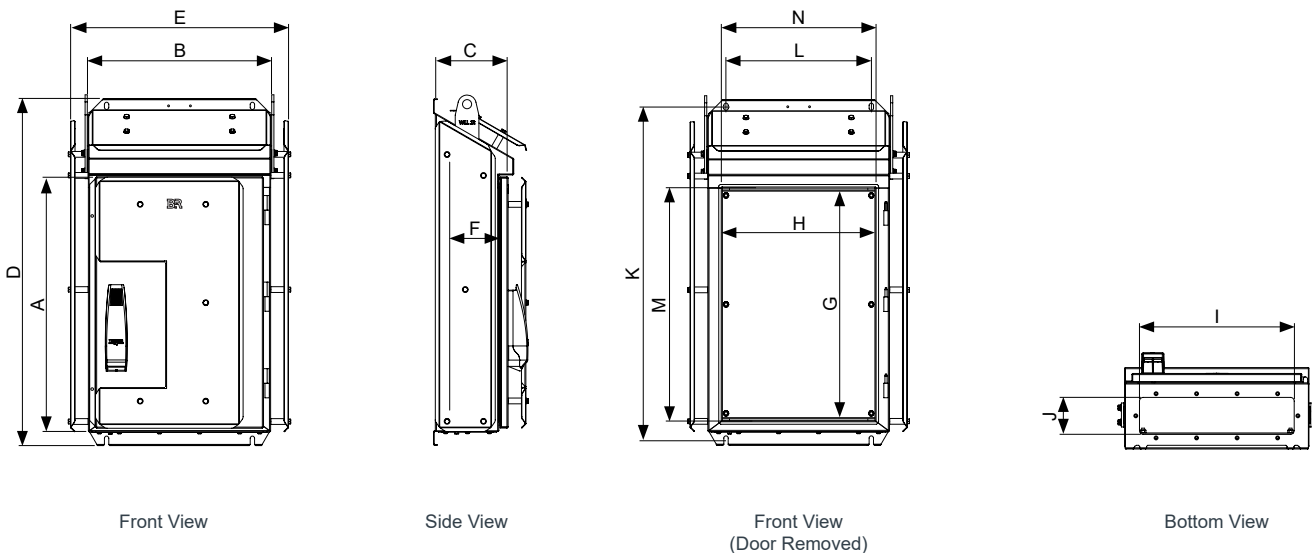


## ORDERING GUIDE

Part Number		Dimensions (mm)														
		External			Internal			Mounting Pan		Gland Opening		Mounting Centres		Opening		Weight (kg)
Height (A)	Width (B)	Depth (C)	Total Height (D)	Total Width (E)	Usable Depth (F)*	Height (G)	Width (H)	Width (I)	Depth (J)	Height (K)	Width (L)	Height (M)	Width (N)	Height (O)	Width (P)	
316SS (N4)	X15 Orange															
SP070522/S/SK	SP070522/SRO/SK	700	500	200	952	600	153	630	430	420	100	920	400	640	420	95.0
SP100822/S/SK	SP100822/SRO/SK	1000	800	200	1250	900	153	930	730	720	100	1218	600	940	720	145.0
SP040425/S/SK#	SP040425/SRO/SK#	400	400	250	679	500	203	330	330	320	140	641	300	340	320	65.0
SP070535/S/SK	SP070535/SRO/SK	700	500	350	1037	600	303	630	430	420	240	1005	400	640	420	110.0
SP100840/S/SK	SP100840/SRO/SK	1000	800	400	1365	900	353	930	730	640	210	1334	600	940	720	170.0

\* From mounting pan to inside of door.  
# Does not come with a front sunshade.

## TECHNICAL DRAWINGS





# Pilbara SP with Sunshades – 316 Stainless Steel

Mining and Industrial Enclosure



## ACCESSORIES

Product	Description	Part Number	Dimensions (mm)			SP070522/S/ISK	SP070522/SRO/ISK	SP100822/S/ISK	SP100822/SRO/ISK	SP040425/S/ISK	SP040425/SRO/ISK	SP070535/S/ISK	SP070535/SRO/ISK	SP100840/S/ISK	SP100840/SRO/ISK
			Height	Width	Depth										
Hinged escutcheon	Zinc coated steel	SPHE0404	325	320	18					•	•				
		SPHE0705	625	420	18	•	•					•	•		
		SPHE1008	925	720	18			•	•					•	•
Gland plate	Brass	SPGB32/6	380	200	6					•	•				
		SPGB41/6 <sup>▲</sup>	480	160	6	•	•								
		SPGB43/6	480	300	6							•	•		
	Aluminium	SPGB71/6 <sup>▲</sup>	780	160	6			•	•						
		SPGB72/6 <sup>▲</sup>	700	270	6									•	•
		SPGA32/6	380	200	6					•	•				
Hinge	316 stainless steel	SPGA41/6	480	160	6	•	•								
		SPGA43/6	480	300	6							•	•		
		SPGA71/6	780	160	6			•	•						
		SPGA72/6	700	270	6									•	•
LED light kit	12V	SP/H/S	–	–	–	•	•	•	•	•	•	•	•	•	•
		BRLED300	–	300	–	•				•	•				
	24V	BRLED500	–	500	–		•								
		BRLED300/24	–	300	–	•				•	•				
Light mounting kit	To suit LED light kits	BRLED500/24	–	500	–						•				
		IPLKB04 <sup>▲</sup>	–	–	–					•					
		SPLKB05 <sup>▲▲</sup>	–	–	–	•				•		•			
		IPLKB08 <sup>▲</sup>	–	–	–		•	•	•		•		•	•	

<sup>▲</sup> Light not included, purchased separately

<sup>▲▲</sup> Available on request



See **Pages 32-33** for more information about B&R's range of lighting solutions or contact your local sales representative to discuss your requirements.

# Hedland PH

## Mining and Industrial Enclosures



- Typically used for local control stations, mini-control consoles and motor isolators in conveyor runs.
- The sloped face creates an ergonomic interface when fitted with pushbuttons and control equipment.
- 15° sloping roof and 20mm overhang to prevent build up of solids.
- Conformity, Approvals:  
Lloyds Register #06/10007 (E2)
- Manufactured from 1.5mm thick 316 stainless steel
- N4 surface finish.

Comes standard with:

- 2mm steel mounting pan powdercoated white
- 6mm brass gland plate
- Top and bottom mounting flanges
- Stainless steel lock with 7mm square stainless steel insert (NI020/S)
- Door stay and document holder
- External earthing stud
- Earth strap kit



### ORDERING GUIDE

Dimensions (mm)

Part Number	External			Total Height (D)	Internal	Useable Depth (E)*	Mounting Pan		Gland Opening		Mounting Centres		Weight (kg)
	Height (A)	Width (B)	Depth (C)				Height (F)	Width (G)	Width (H)	Depth (I)	Height (J)	Width (K)	
PH040427/S	400	400	270	603	230	320	340	180	300	563	300	23.0	
PH060627/S	600	600	270	803	230	520	540	180	500	763	500	38.0	
PH100827/S▲	1000	800	270	1203	230	915	740	180	700	1163	700	85.0	
PH120827/S▲	1200	800	270	1403	230	1120	740	180	700	1363	700	95.0	
PH160827/S▲	1600	800	270	1803	230	1520	740	180	700	1763	700	105.0	

\* Mounting pan to inside of door

▲ Available on request

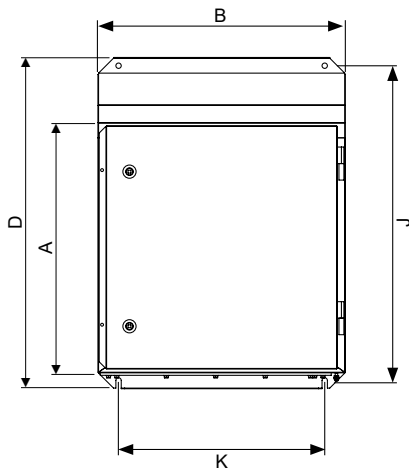
### ACCESSORIES

Product	Description	Part Number	Dimensions (mm)			PH040427/S	PH060627/S	PH100827/S	PH120827/S	PH160827/S
			Height	Width	Thickness					
External vent kit	316 stainless steel	IPVK/S	130	130	—	•	•	•	•	•
		IPVK16/S▲	260	260	—	^	^	^	^	^

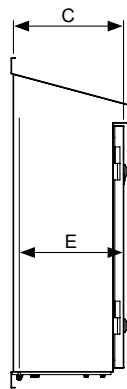
^ Fits door only

▲ Available on request

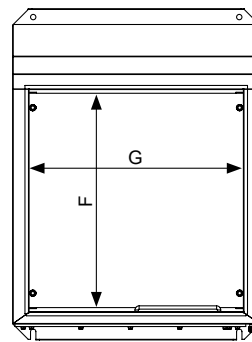
TECHNICAL DRAWINGS



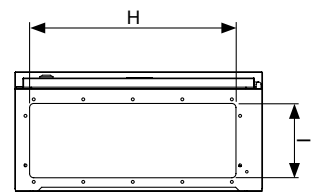
Front View



Side View



Front View  
(Door Removed)



Bottom View

# Lambert LB

## Sunshaded Mining Enclosures



- 30° sloping roof to prevent build up of water and solids.
- Fully enclosed 3-point locking system.
- Easy installation with top and bottom mounting flanges.
- Removable doors with pintle hinges.
- Lifting lugs conform to AS4991: *Lifting Devices*.
- One (1) tonne SWL on each lifting lug.
- Conformity, Approvals:
  - Lloyds Register #06/10007 (E2)
- Region D wind rated to AS1170.2-2002: Structural design actions - Wind actions
- Manufactured from 1.5mm thick 316 stainless steel.
- N4 surface finish.

Comes standard with:

- Sunshades – top, doors, sides and rear
- Full width steel rear mounting pan powdercoated white
- Stainless steel padlockable swing handle with LockSock®
- Door stays
- 3mm brass gland plate
- Door rails
- Earth strap kit



### ORDERING GUIDE

Part Number	Dimensions (mm)																Weight*
	External			Internal		Mounting Pan		Gland Opening		Mounting Centres		Opening					
	Height (A)	Width (B)	Depth (C)	Total Height (D)	Total Width (E)	Total Depth (F)	Usable Depth (G)	Height (H)	Width (I)	Width (J)	Depth (K)	Height (L)	Width (M)	Height (N)	Width (O)		
LB100840/S <sup>^</sup>	1000	800	400	1368	896	502	324	930	730	640	210	1335	600	940	720	250.0	
LB101040/S <sup>^</sup>	1000	1000	400	1368	1096	502	324	930	930	840	210	1335	800	940	920	300.0	
LB101440/S	1000	1400	400	1368	1496	502	324	930	1330	540	210	1335	1320	940	1320	320.0	

<sup>^</sup> Single Door

\* Includes crate for safe transportation

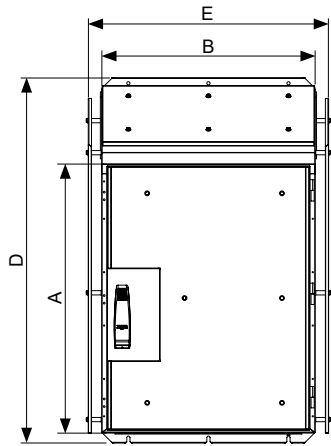
### ACCESSORIES

Product	Description	Part Number	Dimensions (mm)			LB100840/S	LB101040/S	LB101440/S
			Height	Width	Depth			
Side mounting pan	Powdercoated B33 Mist Blue	LBSMP1040	930	200	15	•	•	•
Powdercase	Lockable	LBLPC/020315 <sup>^</sup>	233	300	167	•	•	•
		LBLPC/020615 <sup>^</sup>	233	600	167	•	•	•
Gland Plate	6mm Aluminium - 2 required	LBGA62/6 <sup>^</sup>	—	600	270	•	•	•
	6mm Aluminium - 1 required	LBGA72/6 <sup>^</sup>	—	700	270	•	•	•
	6mm Aluminium - 1 required	LBGA92/6 <sup>^</sup>	—	900	270	•	•	•

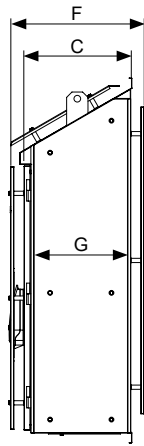
<sup>^</sup> Available on request

**TECHNICAL DRAWINGS**

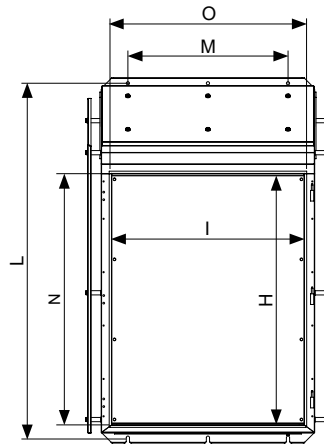
LB100840/S & LB101040/S



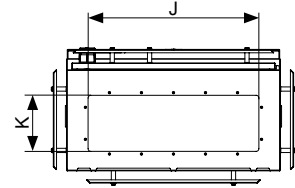
Front View



Side View

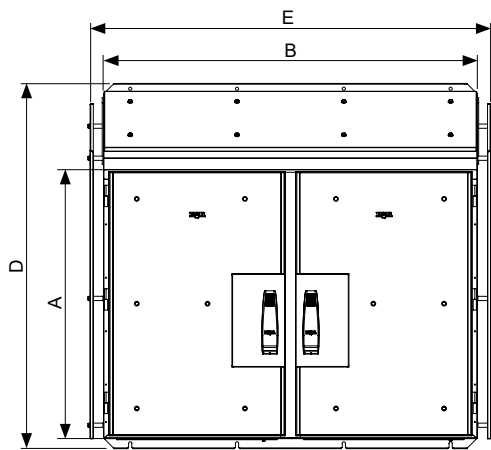


Front View with internals

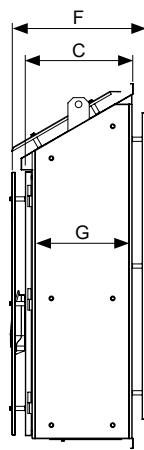


Bottom View

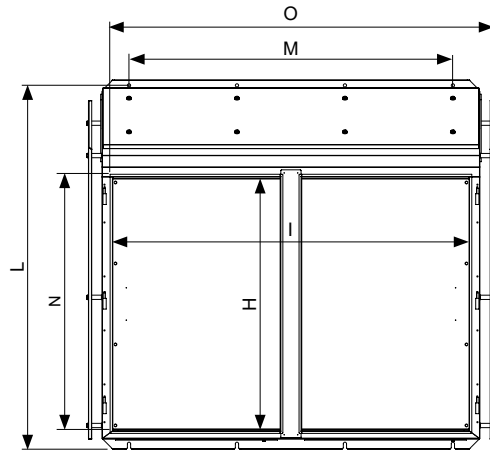
LB101440/S



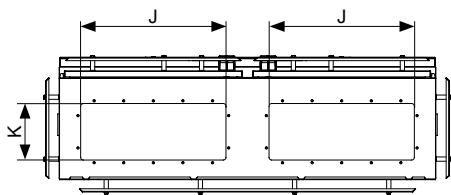
Front View



Side View



Front View with internals



Bottom View



# Finucane FI

## Mining and Industrial Enclosures



### INTERNAL ENCLOSURE

- 15° forward sloping roof with extended roof and gutter system.
- Mounting pan depth adjustable to provide flexibility for cable glands.
- 2mm steel mounting pan powdercoated white.
- 6mm aluminium gland plate.
- Door rails.
- Earth strap kit.
- Padlockable stainless steel swing handle (IP060/S).
- Manufactured from 316 stainless steel with N4 surface finish.

### SUNSHADE ENCLOSURE

- Fully vented enclosure designed to protect enclosure from direct sunlight and reducing temperatures inside the enclosure.
- 15° reverse angle sloping roof.
- Large opening in bottom for maximum cable access and ventilation.
- Key lockable stainless steel L handle keyed to 92268 (IP050).
- Manufactured from 316 stainless steel with N4 surface finish.



FI151250/S

### ORDERING GUIDE

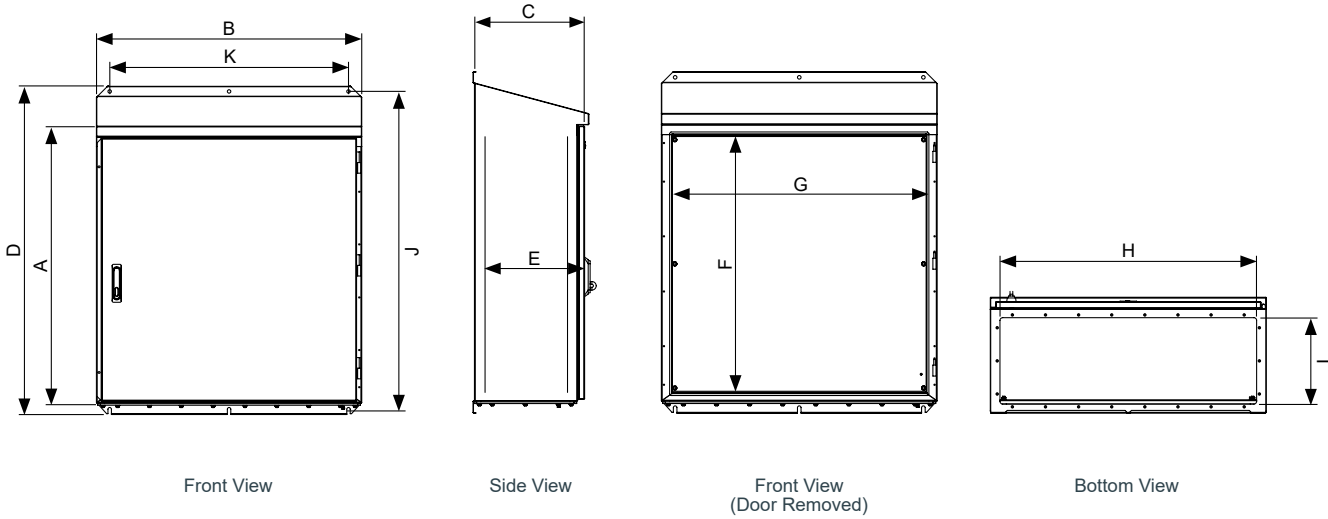
Dimensions (mm)

Part Number	Includes	External			Total Height (D)	Internal Usable Depth (E)	Mounting Pan		Gland Opening		Mounting Centres		Weight (kg)
		Height (A)	Width (B)	Depth (C)			Height (F)	Width (G)	Width (H)	Depth (I)	Height (J)	Width (K)	
FI101040/S*	Internal enclosure only	1000	1000	420	1240	354	930	934	930	313	1206	900	65.0
FI151250/S	Sunshade and enclosure, complete	1500	1200	524	–	–	–	–	–	–	–	–	220.0

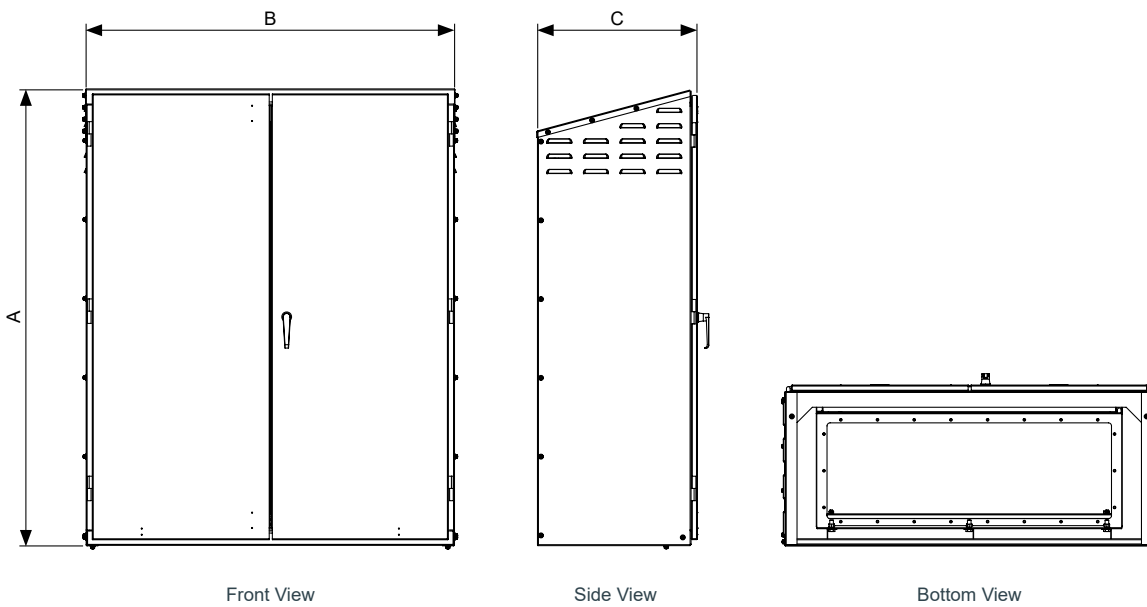
\* Only applies to internal enclosure

TECHNICAL DRAWINGS

Internal Enclosure



Sunshade and enclosure complete assembly



# Bowen Series

## Mining and Industrial Enclosures



- Designed to house terminations, pushbuttons, isolators or switchgear in industrial or demanding environments such as washeries, processing and sampling stations.
- Is well suited to applications that require front and side mounted switching devices.
- 40° sloping roof and 40mm roof overhang reduces material build-up.
- Internal door rails fitted to ensure mounting flexibility.
- Lifting lugs conform to AS4991: *Lifting Devices*.
- One (1) tonne SWL on each lifting lug.
- Conformity, Approvals:  
Lloyds Register #06/10007 (E2)
- Manufactured from 1.5 to 2.0mm thick 316 stainless steel.
- N4 surface finish.

Comes standard with:

- Steel mounting pan powdercoated white
- Top and bottom mounting flanges
- Internal 6mm earth stud
- Lock dust cover with stainless steel lock with 8mm square slotted stainless steel insert
- Lifting lugs on 800mm & 1200mm high enclosures



### ORDERING GUIDE

Dimensions (mm)

Part Number	External				Internal	Mounting Pan				Gland Opening		Mounting Centres		Material Thk.		Weight (kg)
	Height (A)	Width (B)	Depth (C)	Total Height (D)	Usable Depth* (H)	Height (I)	Width (J)	Width (K)	Depth (L)	Height (M)	Width (N)	Body	Door			
BL040320/S	400	300	200	709	179	345	210	200	105	676	200	1.5	1.5	14.0		
BL040420/S	400	400	200	709	150	345	310	300	105	676	300	1.5	1.5	18.0		
BL060420/S	600	400	200	909	150	545	310	300	105	876	300	1.5	1.5	21.0		
BL060630/S	600	600	300	993	250	545	510	500	205	960	500	1.5	1.5	33.0		
BL080630/S	800	600	300	1193	250	745	510	500	205	1160	500	1.5	1.5	60.0		
BL120830/S	1200	800	300	1593	250	1145	710	700	205	1560	700	1.5	1.5	90.0		
BM040320/S <sup>▲</sup>	400	300	200	709	179	345	210	200	105	676	200	1.5	2.0	15.0		
BM040420/S <sup>▲</sup>	400	400	200	709	150	345	310	300	105	676	300	1.5	2.0	19.0		
BM060420/S <sup>▲</sup>	600	400	200	909	150	545	310	300	105	876	300	1.5	2.0	24.0		
BM060630/S <sup>▲</sup>	600	600	300	993	250	545	510	500	205	960	500	1.5	2.0	36.0		
BM080630/S <sup>▲</sup>	800	600	300	1193	250	745	510	500	205	1160	500	1.5	2.0	65.0		
BM120830/S <sup>▲</sup>	1200	800	300	1593	250	1145	710	700	205	1560	700	1.5	2.0	95.0		
BW040320/S <sup>▲</sup>	400	300	200	710	179	345	210	200	105	676	200	2.0	2.0	17.0		
BW040420/S	400	400	200	709	150	345	310	300	105	676	300	2.0	2.0	21.0		
BW060420/S <sup>▲</sup>	600	400	200	909	150	545	310	300	105	876	300	2.0	2.0	28.0		
BW060630/S <sup>▲</sup>	600	600	300	993	250	545	510	500	205	960	500	2.0	2.0	38.0		
BW080630/S	800	600	300	1193	250	745	510	500	205	1160	500	2.0	2.0	70.0		
BW120830/S	1200	800	300	1593	250	1145	710	700	205	1560	700	2.0	2.0	100.0		

\* Mounting pan to inside of door

▲ Available on request

### ACCESSORIES

Product	Part Number	Dimensions (mm)			BL040320/S	BL040420/S	BL060420/S	BL060630/S	BL080630/S	BL120830/S	BM040320/S	BM040420/S	BM060420/S	BM060630/S	BM080630/S	BM120830/S	BW040320/S	BW040420/S	BW060420/S	BW060630/S	BW080630/S	BW120830/S	
		Height	Width	Depth																			
Hinged escutcheon – 2mm zinc coated steel (white)	BWHE040420	300	312	200		•						•							•				
	BWHE060420	500	312	200			•						•							•			
	BWHE060630	500	507	300				•						•							•		
	BWHE080630	700	507	300					•						•							•	
	BWHE120830	1100	710	300						•						•							•
Light kit brackets <sup>^</sup>	BWLKB04 <sup>^</sup>	–	–	–		•	•					•	•						•	•			
	BWLKB06 <sup>^</sup>	–	–	–				•	•					•	•						•	•	
	BWLKB08 <sup>^</sup>	–	–	–					•							•							•
LED Light <sup>*</sup>	BRLED300	–	300	–		•	•					•	•						•	•			
	BRLED300/24	–	300	–		•	•					•	•						•	•			
	BRLED500	–	500	–				•	•	•				•	•	•					•	•	•
	BRLED500/24	–	500	–				•	•	•				•	•	•					•	•	•

\* Requires light kit bracket to suit enclosure size

<sup>^</sup> Light not included, purchased separately

<sup>^</sup> Available on request



See **Page 30** for a range of lock options available for the Bowen range.



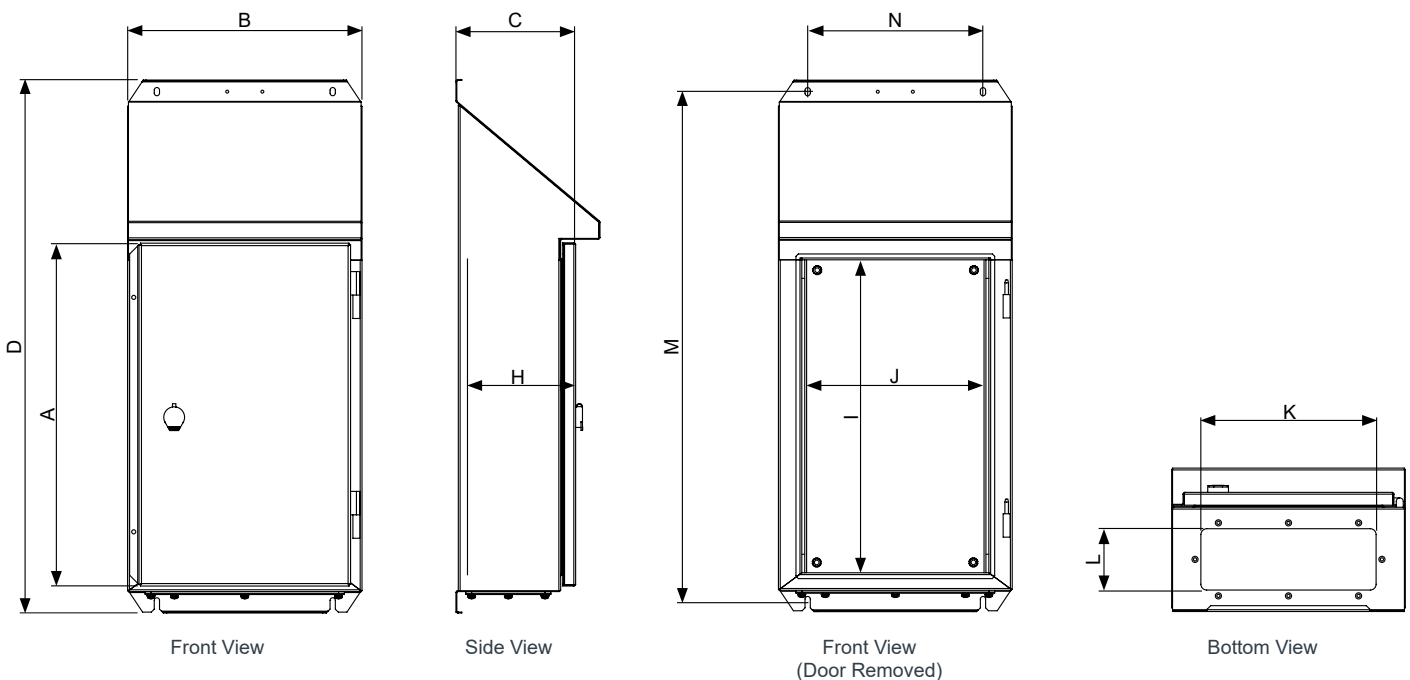
#### DID YOU KNOW?

Retrofitted sunshades provide extra protection against rising temperatures inside an enclosure. Also available are enclosures fitted with sunshades. See **Pages 28-29** for more information.



See **Pages 32-33** for more information about B&R's range of lighting solutions or contact your local sales representative to discuss your requirements.

### TECHNICAL DRAWINGS



# Bowen Series with Sunshades

## Mining and Industrial Enclosures



- Designed to house terminations, pushbuttons, isolators or switchgear in industrial or demanding environments such as washeries, processing and sampling stations.
- Sunshades protect the internal equipment from the effects of the sun.
- Is well suited to applications that require front and side mounted switching devices.
- 40° sloping roof and 40mm roof overhang reduces material build-up.
- Internal door rails fitted to ensure mounting flexibility.
- Lifting lugs conform to AS4991: *Lifting Devices*.
- One (1) tonne SWL on each lifting lug.
- Conformity, Approvals:  
Lloyds Register #06/10007 (E2)
- Manufactured from 1.5mm thick 316 stainless steel.
- N4 surface finish.

Comes standard with:

- Steel mounting pan powdercoated white
- Top and bottom mounting flanges
- Internal 6mm earth stud
- Lock dust cover with stainless steel lock with 8mm square slotted stainless steel insert
- Lifting lugs on 800mm & 1200mm high enclosures



### ORDERING GUIDE

Dimensions (mm)

Part Number	External				Internal			Mounting Pan		Gland Opening		Mounting Centres		Material Thk.	
	Height (A)	Width (B)	Depth (C)	Total Height (D)	Total Width (E)	Total Depth (F)	Usable Depth* (H)	Height (I)	Width (J)	Width (K)	Depth (L)	Height (M)	Width (N)	Body	Door
BL040320/S/SK <sup>▲</sup>	400	300	200	709	409	250	179	345	210	200	105	676	200	1.5	1.5
BL040420/S/SK <sup>▲</sup>	400	400	200	709	509	250	150	345	310	300	105	676	300	1.5	1.5
BL060420/S/SK <sup>▲</sup>	600	400	200	909	509	250	150	545	310	300	105	876	300	1.5	1.5
BL060630/S/SK <sup>▲</sup>	600	600	300	993	709	350	250	545	510	500	205	960	500	1.5	1.5
BL080630/S/SK <sup>▲</sup>	800	600	300	1193	709	350	250	745	510	500	205	1160	500	1.5	1.5
BL120830/S/SK <sup>▲</sup>	1200	800	300	1593	909	350	250	1145	710	700	205	1560	700	1.5	1.5

\* Mounting pan to inside of door

<sup>▲</sup> Available on request



# Bowen Series with Sunshades

Mining and Industrial Enclosures



## ACCESSORIES

Product	Part Number	Dimensions (mm)			BL040320/S/SK	BL040420/S/SK	BL060420/S/SK	BL060630/S/SK	BL080630/S/SK	BL120830/S/SK
		Height	Width	Depth						
Hinged escutcheon – 2mm zinc coated steel (white)	BWHE040420	300	312	200		•				
	BWHE060420	500	312	200			•			
	BWHE060630	500	507	300				•		
	BWHE080630	700	507	300					•	
	BWHE120830	1100	710	300						•
Light kit brackets <sup>^</sup>	BWLKB04 <sup>^</sup>	–	–	–		•	•			
	BWLKB06 <sup>^</sup>	–	–	–				•	•	
	BWLKB08 <sup>^</sup>	–	–	–						•
LED Light <sup>*</sup>	BRLED300	–	300	–		•	•			
	BRLED300/24	–	300	–		•	•			
	BRLED500	–	500	–				•	•	•
	BRLED500/24	–	500	–				•	•	•

\* Requires light kit bracket to suit enclosure size

<sup>^</sup> Light not included, purchased separately

<sup>^</sup> Available on request

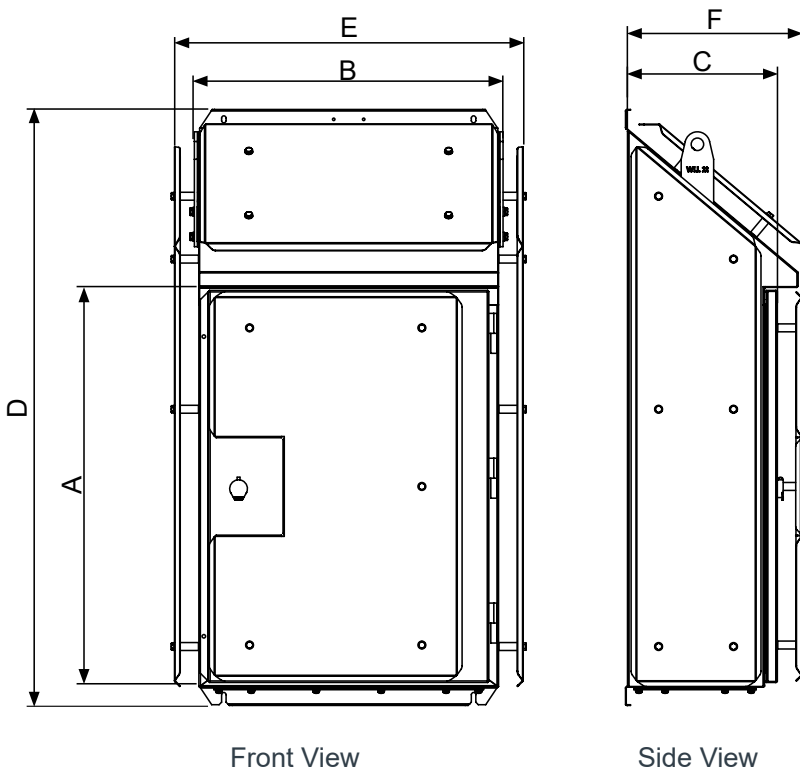


See **Page 30** for a range of lock options available for the Bowen range.



See **Pages 32-33** for more information about B&R's range of lighting solutions or contact your local sales representative to discuss your requirements.

## TECHNICAL DRAWINGS



# Locks

## Locks to suit special purpose enclosures

### Standard Locks

These locks are included as standard for each of these enclosures. For a different locking option on one of these enclosures, contact your local sales representative to discuss your requirements.

Enclosure	Zinc Coated Steel	Stainless Steel
Incline SR	–	NI020/S – stainless steel lock with 7mm square stainless steel insert
Hedland PH	–	NI020/S – stainless steel lock with 7mm square stainless steel insert
Pilbara SP	SP/LCK – chromed steel padlockable swing handle with LockSock®	SP/LCK/S – stainless steel padlockable swing handle with LockSock®
Lambert LB	–	SP/LCK/S – stainless steel padlockable swing handle with LockSock®
Finucane FI	Internal Enclosure – IP060/S Padlockable stainless steel swing handle	Sunshade Enclosure – IP050 Key lockable L handle keyed to 92268
Bowen Series	–	NI028/S – stainless steel lock with 8mm square slotted stainless steel insert



# Locks

## Locks to suit special purpose enclosures



### Lock Options for Special Purpose Enclosures

There are a number of lock options available that are suitable for use on special purpose enclosures. Contact your local sales representative to discuss your requirements.

Product	Description	Part Number	Standard Lock/Insert	Alternative insert	Keys	
					Lockable handles	Zinc, 4-way
Turnbuckle	chromed steel	NI020	7mm square – steel	See below		SKZ
		DD020	7mm square – steel			SKZ
	powdercoated with SS insert	NI020/PS	7mm square – stainless steel			SKZ
		DD020/PS	7mm square – stainless steel			SKZ
	stainless steel	NI020/S	7mm square – stainless steel			SKZ
		NI028S/S	8mm square slotted – stainless steel			–
Wing knob	lockable	NI030	Key code 92268	–	SK3	
		NI030/CL001	Key code CL001	–		
		NI030/L003	Key code L003	–		
		DD030	Key code 92268	–	SK3	
	non-lockable	NI111	–	–		
		DD111	–	–		
T-handle	lockable	NI040	Key code 92268	–	SK3	
		DD040	Key code 92268	–	SK3	
L-handle	lockable	NI050	Key code 92268	–	SK3	
		DD050	Key code 92268	–	SK3	
	padlockable – steel	NI052	–	–		
		DD052	–	–		
	padlockable – stainless steel	NI052/S	–	–		
		DD052/S	–	–		
Swing handle	padlockable – steel	SP/LCK	–	–		
	padlockable – stainless steel	SP/LCK/S	–	–		
LockSock®	plastic	SP/LCK/DC	To suit SP/LCK	–		
Dust cap	plastic	NI020/DC	To suit NI020 lock	–		

### Lock Inserts for Locks

The NI020 locks are available with an option lock insert for use on all special purpose enclosures. Contact your local sales engineer to discuss your requirements.

To suit lock style	Description	To suit lock	Standard Insert	3mm double bit pin		8mm square		8mm square slotted	8mm triangle	
				Steel	Stainless Steel	Steel	Stainless Steel	Stainless Steel	Steel	Stainless Steel
Turnbuckle	chromed steel	NI020 or DD020	7mm square – steel	LKINS3P		LKINS8S		LKINS8SS/S		LKINS8T
	powdercoated with SS insert	NI020/PS or DD020/PS	7mm square – stainless steel		LKINS3P/S		LKINS8S/S	LKINS8SS/S		LKINS8T/S
	stainless steel	NI020/S or DD020/PS	7mm square – stainless steel		LKINS3P/S		LKINS8S/S	LKINS8SS/S		LKINS8T/S
Key required – zinc			SKZ	SKZ	SKZ	SKZ	SKZ	SKZ	SKZ	SKZ

# Enclosure LED Lighting

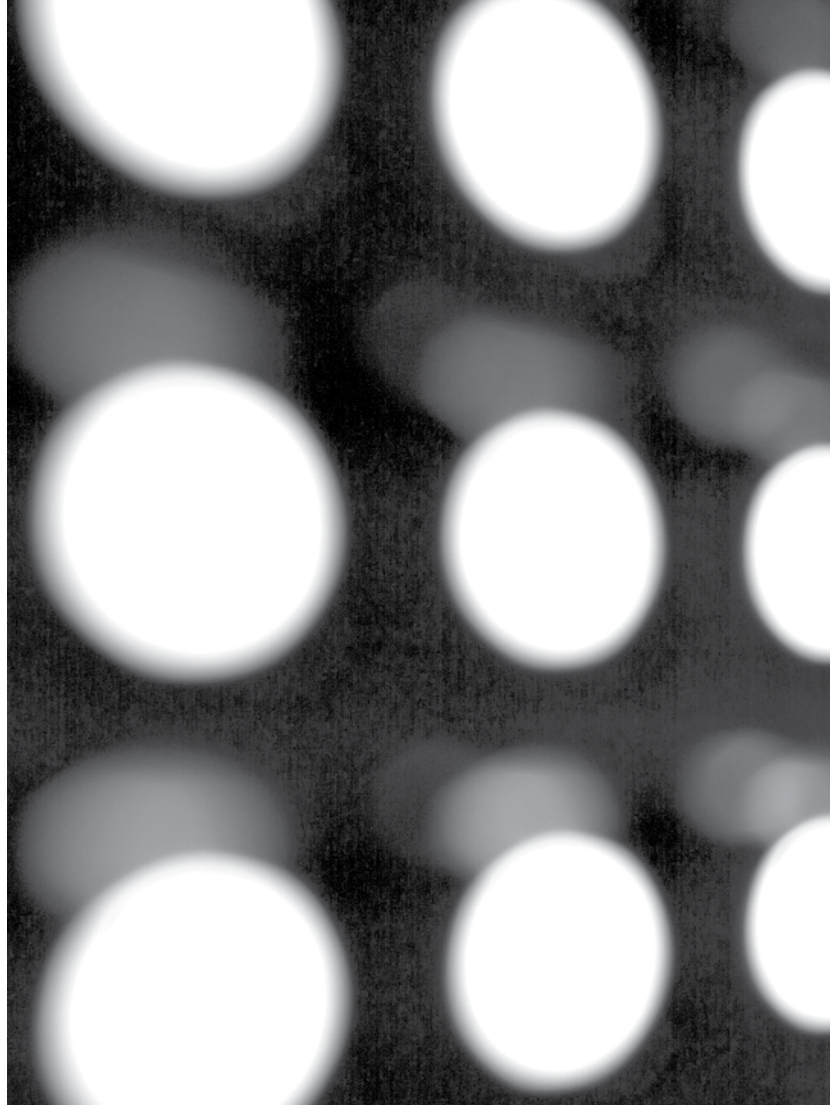
Our LED lighting solutions provide light inside an enclosure when visibility is required for both safety and efficacy.



High output, small form factor LED lighting. Up to 4 units can be daisy chained from the one power supply. Allows for the opening of full height swing frames or hinged escutcheons when fitted to the roof. The optional PIR movement sensor can be used for power efficiency as an automatic door switch. All light kits can be mounted directly onto 19" rack rails. In the absence of 19" rack rails a mounting kit is available to suit the enclosure size.

B&R's LED lighting solutions are applied to provide excess light within an enclosure and becomes a continuous light source to provide extra visibility.

- Energy saving up to 50% compared with traditional fluorescents under the same lux.
- Life span – over 50,000 hours
- Available in cool white, neutral white and warm white colour temperatures.
- Available in 12V and 24V options.
- Easy linking up to 36 watts per run.
- Easy to install.
- Low voltage — safe and efficient.
- Manufactured from aluminium with black plastic end caps and acrylic lens.
- Light source – SM3528 LED
- Operating temperature – -20°C to 40°C indoors



This information is provided as a guide only. Contact your local sales representative to discuss your requirements.

## Technical Operating Data

Length (mm)	Voltage (DC)	Power (W)	Radiance	Colour Temp	Luminous Flux (lm)*	LED Current (A)
300	12/24	3	90°	4400	280/360	0.18
500	12/24	5	90°	4400	460/600	0.18



### Pilbara SP

Part Number	Power (V)	Inclusions					Required Mounting Bracket			To suit enclosure	
		LED Light	Power Supply	Splitter	Switch	Connectors	IPLKB04	SPLKB05	IPLKB08	Width (mm)	Optional
BRLED300	12	•	•		•		•			400 or 500	BRMOT PIR Motion Sensor
BRLED300/24	24	•	•		•		•			400 or 500	
BRLED500	12	•	•		•			•		800	
BRLED500/24	24	•	•		•			•	•	800	
BRLEDK03	–	•		•		•	•			400 or 500	
BRLEDK05	–	•		•		•	•	•		800	

### Bowen Series

Part Number	Power (V)	Inclusions					Required Mounting Bracket			To suit enclosure	
		LED Light	Power Supply	Splitter	Switch	Connectors	BWLKB04	BWLKB06	BWLKB08	Width (mm)	Optional
BRLED300	12	•	•		•		•			400	BRMOT PIR Motion Sensor
BRLED300/24	24	•	•		•		•			400	
BRLED500	12	•	•		•			•	•	600 or 800	
BRLED500/24	24	•	•		•			•	•	600 or 800	
BRLEDK03	–	•		•		•	•			400	
BRLEDK05	–	•		•		•	•	•		600 or 800	



# Case Study

## DAMPIER SALT MINE

Port Hedland, WA

### THE PROJECT

This project, located at Dampier in the Pilbara Region of Western Australia, included the construction of new conveyors, stacker reclaimers, hoppers and other equipment. The project budget was AU\$50 million, and was to be completed over nine to 12 months, by December 2004.

### THE CHALLENGE

The application required robust enclosures to cover a range of environmental conditions. The enclosures also had to address Occupational Health and Safety (O.H.S.) with regard to marshalling enclosures located near conveyor belts and inspection walkways. Due to the tight schedule of the project, the customer required fitting out of enclosures to specification, on time and at a competitive price.

### THE SOLUTION

B&R supplied their standard Pilbara SP, along with a modified skinny version of the Pilbara, & painted/modified Incline SR enclosures. The sloping roof of Pilbara SP and Incline SR is designed to reduce the hazard of dust build-up on top of the enclosures.

Universal NI and Connector TE enclosures were also used. B&R's Western Australian value add section was involved in much of the fit-out, as was Moeller, using B&R painted stainless steel and zinc coated enclosures.

### THE RESULT

This project was successfully delivered on time and to specification, meeting the consultant and end user's expectations.





## AUSTRALIA

Sales  
T: 1300 Enclosures (1300 362 567)  
E: sales@brenclosures.com.au  
brenclosures.com.au

### QUEENSLAND

Brisbane Manufacturing, Sales & Warehouse  
51 Stradbroke Street  
Heathwood QLD 4110  
(PO Box 1151)  
Browns Plains BC QLD 4118  
T: +61 7 3714 1111  
E: salesqld@brenclosures.com.au

### NORTH QUEENSLAND

Townsville Sales & Warehouse  
Unit 4/ 780 Ingham Road  
Mount Louisa, QLD 4814  
(PO Box 7615)  
Garbutt QLD 4814  
T: +61 7 4727 1900  
E: salestvl@brenclosures.com.au

### NEW SOUTH WALES

NSW & ACT Sales & Warehouse  
7 Metters Place  
Wetherill Park NSW 2164  
T: +61 2 9915 9555  
E: salesnsw@brenclosures.com.au

### NEWCASTLE Distribution

Ross Joice Agencies Pty Ltd  
109-111 Broadmeadow Road  
Broadmeadow NSW 2292  
T: +61 2 4961 4433

### VICTORIA

VIC & TAS Sales & Warehouse  
50-52 Sunmore Close  
Heatherston VIC 3202  
T: +61 3 9552 0552  
E: salesvic@brenclosures.com.au

### TASMANIA Distribution

W P Martin Pty Ltd  
85 Elizabeth Street  
Launceston TAS 7250  
T: +61 3 6331 5545

### SOUTH AUSTRALIA

SA & NT Manufacturing, Sales & Warehouse  
505 Grand Junction Road  
Wingfield SA 5013  
T: +61 8 8417 6222  
E: salessa@brenclosures.com.au

### NORTHERN TERRITORY Distribution

Jewell Distributors Pty Ltd  
Cnr Hidden Valley & Beaton Roads  
Berrimah NT 0828  
T: +61 8 8947 0870

### WESTERN AUSTRALIA

WA Sales Office & Warehouse  
6 Montgomery Way  
Malaga WA 6090  
T: +61 8 6310 4777  
E: saleswa@brenclosures.com.au

## NEW ZEALAND

Sales  
B&R Enclosures Limited  
T: 0800 Enclosures (0800 362 567)  
E: sales@brenclosures.co.nz  
brenclosures.co.nz

### AUCKLAND Distribution

Matchmaster  
Unit 6103 Cryers Road  
East Tamaki Auckland NZ 2013  
T: +64 9 265 2097  
E: sales@brenclosures.co.nz

### CHRISTCHURCH Distribution

Matchmaster  
17 Washbournes Road  
Wigram Christchurch NZ 8042  
T: +64 3 348 0659  
E: sales@brenclosures.co.nz

## CHINA

B&R Enclosures (Suzhou) Co. Ltd  
E: sales@brenclosures.com.cn  
brenclosures.com.cn

### SUZHOU

Manufacturing, Sales & Warehouse  
South Block, Building 23 Chuangtou  
Industrial Zone Heshun Road, SIP,  
Suzhou 215122

### PEOPLE'S REPUBLIC OF CHINA

T: +86 512 8718 2139  
E: sales@brenclosures.com.cn

## MIDDLE EAST

Sales  
B&R Gulf  
M: +966 503 496 592  
T: +966 381 2869 1 or +966 5034 9659 2  
E: sales@brgulf.com.sa  
brgulf.com

### DAMMAM Manufacturing, Sales & Warehouse

B&R Gulf  
Factory No. 12, Modon Buildings,  
King Salman Road, Industrial Area 3,  
Dammam, Saudi Arabia  
M: +966 503 496 592  
T: +966 381 2869 1 or +966 5034 9659 2  
E: sales@brgulf.com.sa  
brgulf.com