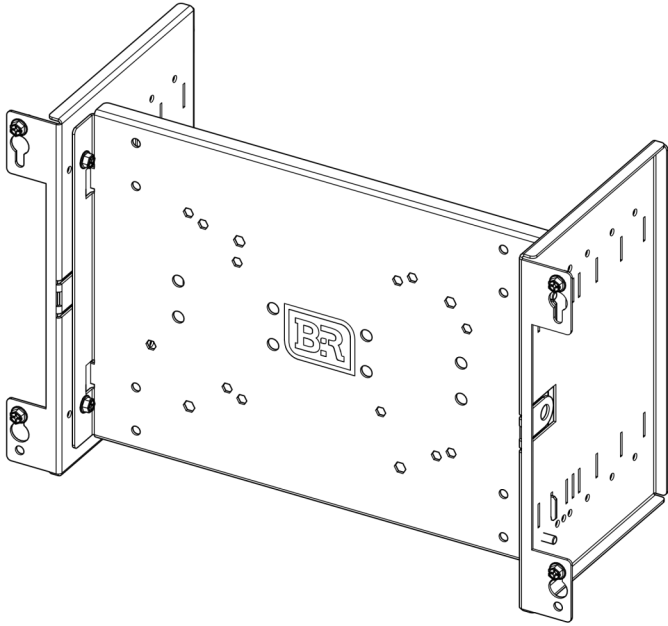
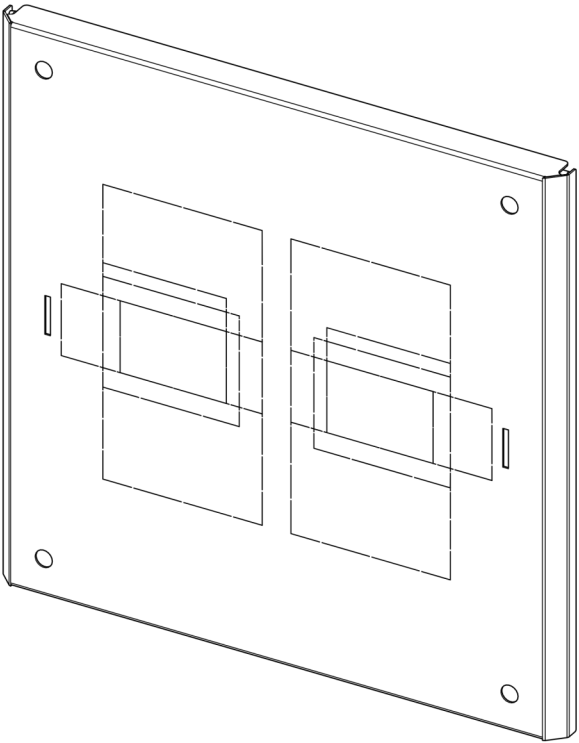
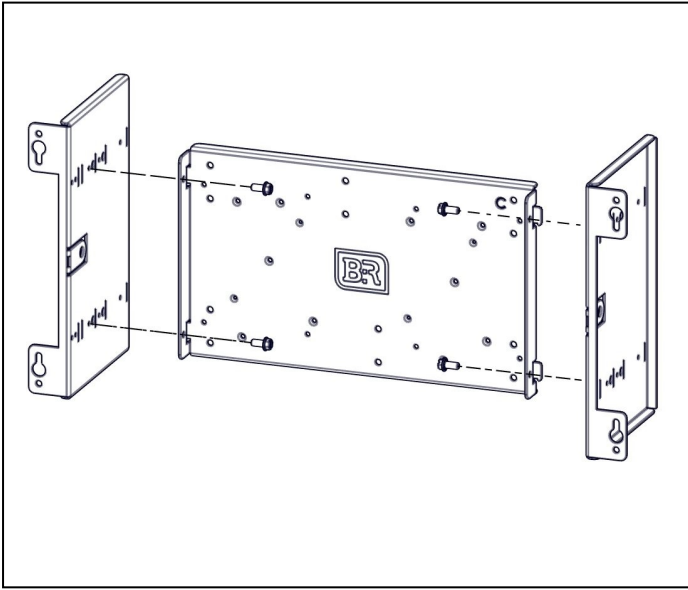


INFINITY 3G

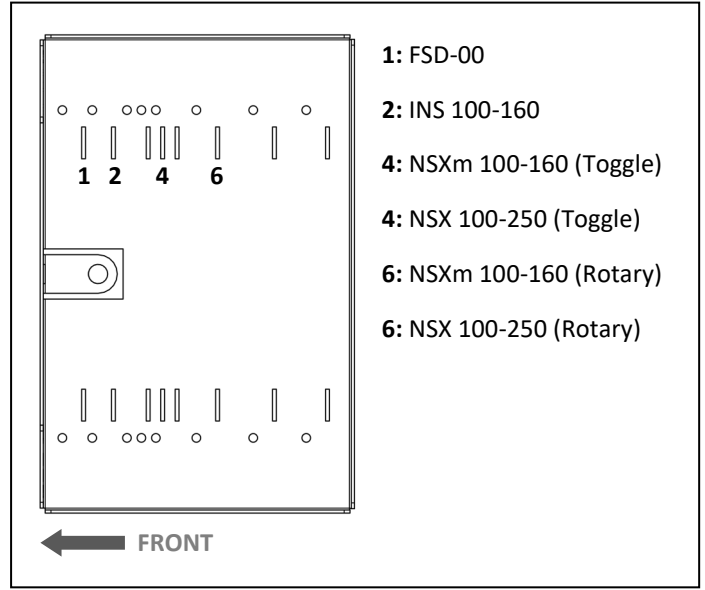
Schneider Switchgear Modules



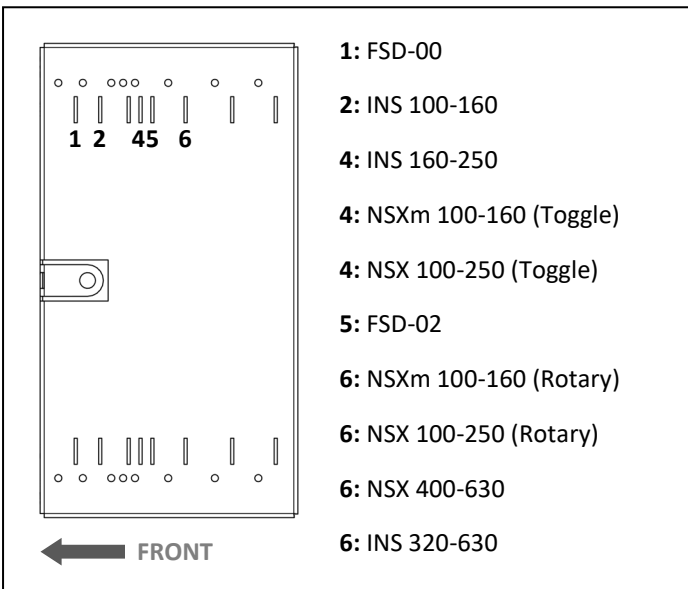
01 Assemble mounting bracket



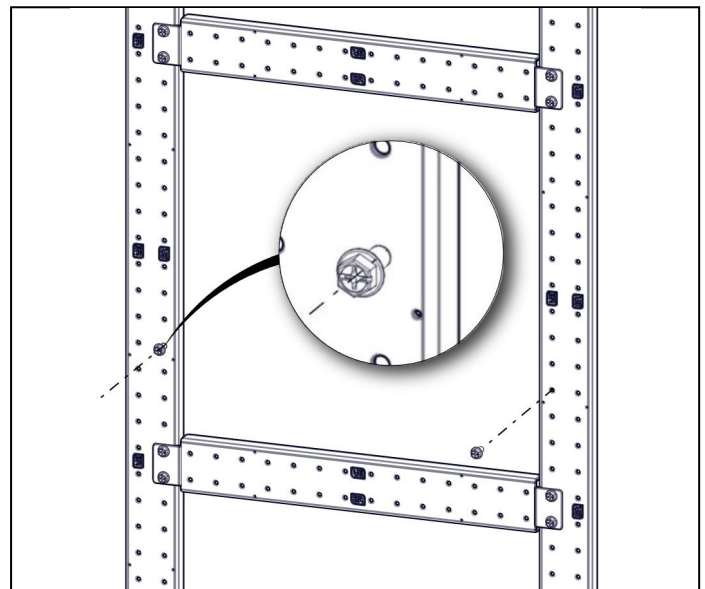
02 Mounting pan position for 2x4, 4x2 and 4x4 modules



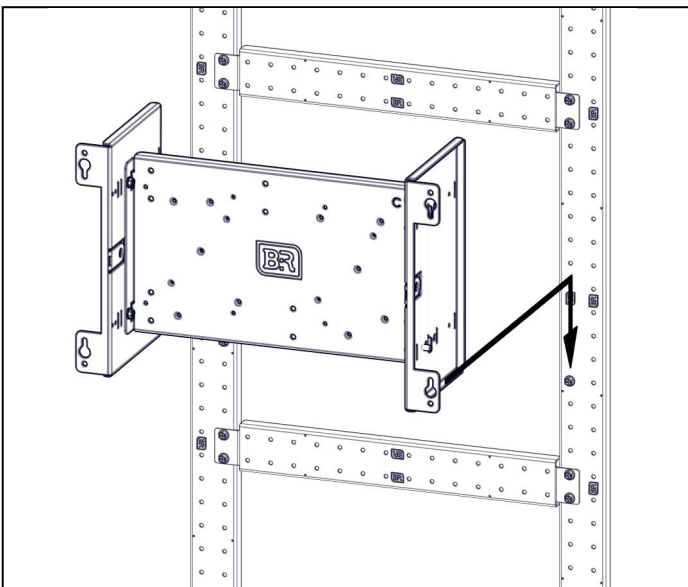
03 Mounting pan positions for 3x6, 6x3, 6x4, 4x6 and 6x6 modules



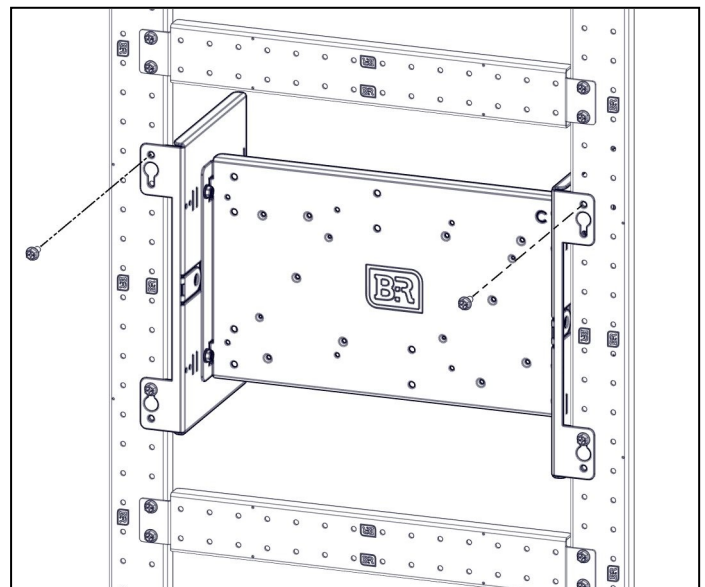
04 Pre-fit bottom 2 mounting screws



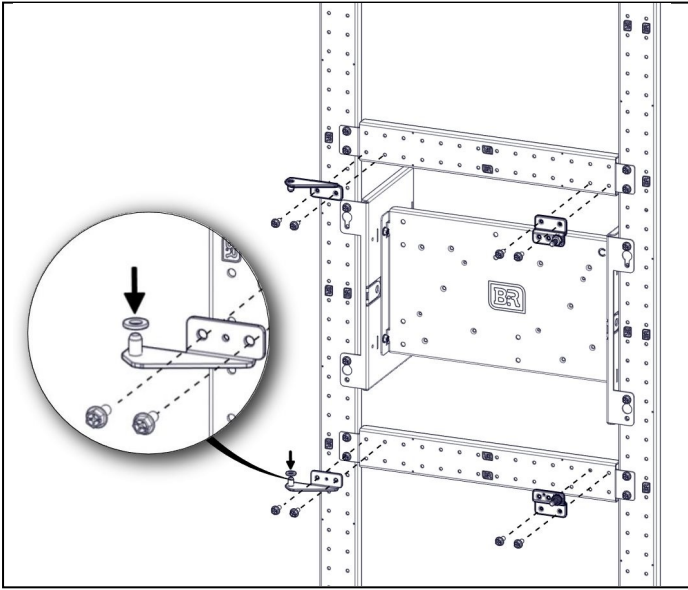
05 Mount mounting pan



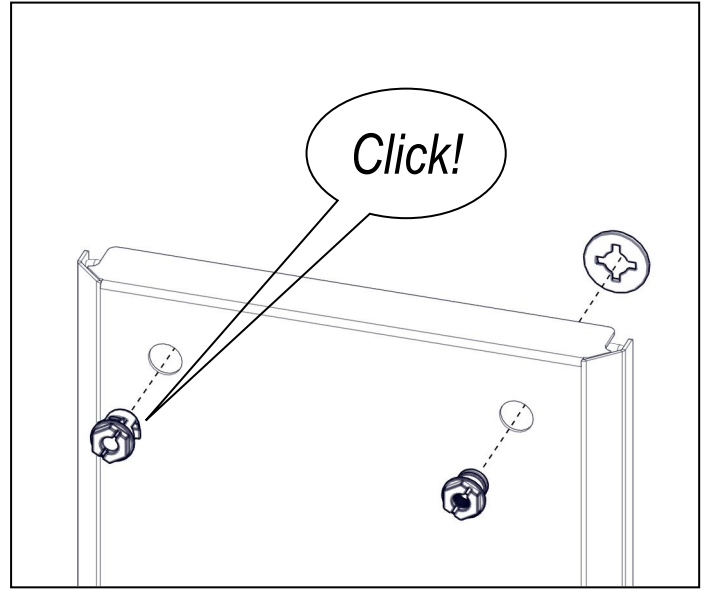
06 Fix mounting pan to enclosure



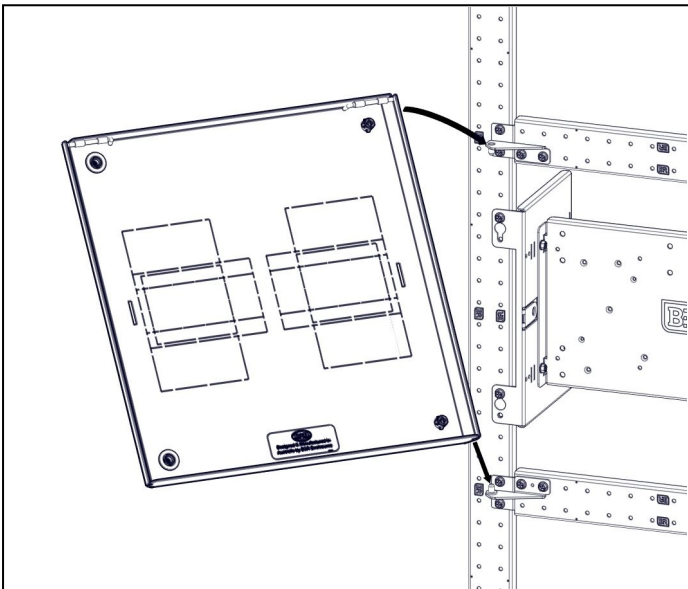
07 Fit escutcheon hinges and fixing brackets to enclosure (LH hinge shown)



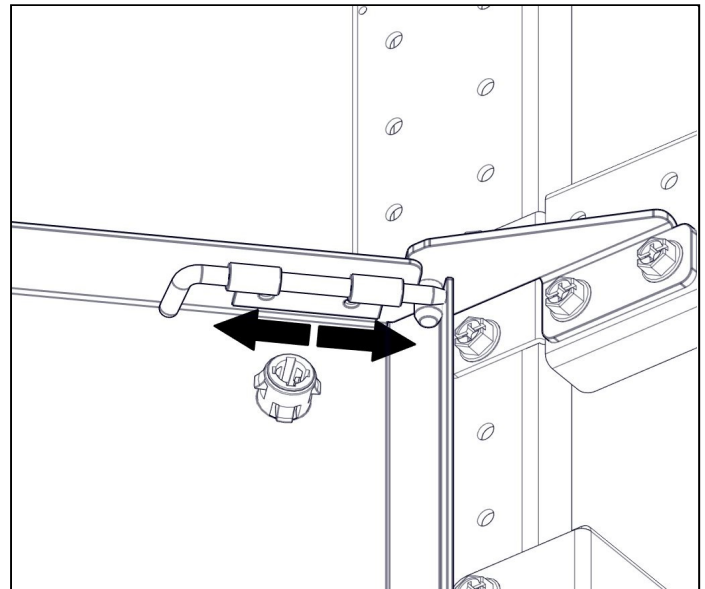
08 Fix escutcheon fixings



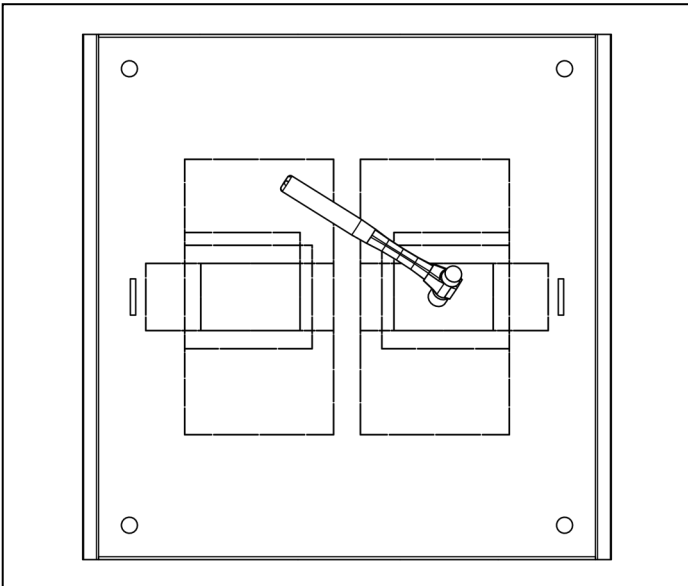
09 Install escutcheon to enclosure



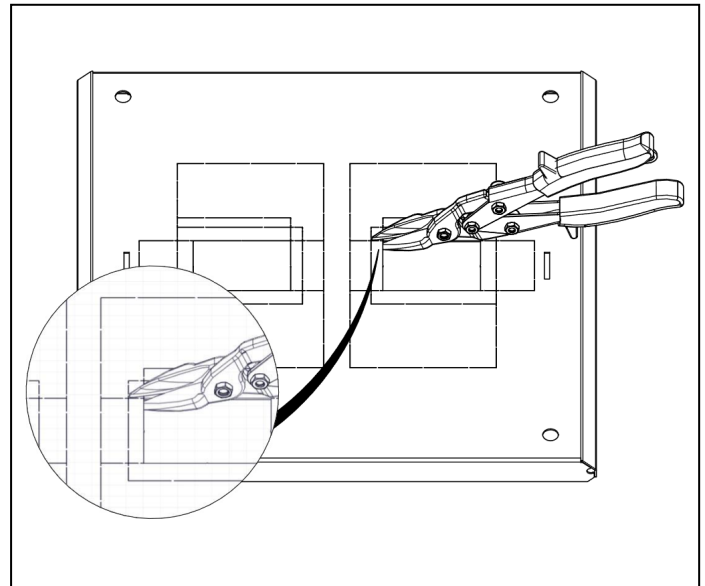
10 Ensure spring hinge is in place



11 Escutcheons have laser-cut knockouts to suit multiple devices, knockout the centre first



12 Cut remaining pattern to suit the selected MCCB with tin snips



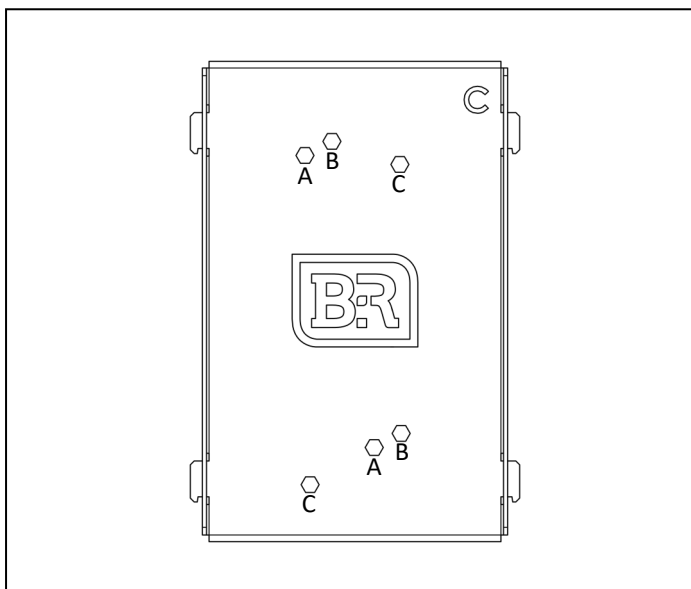
13 SWITCH GEAR LEGEND FOR TGMCM*** MODULES

- A: NSXm 100-160 (*Toggle*)
- B: NSXm 100-160 (*Rotary*)
- C: NSX 100-250
- D: INS 100-160
- E: FSD-00

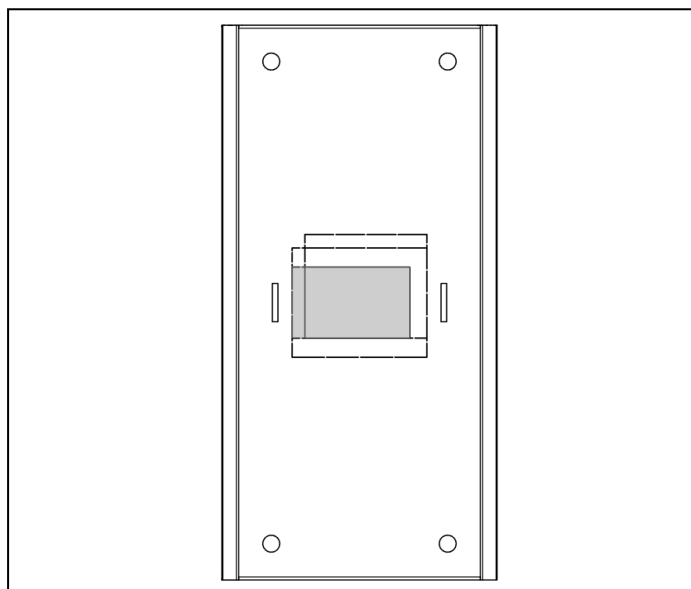
14 SWITCH GEAR LEGEND FOR TGMCB*** MODULES

- W: NSX 400-630
- X: INS 160-250
- Y: INS 320-630
- Z: FSD-02

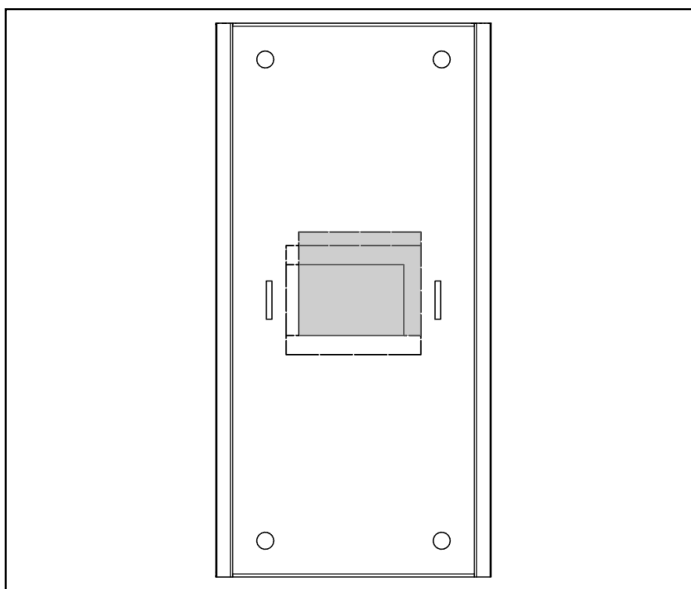
15 2x4 & 4x2 Mounting Pan



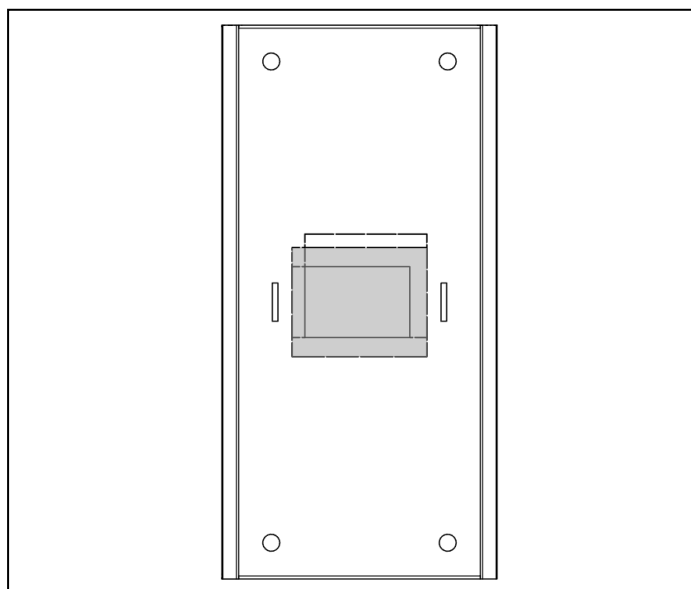
16 2x4 & 4x2 Escutcheon, NSXm 100-160 (*Toggle*)



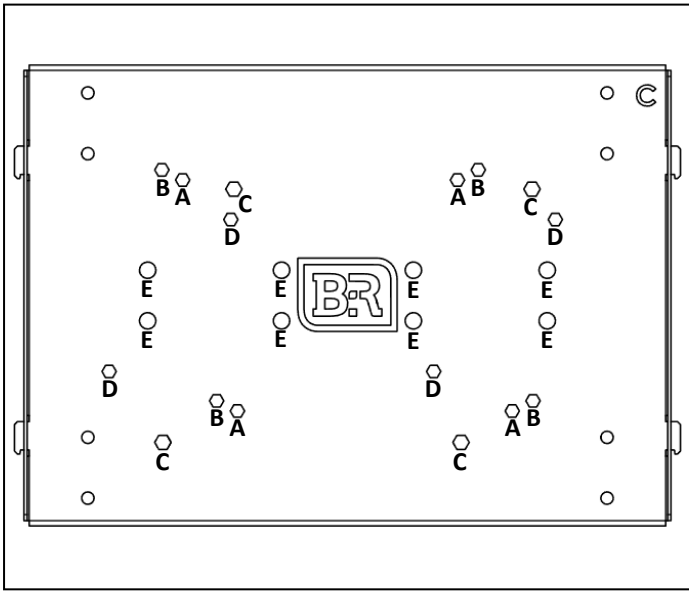
17 2x4 & 4x2 Escutcheon, NSXm 100-160 (*Rotary*)



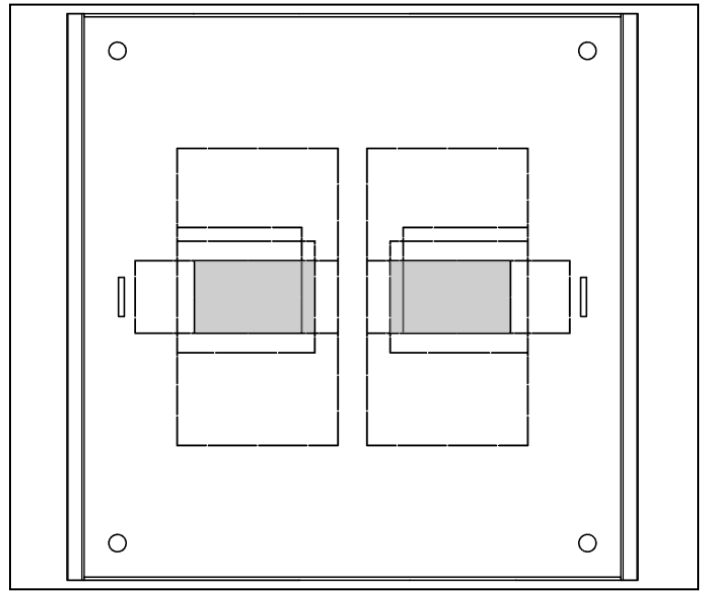
18 2x4 & 4x2 Escutcheon, NSX 100-250



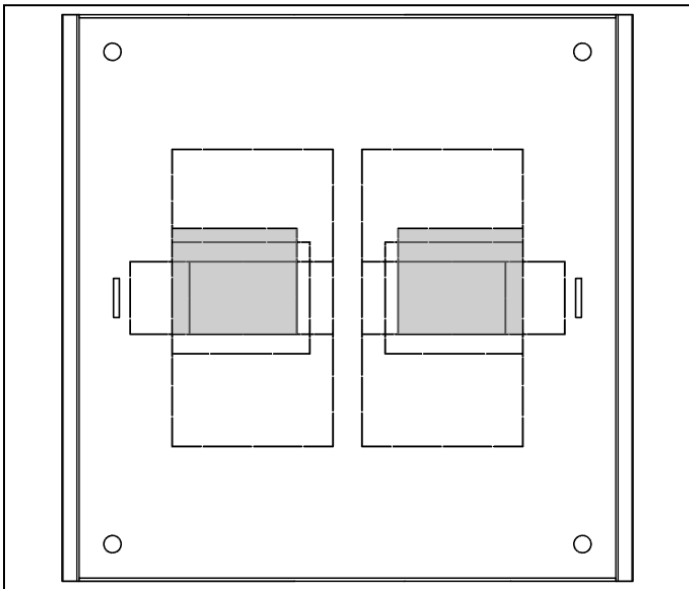
19 4x4 Mounting Pan



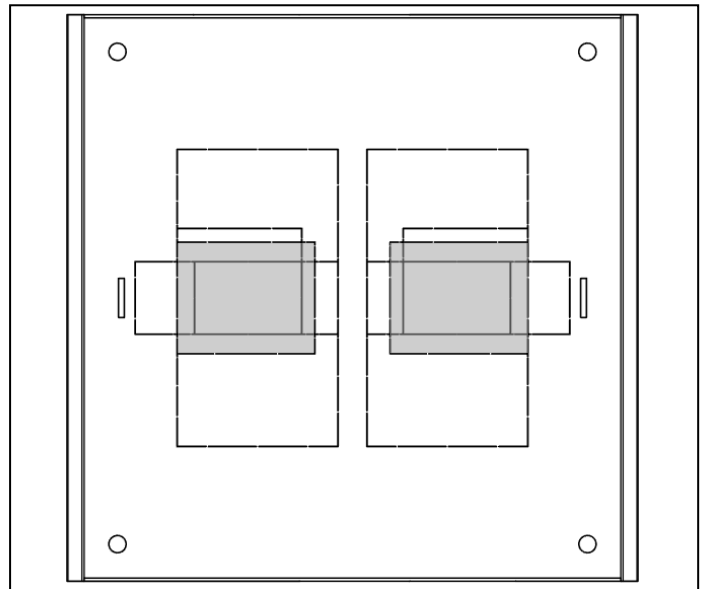
20 4x4 Escutcheon, NSXm 100-160 (Toggle)



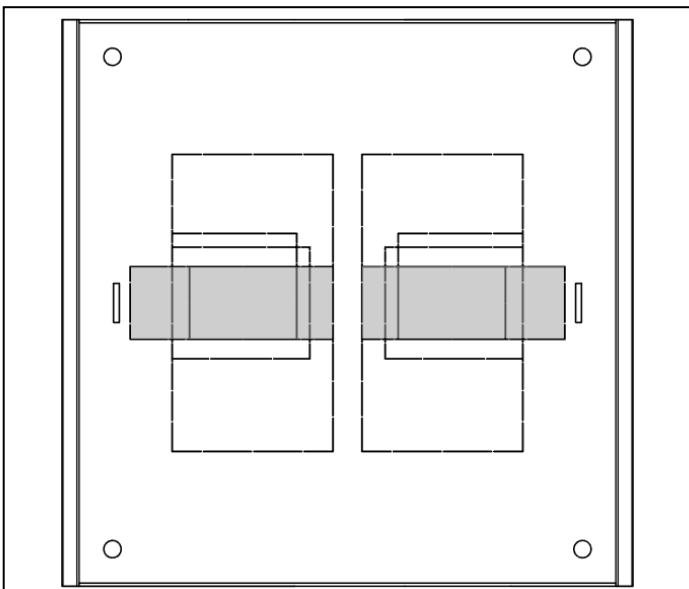
21 4x4 Escutcheon, NSXm 100-160 (Rotary)



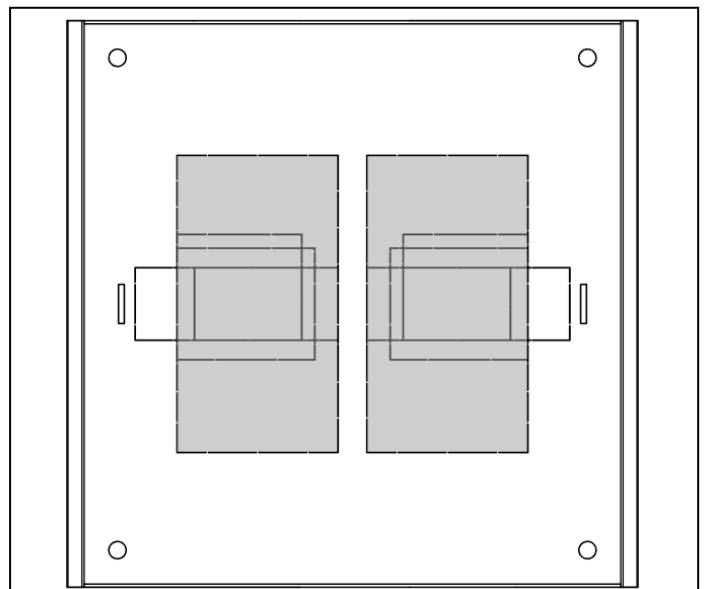
22 4x4 Escutcheon, NSX 100-250



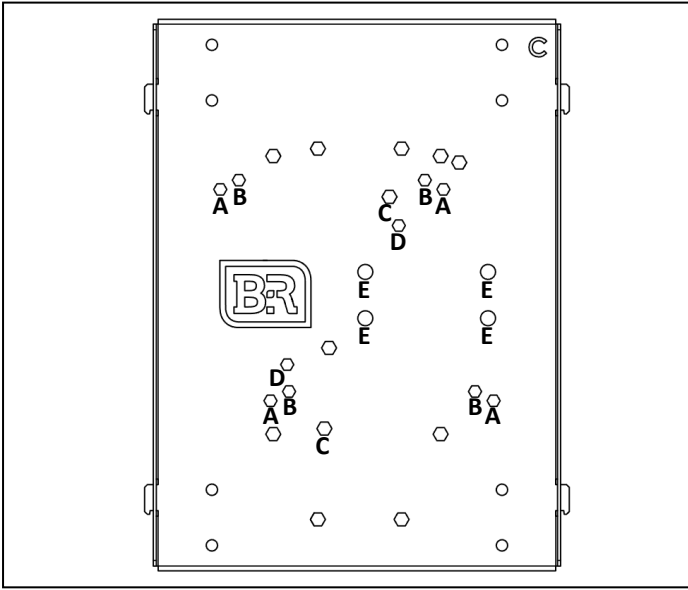
23 4x4 Escutcheon, INS100-160



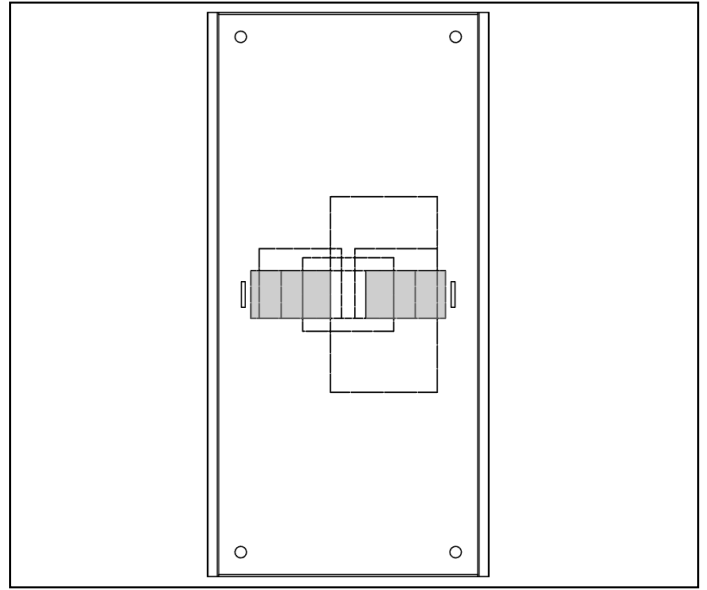
24 4x4 Escutcheon, FSD-00



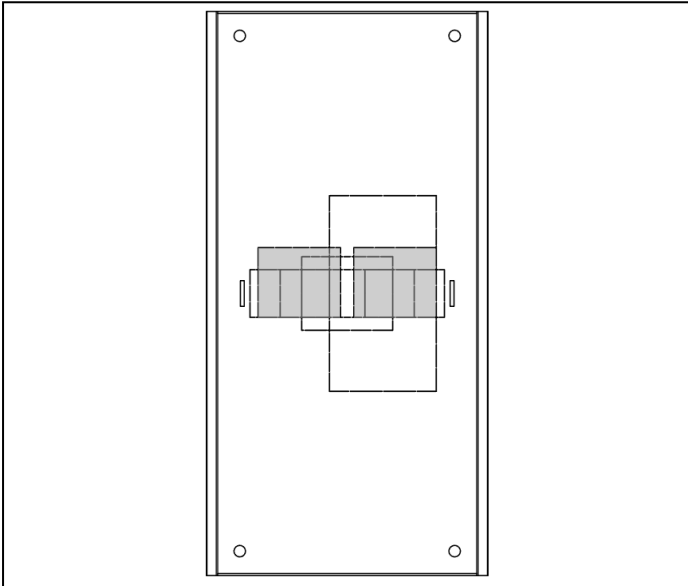
25 3x6 & 6x3 TGMCM*** Mounting Pan



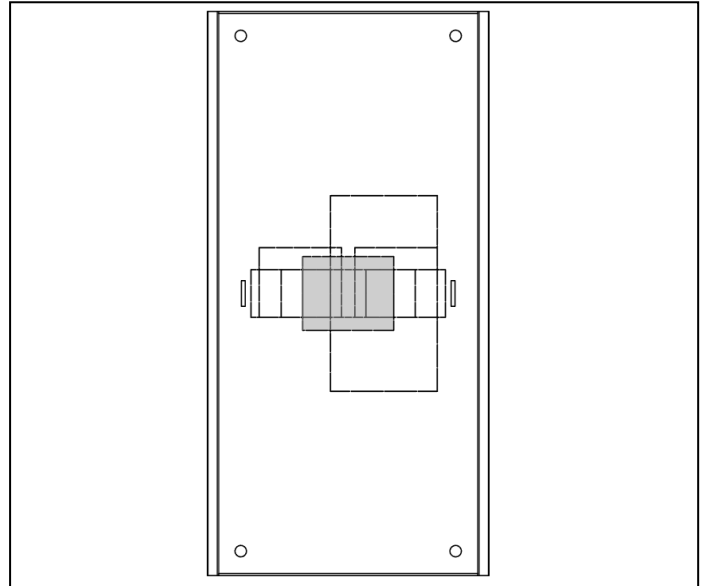
26 3x6 & 6x3 TGMCM*** Escutcheon, NSXm 100-160 (Toggle)



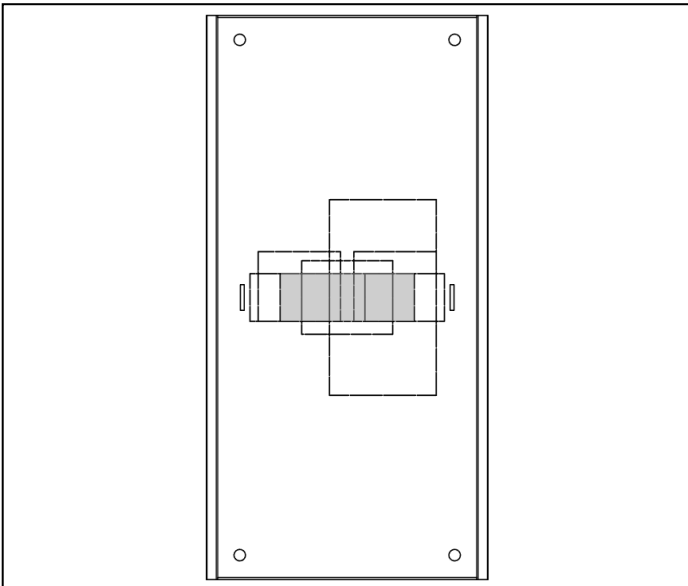
27 3x6 & 6x3 TGMCM*** Escutcheon, NSXm 100-160 (Rotary)



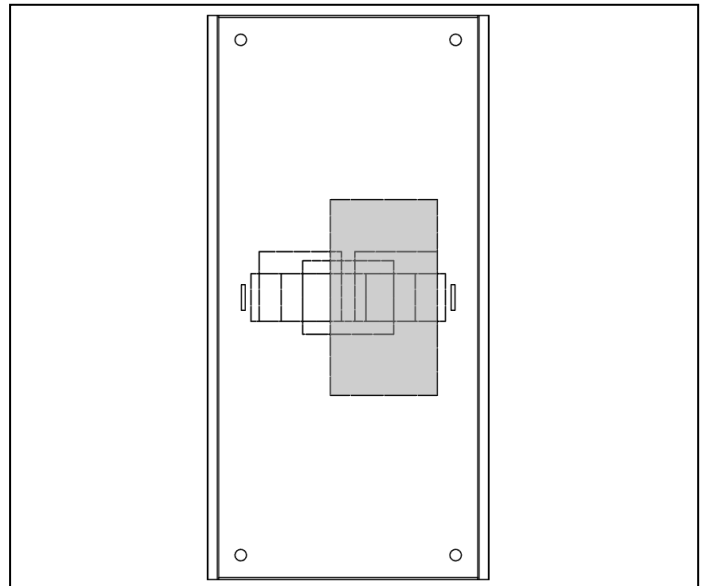
28 3x6 & 6x3 TGMCM*** Escutcheon, NSX 100-250



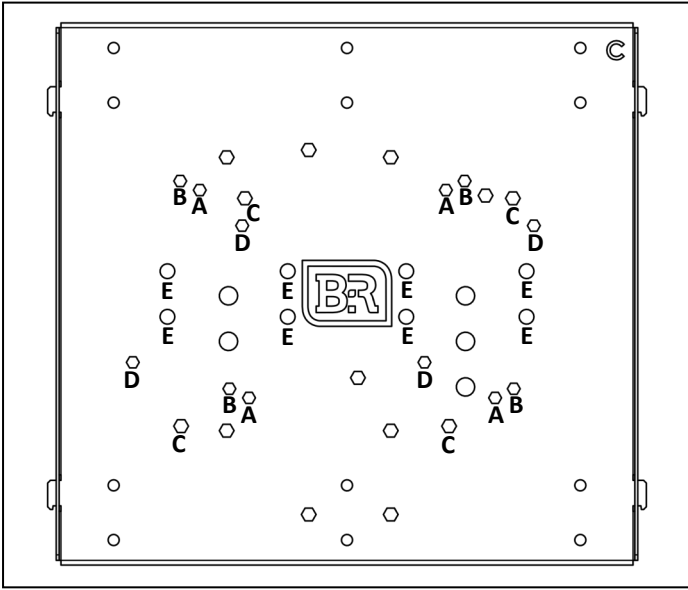
29 3x6 & 6x3 TGMCM*** Escutcheon, INS100-160



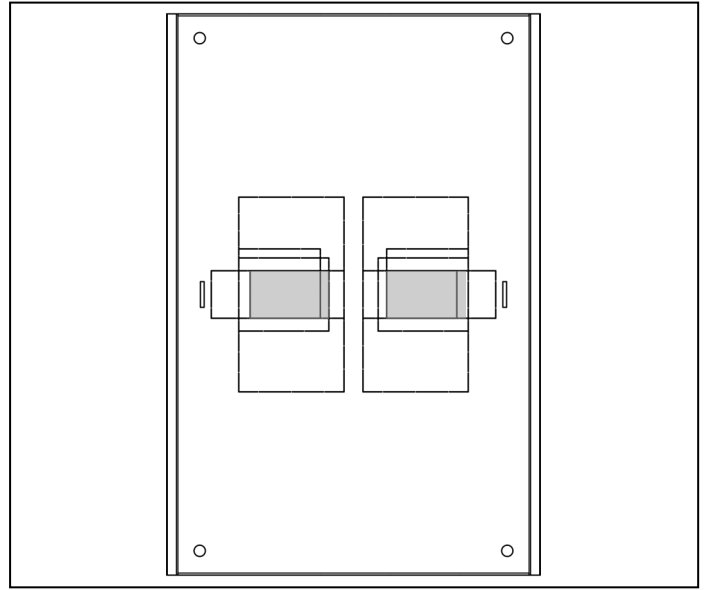
30 3x6 & 6x3 TGMCM*** Escutcheon, FSD-00



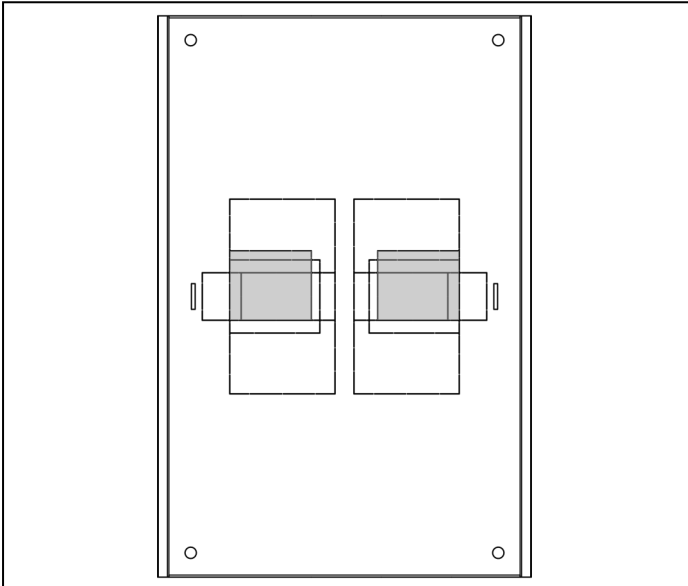
31 6x4 TGMCM*** Mounting Pan



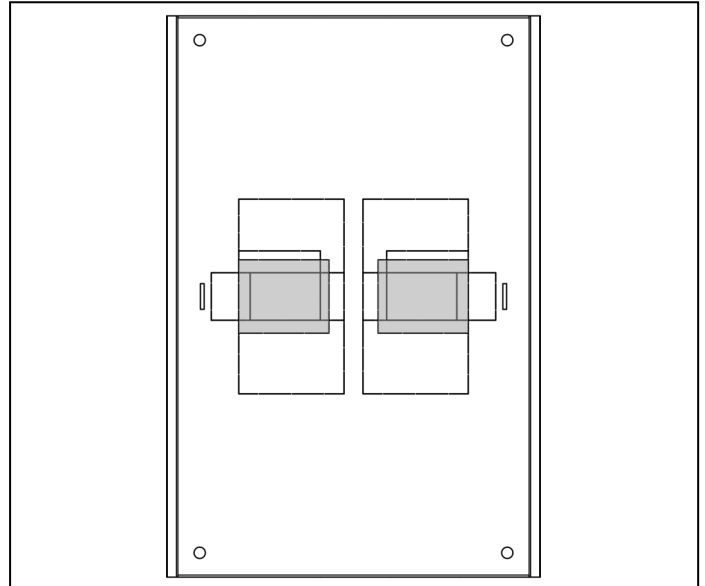
32 6x4 TGMCM*** Escutcheon, NSXm 100-160
(Toggle)



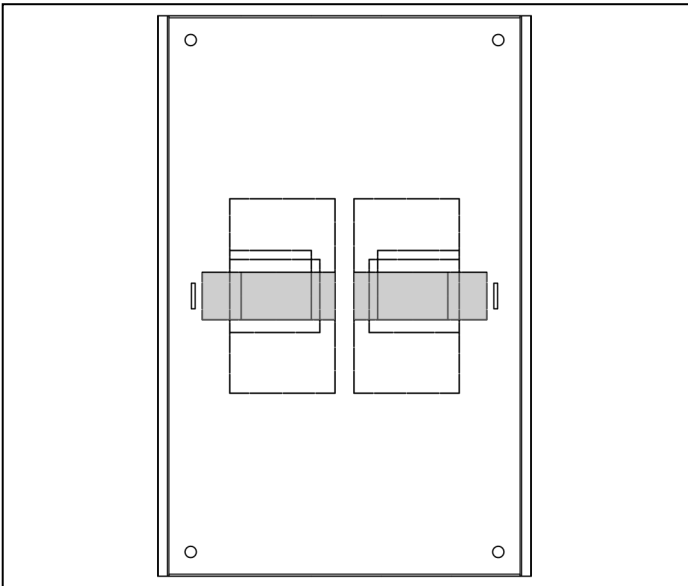
33 6x4 TGMCM*** Escutcheon, NSXm 100-160
(Rotary)



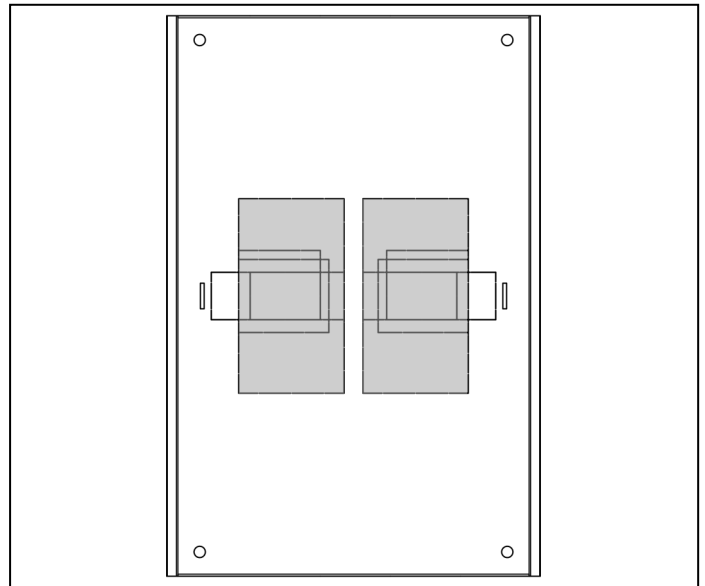
34 6x4 TGMCM*** Escutcheon, NSX 100-250



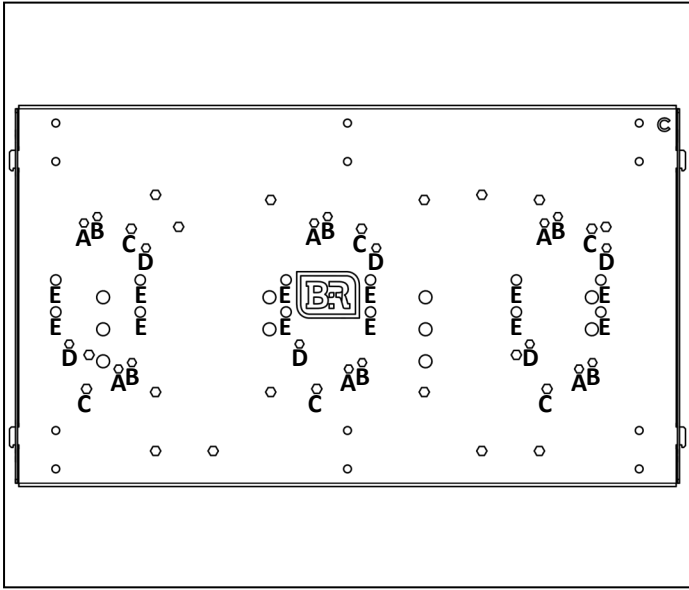
35 6x4 TGMCM*** Escutcheon, INS100-160



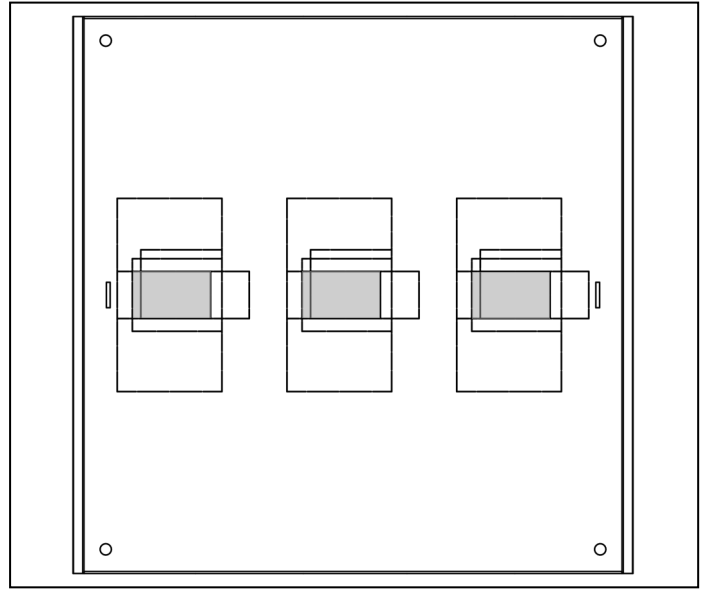
36 6x4 TGMCM*** Escutcheon, FSD-00



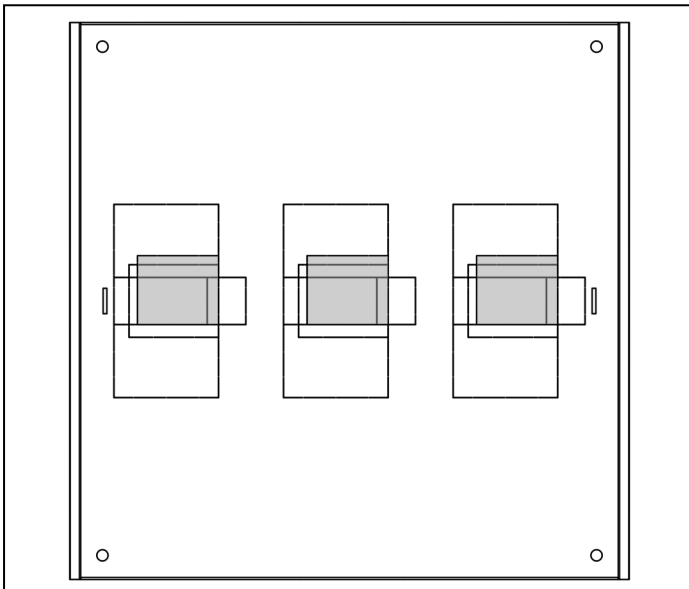
37 6x6 TGMCM*** Mounting Pan



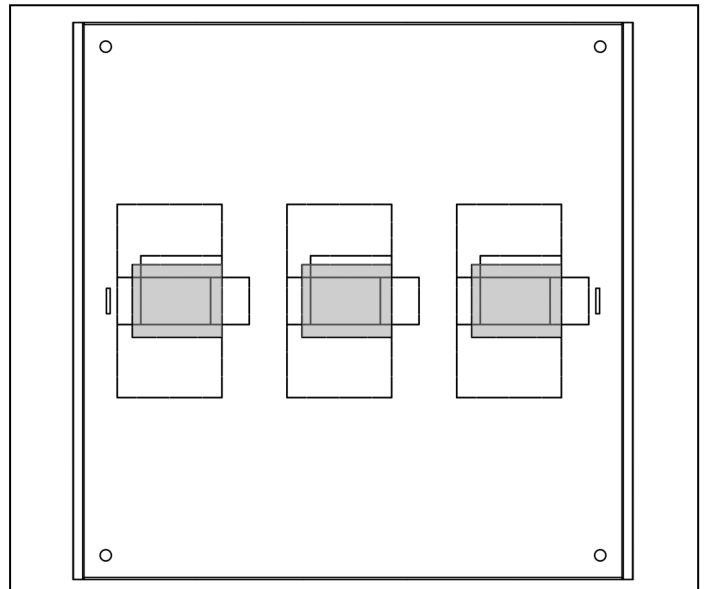
38 6x6 TGMCM*** Escutcheon, NSXm 100-160
(Toggle)



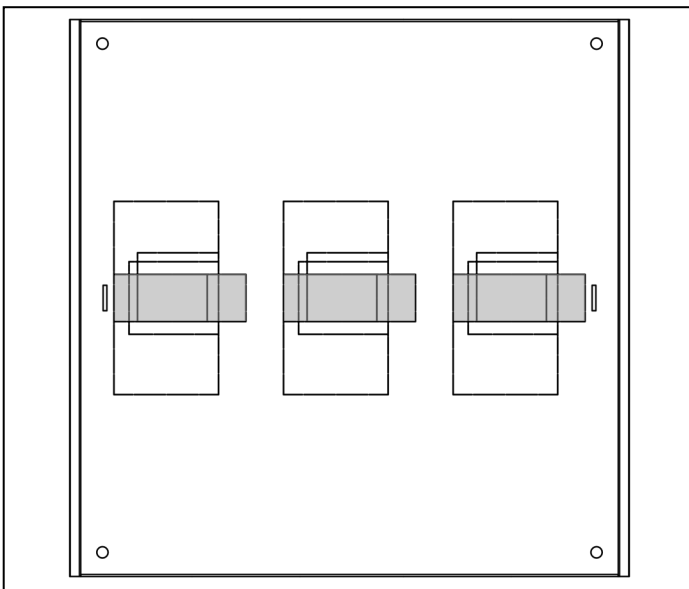
39 6x6 TGMCM*** Escutcheon, NSXm 100-160
(Rotary)



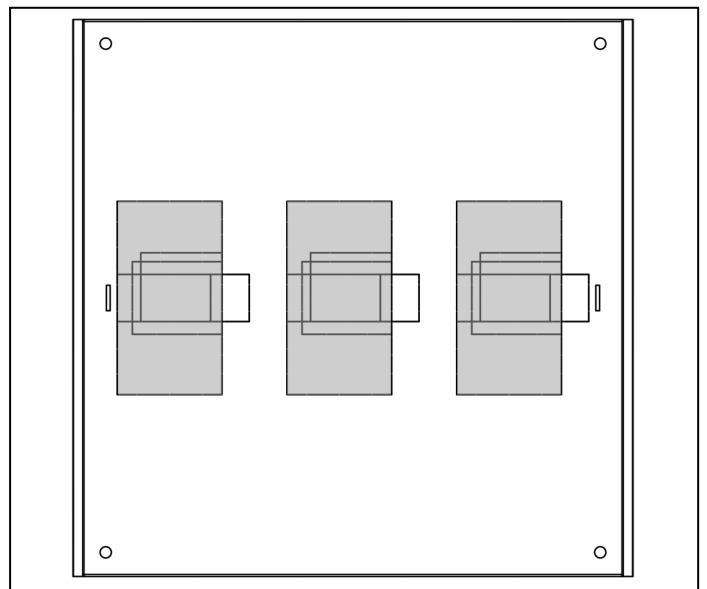
40 6x6 TGMCM*** Escutcheon, NSX 100-250



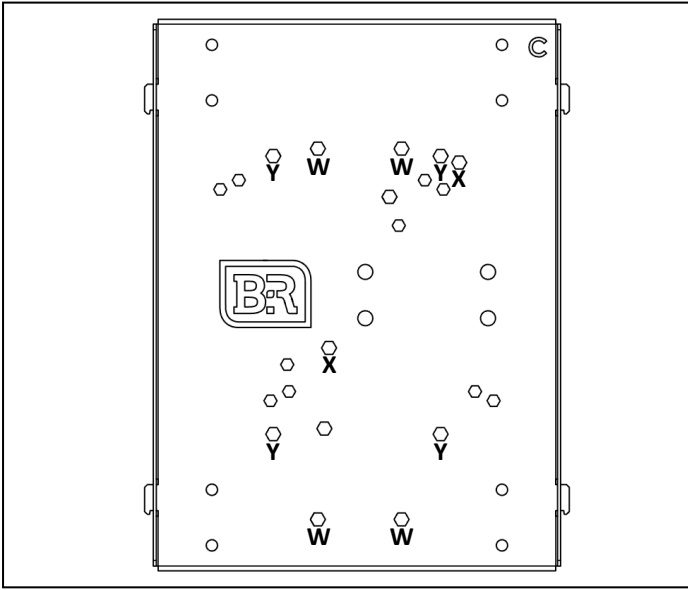
41 6x6 TGMCM*** Escutcheon, INS100-160



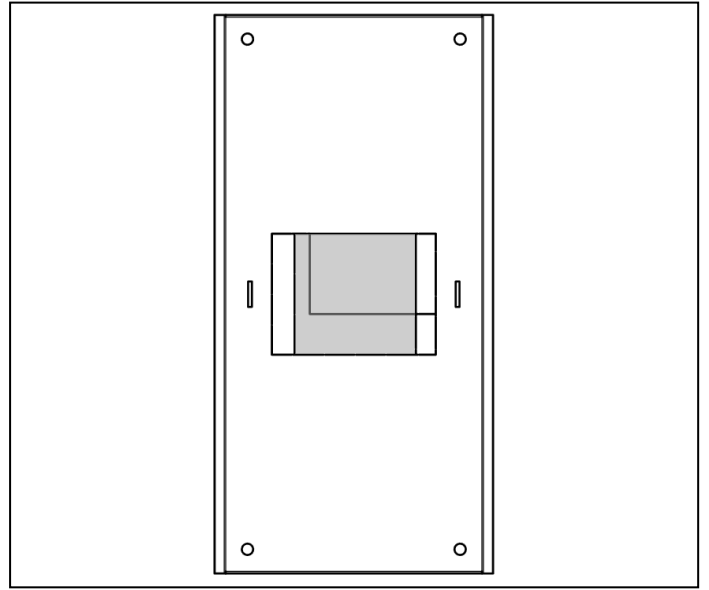
42 6x6 TGMCM*** Escutcheon, FSD-00



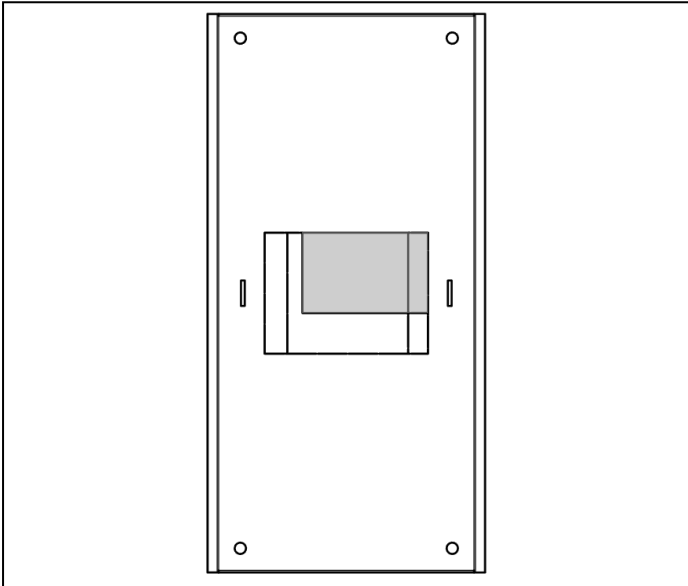
43 3x6 & 6x3 TGMCB*** Mounting Pan



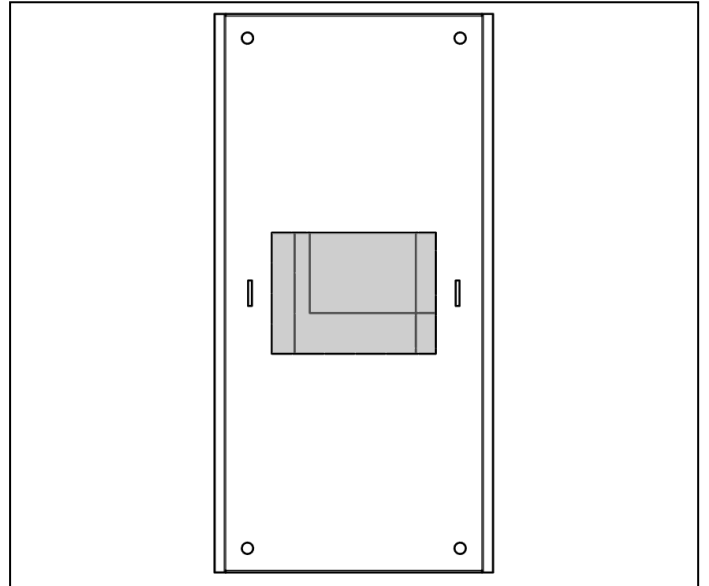
44 3x6 & 6x3 TGMCB*** Escutcheon, NSX 400-630



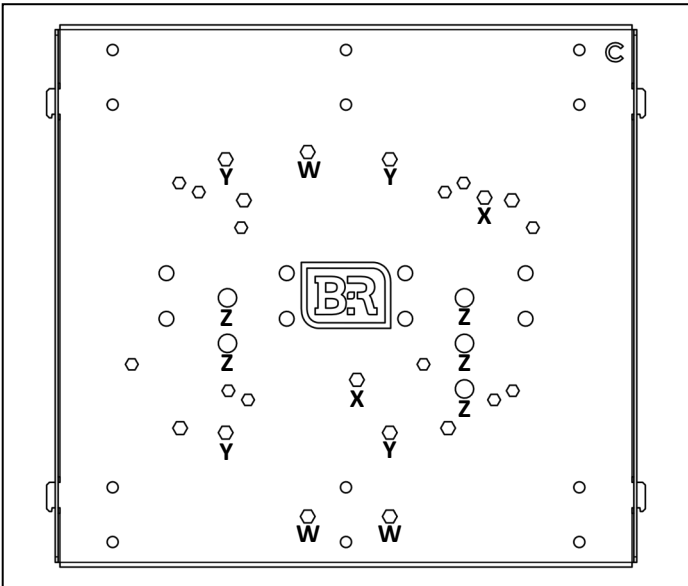
45 3x6 & 6x3 TGMCB*** Escutcheon, INS 160-250



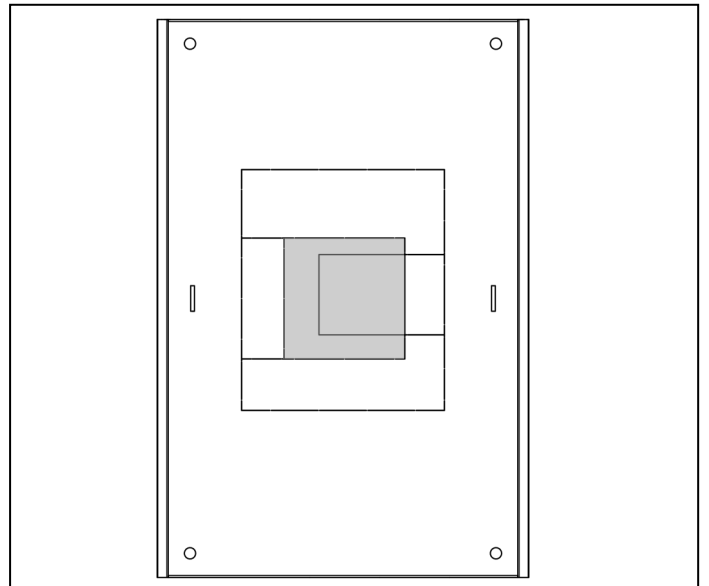
46 3x6 & 6x3 TGMCB*** Escutcheon, INS 320-630



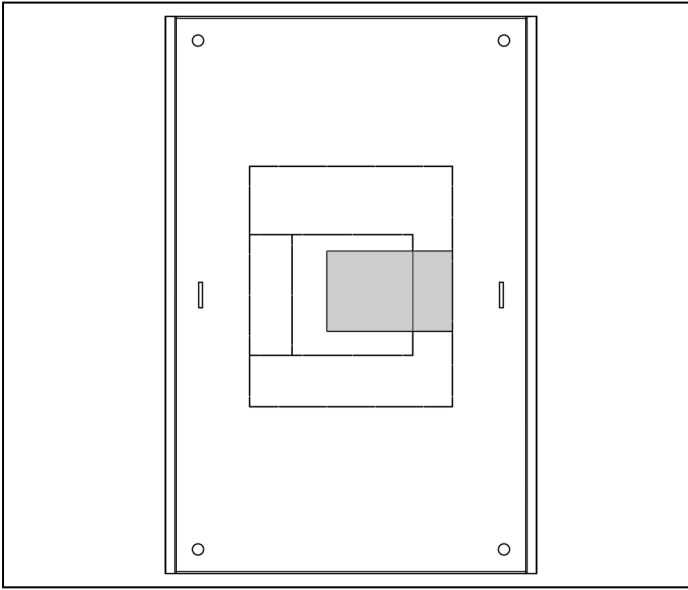
47 4x6 & 6x4 TGMCB*** Mounting Pan



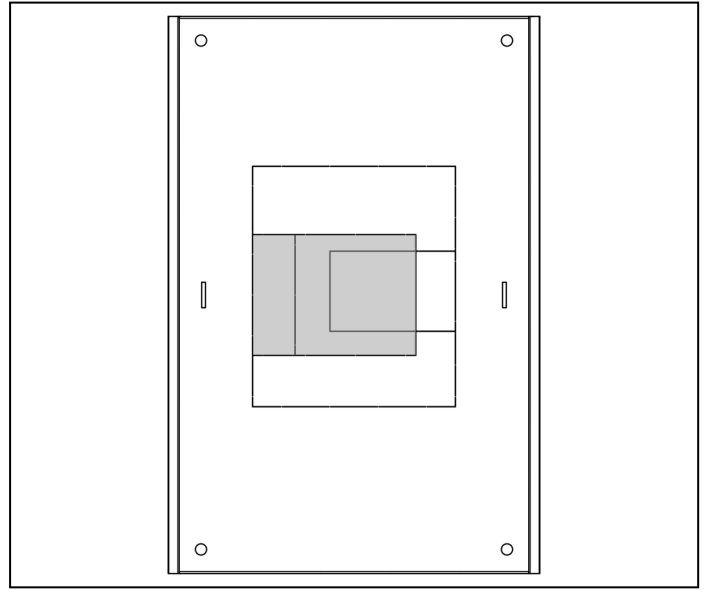
48 4x6 & 6x4 TGMCB*** Escutcheon, NSX 400-630



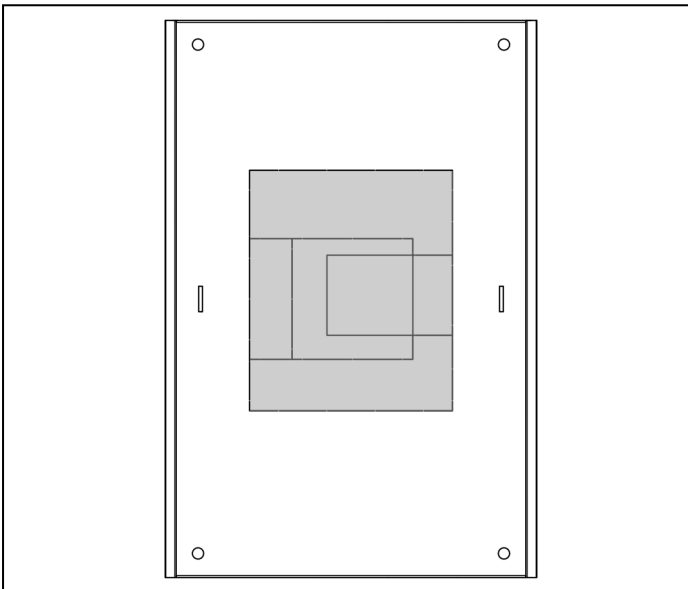
49 4x6 & 6x4 TGMCB*** Escutcheon, INS 160-250



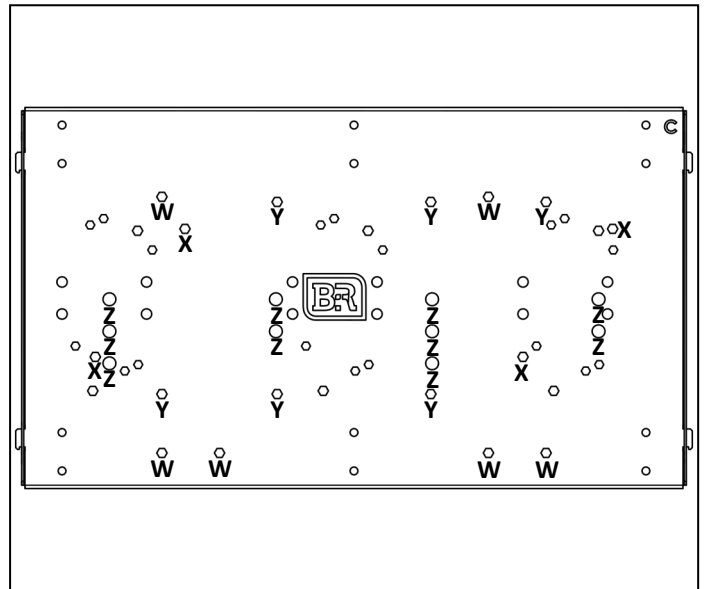
50 4x6 & 6x4 TGMCB*** Escutcheon, INS 320-630



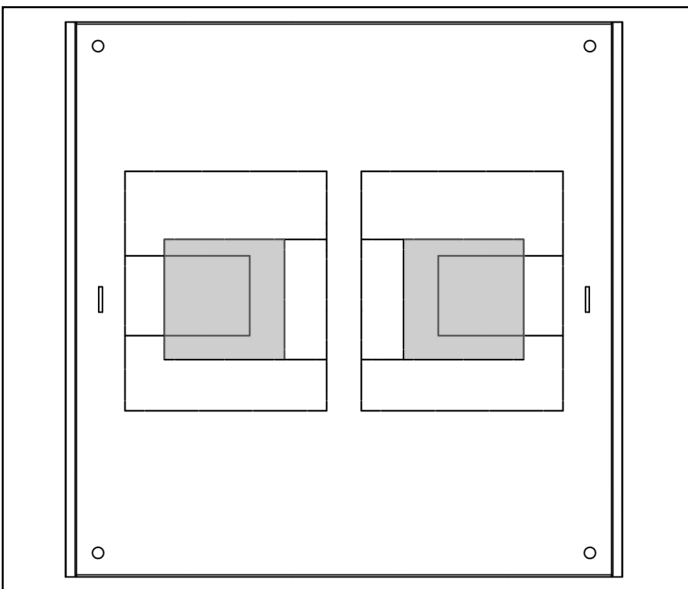
51 4x6 & 6x4 TGMCB*** Escutcheon, FSD-02



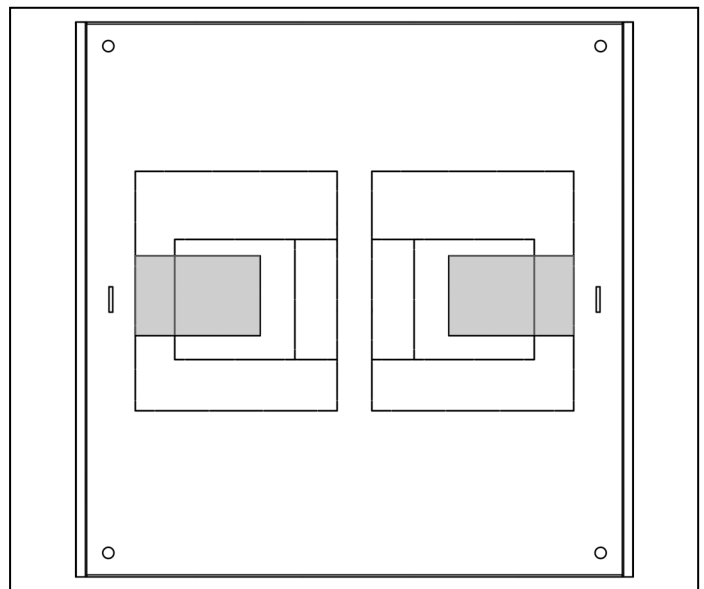
52 6x6 TGMCB*** Mounting Pan



53 6x6 TGMCB*** Escutcheon, NSX 400-630



54 6x6 TGMCB*** Escutcheon, INS 160-250



55 6x6 TGMCB*** Escutcheon, INS 320-630

56 6x6 TGMCB*** Escutcheon, FSD-02

