



- 30° sloping roof to prevent build up of water and solids.
- Fully enclosed 3-point locking system.
- Easy installation with top and bottom mounting flanges.
- Removable doors with pintle hinges.
- Door opening angle of 110° with door stay fitted.
- Lifting lugs conform to AS4991: Lifting Devices.
- One (1) tonne SWL on each lifting lug.
- Conformity, Approvals:
 - Lloyds Register #06/10007 (E2)
- Region D wind rated to AS1170.2-2002: Structural design actions - Wind actions
- Manufactured from 1.5mm 316 stainless steel.
- N4 surface finish.

Comes standard with:

- Sunshades – top, doors, sides and rear
- Full width steel rear mounting pan powdercoated white
- Stainless steel padlockable swing handle with LockSock®
- Door stays
- 3mm brass gland plate
- Door rails
- Earth strap kit



ORDERING GUIDE

Dimensions (mm)

Part Number	External			Total Height (D)	Total Width (E)	Total Depth (F)	Usable Depth (G)	Mounting Pan		Gland Opening		Mounting Centres		Opening		Weight* (kg)
	Height (A)	Width (B)	Depth (C)					Height (H)	Width (I)	Width (J)	Depth (K)	Height (L)	Width (M)	Height (N)	Width (O)	
LB100840/S^	1000	800	400	1368	896	502	324	930	730	640	210	1335	600	940	720	250.0
LB101040/S^	1000	1000	400	1368	1096	502	324	930	930	840	210	1335	800	940	920	300.0
LB101440/S	1000	1400	400	1368	1496	502	324	930	1330	540	210	1335	1320	940	1320	320.0

^ Single Door

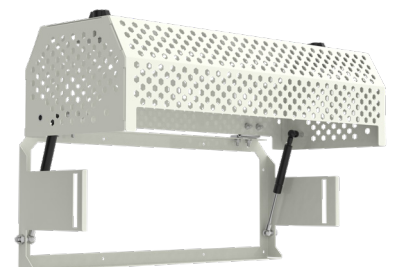
* Includes crate for safe transportation

ACCESSORIES

Product	Description	Part Number	Dimensions (mm)			LB100840/S	LB101040/S	LB101440/S
			Height	Width	Depth			
Side mounting pan	Powdercoated B33 Mist Blue	LBSMP1040	930	200	15	•	•	•
Power Case	Lockable	LBC221^	233	215	167	•	•	•
		LPC231 ^	233	315	167	•	•	•
		LPC261 ^	233	615	167	•	•	•
Gland Plate	6mm Aluminium - 2 required	LBGA62/6^	—	600	270			•
	6mm Aluminium - 1 required	LBGA72/6^	—	700	270	•		
	6mm Aluminium - 1 required	LBGA92/6^	—	900	270		•	

^ Available on request

» Require 2 gland plates per enclosure
All others require 1 gland plate per enclosure



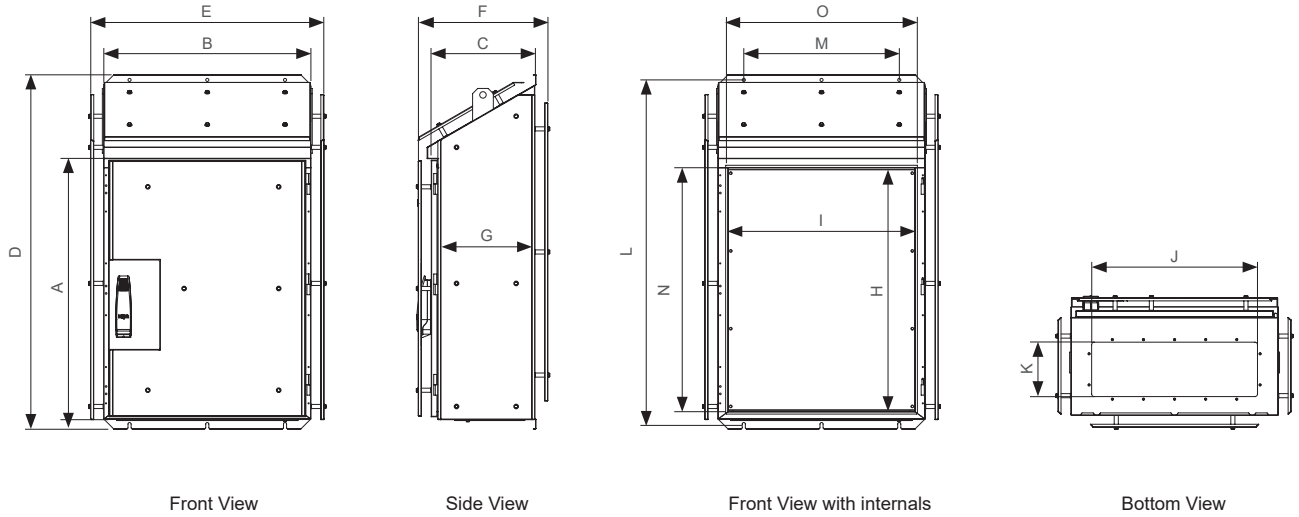
LPC261

Lambert LB

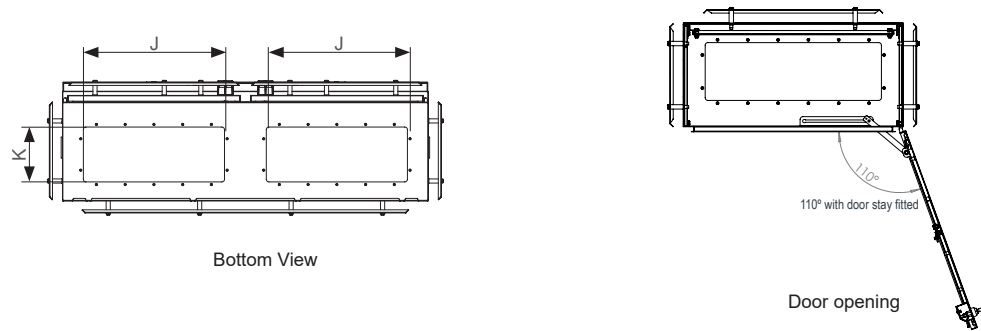
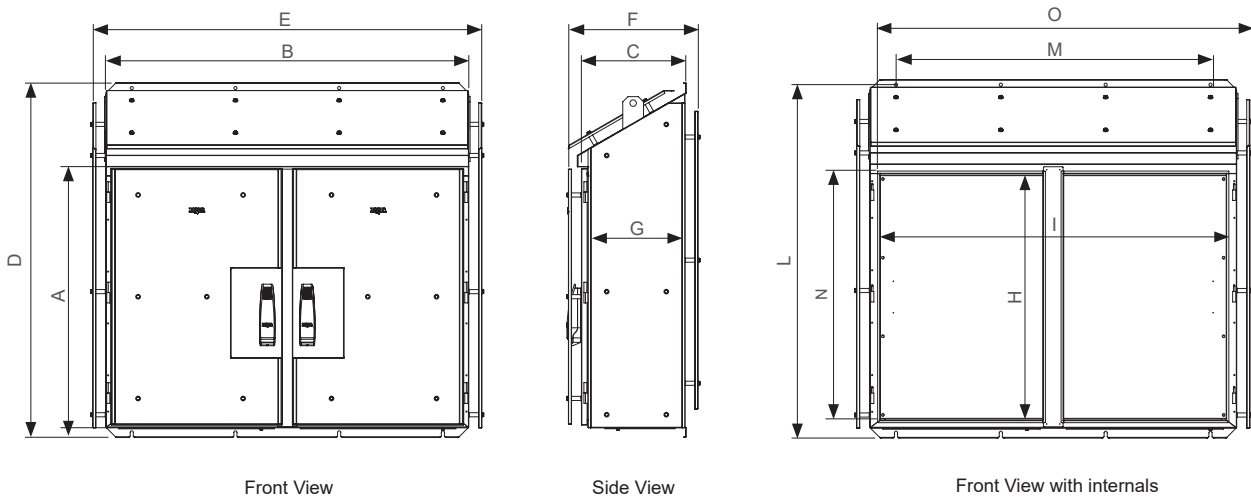
Sunshaded Mining Enclosures

TECHNICAL DRAWINGS

LB100840/S & LB101040/S



LB101440/S



Locks



Product	Description	Part Number	Standard Lock/Insert
Swing handle	padlockable – steel	SP/LCK	–
	padlockable – stainless steel	SP/LCK/S	–
LockSock®	plastic	SP/LCK/DC	To suit SP/LCK

