

Connector TE – Zinc Coated Steel

Termination Enclosures



- Suitable for housing terminations, push buttons or switchgear in industrial or demanding environments.
- Designed for installations where smaller enclosures are required.
- Captive 316 stainless steel combo head screws, used to prevent loss when fastening.
- Provision for mounting DIN rails or a mounting pan, increasing application flexibility.
- Conformity, Approvals:
 - Lloyds Register #06/10007 (E2)
 - Manufactured from 1.2mm zinc coated steel.
 - Powdercoated Pebble Grey RAL7032.

Comes standard with:

- Earth strap kit



TE2212

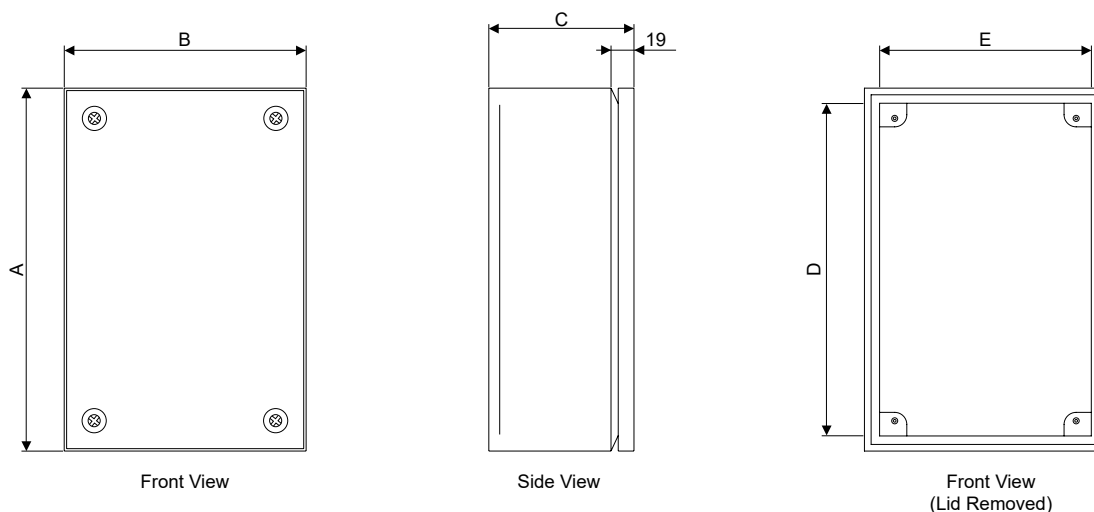
TE3112

ORDERING GUIDE

Part Number	Dimensions (mm)							
	External			Useable Depth		Opening Size		Weight (kg)
	Height (A)	Width (B)	Depth (C)	With DIN Rail*	With Mounting Pan*	Height (D)	Width (E)	
TE1108	150	150	80	47	60	125	125	1.2
TE3112	300	150	120	87	100	275	125	2.4
TE2212	200	200	120	87	100	175	175	2.2
TE3212	300	200	120	87	100	275	175	2.9
TE4212	400	200	120	87	100	375	175	3.6
TE6212	600	200	120	87	100	575	175	4.9

* Mounting pan and DIN rail are available as optional extra

TECHNICAL DRAWINGS



Connector TE – Zinc Coated Steel

Termination Enclosures

ACCESSORIES

Product	Description	Part Number	Dimensions (mm)		TE1108	TE3112	TE2212	TE3212	TE4212	TE6212
			Height	Width						
Mounting pan – metal (powdercoated white)	2mm	TEMP11	123	120	•					
		TEMP22	173	170			•			
		TEMP31	273	120		•				
		TEMP32	273	170				•		
		TEMP42	373	170					•	
		TEMP62	573	170						•
DIN Rail	Aluminium	TED1	140	35	•					
		TED2	190	35			•			
		TED3	290	35		•	•			
		TED4	390	35					•	
		TED6	590	35						•
Wall mounting brackets – 316 stainless steel	Set of 4 (1 Tonne SWL)	MEB/S	–	–	•	•	•	•	•	•
Touch up paint (300g)	Pebble Grey RAL7032	TUP/P20	–	–	•	•	•	•	•	•



TEMP22



TED2



MEB/S - Set of 4

Connector TE – 316 Stainless Steel

Termination Enclosures



- Suitable for housing terminations, pushbuttons or switchgear in industrial or demanding environments.
- Designed for installations where smaller enclosures are required.
- Captive 316 stainless steel combo head screws, used to prevent loss when fastening.
- Provision for mounting DIN rails or a mounting pan, increasing application flexibility.
- Conformity, Approvals:
 - Lloyds Register #06/10007 (E2)
 - Manufactured from 1.2mm 316 stainless steel.
 - Powdercoated N4 surface finish.

Comes standard with:

- Earth strap kit

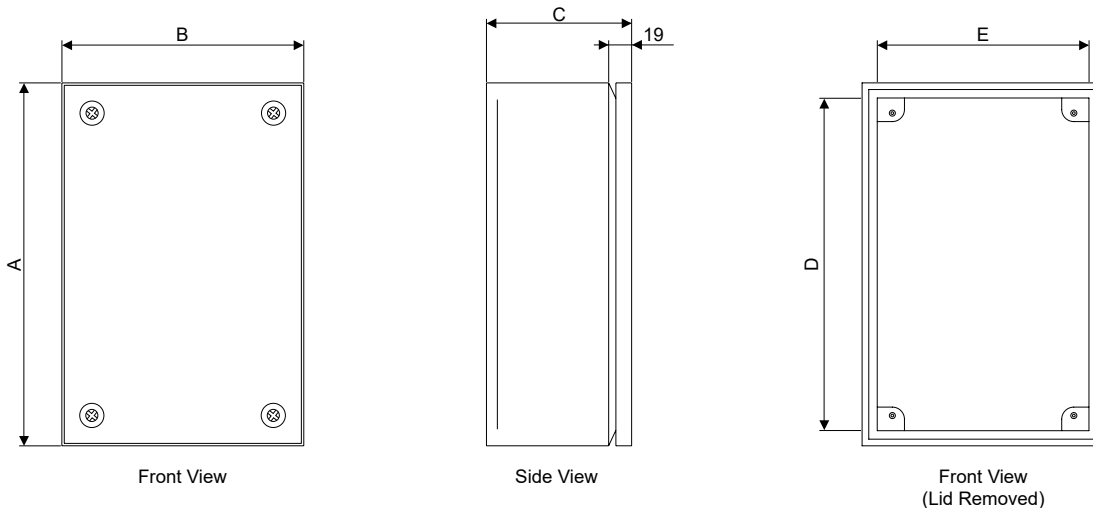


ORDERING GUIDE

Part Number	Dimensions (mm)							
	External			Useable Depth		Opening Size		Weight (kg)
	Height (A)	Width (B)	Depth (C)	With DIN Rail*	With Mounting Pan*	Height (D)	Width (E)	
TE1108/S	150	150	80	47	60	125	125	1.2
TE3112/S	300	150	120	87	100	275	125	2.4
TE2212/S	200	200	120	87	100	175	175	2.2
TE3212/S	300	200	120	87	100	275	175	2.9
TE4212/S	400	200	120	87	100	375	175	3.6
TE6212/S	600	200	120	87	100	575	175	4.9

* Mounting pan and DIN rail are available as optional extra

TECHNICAL DRAWINGS



Connector TE – 316 Stainless Steel

Termination Enclosures

ACCESSORIES

Product	Description	Part Number	Dimensions (mm)		TE108/S	TE3112/S	TE2212/S	TE3212/S	TE4212/S	TE6212/S
			Height	Width						
Mounting pan – 2mm (powdercoated white)	Metal	TEMP11	123	120	•					
		TEMP22	173	170			•			
		TEMP31	273	120		•				
		TEMP32	273	170				•		
		TEMP42	373	170					•	
		TEMP62	573	170						•
DIN Rail	Aluminium	TED1	140	35	•					
		TED2	190	35			•			
		TED3	290	35		•		•		
		TED4	390	35					•	
		TED6	590	35						•
Wall mounting brackets – 316 stainless steel	Set of 4 (1 Tonne SWL)	MEB/S	–	–	•	•	•	•	•	•



TEMP22



TED2



MEB/S - Set of 4