

Ausrack Cable Management - Horizontal



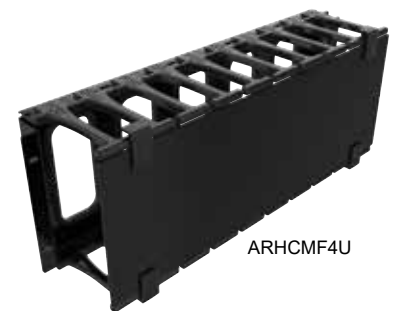
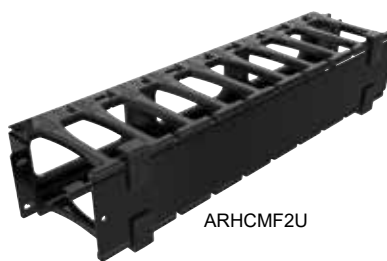
- Designed for use in high density cabling applications.
- Ausrack data cabinets are enhanced with the addition of vertical and horizontal cable management solutions.
- Products are sold as complete units.
- Powdercoated textured matte black.

ORDERING GUIDE

| Part Number | RU | Width (mm) | Depth (mm) | Description | To suit cabinets & frames |
|-------------|----|------------|------------|-------------|---------------------------|
|-------------|----|------------|------------|-------------|---------------------------|

Horizontal Cable Management

| | | | | | |
|-----------------------|---|-----|-----|---|---------------|
| ARHCMF1U | 1 | 480 | 125 | Mounts on equipment rails 90mm finger length | All 19" racks |
| ARHCMF2U | 2 | 480 | 125 | | |
| ARHCMF4U [▲] | 4 | 480 | 125 | | |



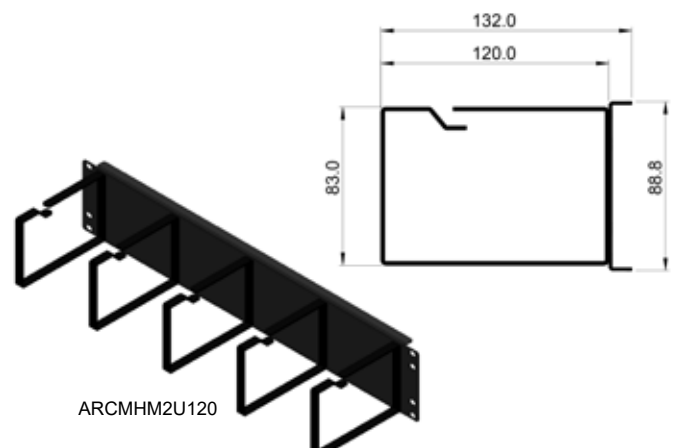
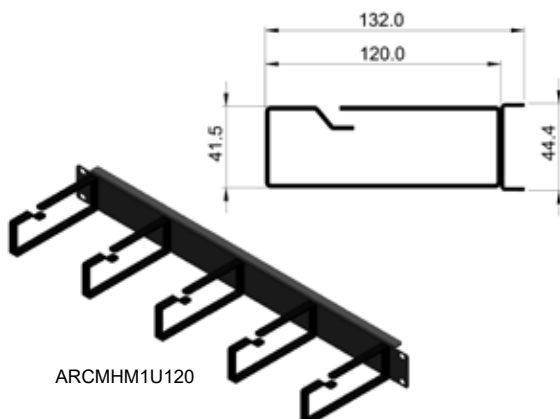
Horizontal Cable Management Extended Finger / Cover Pane

| | | | |
|------------------------|---|--|---------------|
| ARHCMFX1U [▲] | 1 | Extended finger 150mm finger length | All 19" racks |
| ARHCMFX2U [▲] | 2 | | |
| ARHCMFX4U [▲] | 4 | | |

Horizontal Cable Management Rings

| | | | |
|-------------|---|---------------------------|---------------|
| ARCMHM1U120 | 1 | Metal 120mm x 41.5mm ring | All 19" racks |
| ARCMHM2U120 | 2 | Metal 120mm x 83mm ring | |
| ARPCMH1U | 1 | 55mm x 30mm ring | |

▲ Available on request



Ausrack Cable Management - Horizontal

Cable Management - Horizontal

| Part Number | RU | Width (mm) | Depth (mm) | Description | To suit cabinets & frames |
|-------------------------------|----|------------|------------|--------------------------|--|
| Cable Management Rings | | | | | |
| ARPCMR2S | – | 161 | 96 | Single zone | Ausrack Plus, CQr Guardian, TxD, Patch, IP, Field FE & iLINQ |
| ARPCMR3S [▲] | – | 306 | 96 | Single zone [*] | Ausrack Plus (excluding 600mm frame) & Patch |
| ARPCMR3D [▲] | – | 306 | 250 | Two zone [*] | |

| | | | | | |
|--------------------------------|---|--|--|-----------------------------|--------------------------------|
| Cable Management Hanger | | | | | |
| ARPCMP24 | – | | | 24 patch lead hanger, 597mm | Stand alone product wall mount |

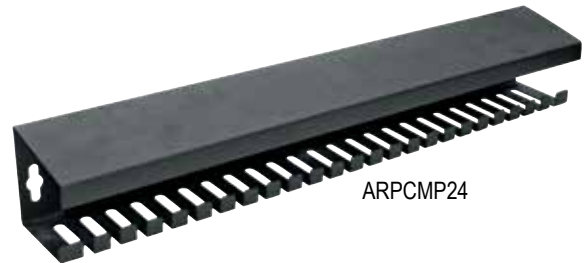
* Requires Cable Zone



ARPCMR2S



ARPCMR3S



ARPCMP24

Horizontal Cable Capacity

| | Cable Capacity | | | | | | |
|----------------------------|----------------|------|-------|------|-------|-----------|-----------|
| | Cat5e | Cat6 | Cat6e | Cat7 | Fibre | Power 10A | Power 15A |
| Diameter (mm) [#] | 5.6 | 6.3 | 8.4 | 7.6 | 3 | 7 | 8.5 |
| Saturation [*] | 50% | 50% | 50% | 50% | 60% | 40% | 40% |
| ARHCMF1U | 31 | 25 | 14 | 17 | 129 | 16 | 11 |
| ARHCMF2U | 99 | 79 | 44 | 54 | 414 | 51 | 35 |
| ARHCMF4U | 227 | 179 | 101 | 123 | 947 | 116 | 79 |
| ARPCMH2U | 46 | 36 | 20 | 26 | 188 | 24 | 16 |
| ARPCMR2S | 205 | 162 | 92 | 112 | 858 | 105 | 72 |
| ARPCMR3S | 431 | 340 | 192 | 234 | 1799 | 221 | 150 |
| ARPCMR3D | 1167 | 922 | 519 | 634 | 4877 | 598 | 405 |

Please Note: B&R Enclosures does not accept liability for any errors within the above table.

[#] These are nominal values for the OD of cable as sizes may vary.

^{*} Recommended maximum cable saturation.

Ausrack Cable Management - Vertical



| Part Number | RU | Width (mm) | Depth (mm) | Description | Mounting | To suit cabinets & frames (mm) |
|---|----|------------|------------|---|--|--------------------------------------|
| Vertical Cable Management System | | | | | | |
| ARVCMS40U10 | 40 | 100 | 165 | Cable zone required* U-Channel system with cable fingers, connection brackets and cover flaps 90mm finger length | Off posts or Horizontal mounting rails | Ausrack Plus, TxD, Patch, IP & iLINQ |
| ARVCMS45U10 | 45 | 100 | 165 | | | Ausrack Plus, TxD, Patch & iLINQ |
| ARVCMS40U20 [▲] | 40 | 200 | 165 | | | Ausrack Plus & Patch |
| ARVCMS45U20 [▲] | 45 | 200 | 165 | | | |
| ARVCMS40U150 [▲] | 40 | 150 | 198 | Cable zone required* U-Channel system with cable fingers, connection brackets and cover flaps | | |
| ARVCMS45U150 [▲] | 45 | 150 | 198 | | | |
| ARVCMSX40U10 [▲] | 40 | 100 | 250 | Cable zone required* Extended Finger 150mm finger length | | Ausrack Plus, TxD, Patch & iLINQ |
| ARVCMSX45U10 [▲] | 45 | 100 | 250 | | | |
| ARVCMSX40U20 [▲] | 40 | 200 | 250 | Cable zone required* Extended Finger | | Ausrack Plus & Patch |
| ARVCMSX45U20 [▲] | 45 | 200 | 250 | | | |



ARVCMS40U10



ARVCMSX40U20

*Cable Zone Requirements for Different Rack/Cabinet Widths

| Cabinet Width (mm) | Width of Cable Management System (mm) | Cable Zone Width Required (mm) |
|--------------------|---------------------------------------|--------------------------------|
| 600 | 100 | 100 or 200 |
| 600 | 150 | 200 |
| 600 | 200 | 200 |
| 800 | 100 | 100 |
| 800 | 150 | 100 |
| 800 | 200 | 100 |

Vertical Cable Capacity

| | Cable Capacity | | | | | | |
|----------------------------|----------------|------|-------|------|-------|-----------|-----------|
| | Cat5e | Cat6 | Cat6e | Cat7 | Fibre | Power 10A | Power 15A |
| Diameter (mm) [#] | 5.6 | 6.3 | 8.4 | 7.6 | 3 | 7 | 8.5 |
| Saturation [*] | 50% | 50% | 50% | 50% | 60% | 40% | 40% |
| ARVCMSxxU10 | 269 | 213 | 120 | 146 | 1125 | 138 | 94 |
| ARVCMSxxU20 | 597 | 472 | 266 | 324 | 2495 | 306 | 208 |

Please Note: B&R Enclosures does not accept liability for any errors within the above table.

[#] These are nominal values for the OD of cable as sizes may vary.

^{*} Recommended maximum cable saturation.

Ausrack Cable Management - Vertical

ORDERING GUIDE

| Part Number | RU | Width (mm) | Depth (mm) | Description | Mounting | To suit cabinets & frames (mm) |
|--|----|------------|------------|----------------------------|----------------------------|--------------------------------|
| Vertical Cable Management Fingers and Connection Bracket (90mm finger length) | | | | | | |
| ARVCMF40U | 40 | 15 | 180 | 2 sections (800mm + 889mm) | Outside of posts | Ausrack Plus |
| ARVCMF45U | 45 | 15 | 180 | 2 sections (2 x 978mm) | Outside of posts | |
| ARVCMF40UR [▲] | 40 | 20.5 | 122 | 2 sections (800mm + 889mm) | On L-shape equipment rails | TxD, IP & iLINQ |
| ARVCMF45UR | 45 | 20.5 | 122 | 2 sections (2 x 978mm) | On L-shape equipment rails | |
| ARVCMF45U200 | 45 | 200 | 198 | Cable zone required | | Ausrack Plus |

| | | | | | | |
|---|----|------|-----|-----------------|--|-----------------|
| Vertical Cable Management Extended Finger/ Cover Panel (150mm finger length) | | | | | | |
| ARVCMFX40U [▲] | 40 | 15 | 250 | Extended Finger | | Ausrack Plus |
| ARVCMFX45U [▲] | 45 | 15 | 250 | | | TxD, IP & iLINQ |
| ARVCMFX40UR [▲] | 40 | 20.5 | 250 | | | |
| ARVCMFX45UR [▲] | 45 | 20.2 | 250 | | | |

▲ Available on request



ARVCMF45U



ARVCMF45UR



ARVCMFX40UR