

Connector TEMF

Termination Enclosures with Mounting Flanges



- Suitable for housing terminations, pushbuttons or switchgear in industrial or demanding environments.
- Designed for applications where a smaller enclosure is required.
- Captive 316 stainless steel combo head screws to prevent loss when fastening.
- Provision for mounting DIN rails or a mounting pan, increasing application flexibility.
- Conformity, Approvals:
 - Lloyds Register #06/10007 (E2)
 - Region D wind rated to AS1170.2-2002: Structural design actions - Wind actions
 - Manufactured from 1.2mm 316 stainless steel.
 - N4 surface finish.

Comes standard with:

- Earth strap kit

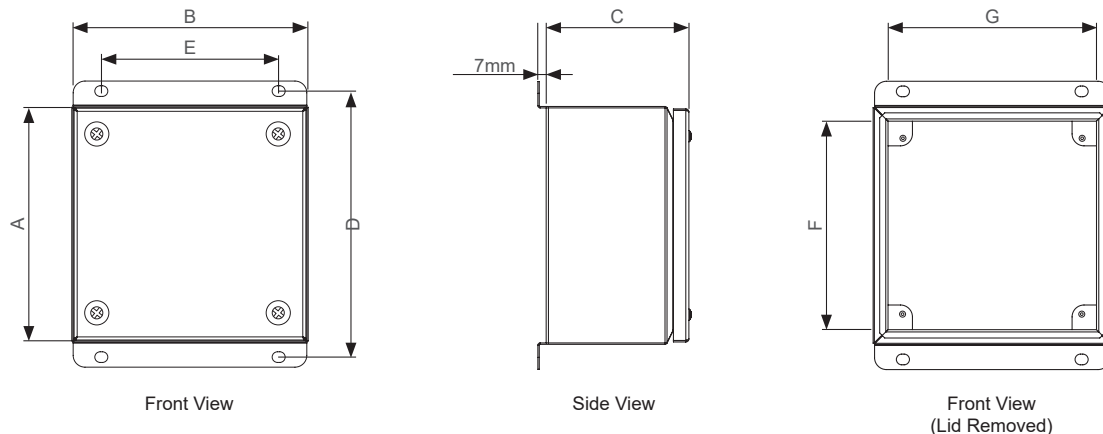


ORDERING GUIDE

Part Number	Dimensions (mm)									
	External			Useable Depth		Mounting Centres		Opening		Weight (kg)
	Height (A)	Width (B)	Depth (C)	With DIN Rail*	With Mounting Pan*	Height (D)	Width (E)	Height (F)	Width (G)	
TE1108MF/S	150	150	80	47	60	175	100	125	125	1.4
TE3112MF/S	300	150	120	87	100	325	100	275	125	2.6
TE2212MF/S	200	200	120	87	100	225	150	175	175	2.4
TE3212MF/S	300	200	120	87	100	325	150	275	175	3.1
TE4212MF/S	400	200	120	87	100	425	150	375	175	3.8
TE6212MF/S [▲]	600	200	120	87	100	625	150	575	175	5.0

* Mounting pan and DIN rail are an optional extra
 ▲ Available on request

TECHNICAL DRAWINGS



Connector TEMF

Termination Enclosures with Mounting Flanges

ACCESSORIES

Product	Description	Part Number	Dimensions (mm)		TE1108MF/S	TE3112MF/S	TE2212MF/S	TE3212MF/S	TE4212MF/S	TE6212MF/S
			Height	Width						
Mounting pan – 2mm (powdercoated white)	Metal	TEMP11	123	120	•					
		TEMP22	173	170			•			
		TEMP31	273	120		•				
		TEMP32	273	170				•		
		TEMP42	373	170					•	
		TEMP62	573	170						•
DIN Rail	Aluminium	TED1	140	35	•					
		TED2	190	35			•			
		TED3	290	35		•		•		
		TED4	390	35					•	
		TED6	590	35						•



TEMP22



TED2