



Ausrack Wall Lite

Light Duty 19" Wall Cabinets

Index

[Dimension Sheet](#)

[Catalogue Information](#)

[Leaflet](#)

Web Links

[Ausrack Wall Lite Information Page](#)

[Ask a question / Send us an enquiry](#)

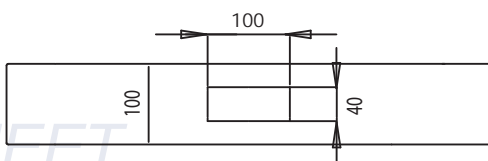
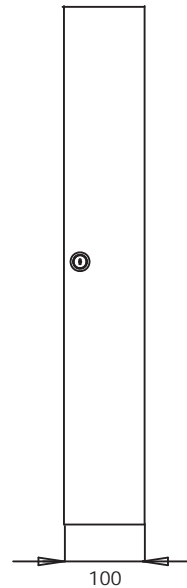
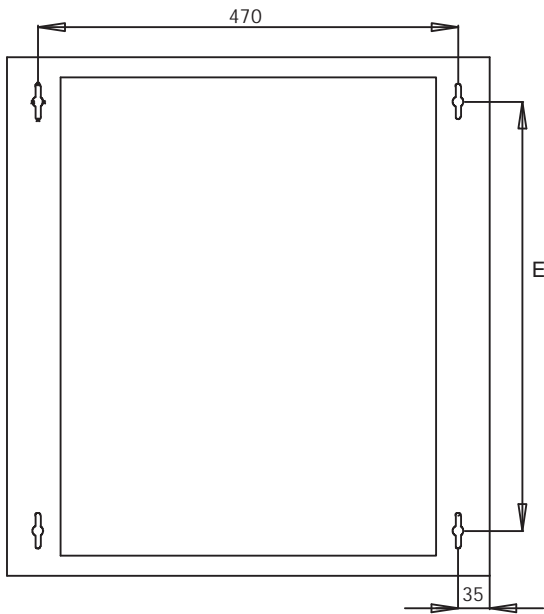
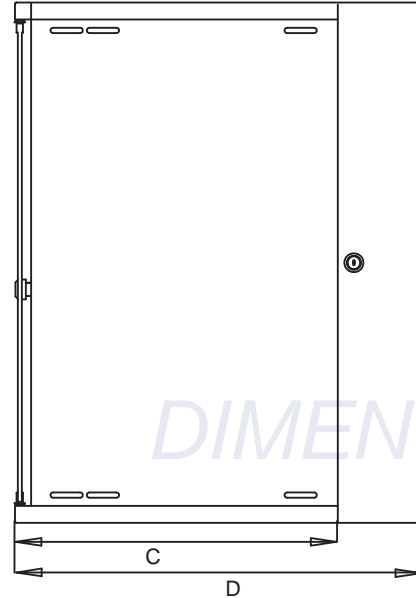
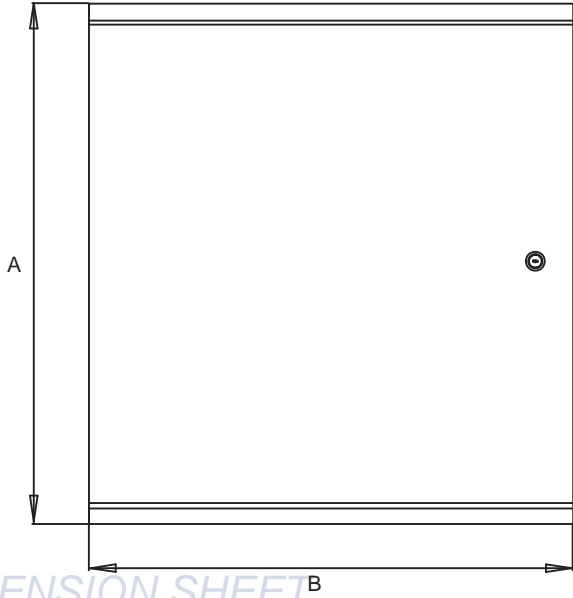
[Information about B&R](#)

[Local Sales Team Phone Numbers](#)



DIMENSION SHEET

AUSRACK WALL LITE



Catalogue Number	External Dimensions				Mounting Centres
	A	B	C	D	E
ARWL6U450	312	540	450	550	212
ARWL9U450	446	540	450	550	346
ARWL12U450	580	540	450	550	480
ARWL15U450	715	540	450	550	615



brenclosures.com.au/arwl.htm



Ausrack Wall Lite Cabinet Features

- Light duty wall cabinet complete with swing frame and cantilever shelf
- Load bearing capacity - to be confirmed
- Adjustable rails
- Specifications EIA 301-D
- Materials
 - Body - zinc coated steel
 - Body thickness - 1.2/1.6 mm
- Surface finish - powdercoated
- Released in Q4, 2009

Ausrack Wall Lite enclosures are a low-cost, light duty range of wall mount cabinets for use for small networking

applications such as housing patch panels and small network equipment, such as modems and routers.

Inclusions

Lift off hinged rear door, 2 movable rails, key locks front and rear, cantilever shelf.

Ausrack Wall Lite Selection Guide

Catalogue No	RU	Dimensions (mm)		Enclosure Depth (mm)	Total Depth (mm)*
		Height	Width		
ARWL6U450	6	312	540	450	550
ARWL9U450	9	446	540	450	550
ARWL12U450	12	580	540	450	550
ARWL15U450	15	715	540	450	550

* Includes depth of swing frame (100 mm)

Ausrack Wall Lite Accessories

Product	Description	Catalogue No	ARWL6U450	ARWL9U450	ARWL12U450	ARWL15U450
Shelves	cantilever 2RU high x 210 dp	AR350CS	•	•	•	•
	cantilever 2RU high x 360 dp	AR450CS				•
Power rails - horizontal (10A outlets only)	5 outlets, 10A plug	ARPH5W10	•	•	•	•
	5 outlets, 15A plug	ARPH5W15	•	•	•	•
	10 outlets, 10A plug	ARPH10W10	•	•	•	•
	10 outlets, 15A plug	ARPH10W15	•	•	•	•

Introduction

General Purpose

Special Purpose

Multiple Application

Datacoms

Ancillary Items

Enclosure Selection



AUSRACK WALL LITE



DATA &
COMMUNICATIONS



Ausrack Wall Lite enclosures are a low-cost, light duty range of wall mount cabinets for use for small networking applications such as housing patch panels and small network equipment.

The Ausrack Wall Lite is perfect for easy installation and provides maximum accessibility for maintenance. Complete with rear swing frame, allowing easy access to the rear of the enclosure with equipment installed.

The Ausrack Wall Lite has all the features required for small networking applications, including adjustable 19" rails, and a cantilever shelf, at a budget sensitive price.

The cabinets are made from robust steel, with a highly durable textured powdercoat finish in a neutral colour to suit an office environment.

The addition of this range of low cost models with heights of 6,9,12,15RU, ensures B&R has a wall cabinet to suit all applications.

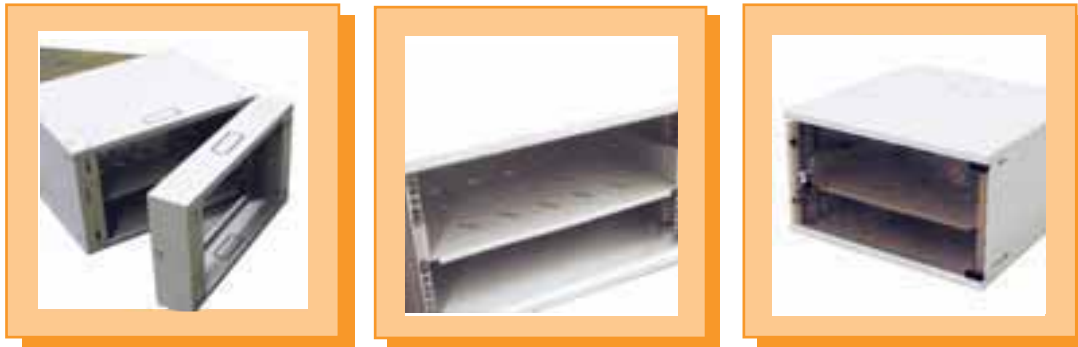
Contact your local B&R office for details
www.brenclosures.com.au

TECHNICAL INFORMATION

The Ausrack Wall Lite includes provision for cable entries on the top and bottom of the rear swing frame. All cabinets have two equipment mounting rails, and include a cantilever shelf.

Model	Height (RU)	Dimensions (mm)			
		Height	Width	Enclosure Depth	Total Depth*
ARWL6U450	6	312	540	450	550
ARWL9U450	9	446	540	450	550
ARWL12U450	12	580	540	450	550
ARWL15U450	15	715	540	450	550

*Includes depth of swing frame (100mm)



SPECIAL FEATURES

The Ausrack Wall Lite is a result of extensive market research and testing. The special features we have incorporated as part of the range include:

- Robust construction
- High quality finish - textured light grey
- Safety glass door for maximum viewing of equipment
- 450mm deep enclosure body
- Rear swing frame
- Adjustable rails

ACCESSORIES GUIDE

RU	Depth (mm)	Accessories		
		Shelves	Power Rail	
		Cantilever	5 Outlet	10 Outlet
6, 9, 12, 15	450	std	•	•

This product can also fit a range of accessories from the Ausrack Wall range. Please request a copy of our Data & Communications Catalogue, for more information on the Ausrack Wall accessories and other B&R products.



SALES OFFICES

Queensland (Brisbane)
Ph 07 3714 1000

Queensland (Townsville)
Ph 07 4775 6255

New South Wales (Sydney)
Ph 02 9687 0077

New South Wales (Newcastle)
Ph 02 4961 4433

Victoria (Melbourne)
Ph 03 8588 8400

South Australia (Adelaide)
Ph 08 8243 1166

Western Australia (Perth)
Ph 08 9248 9744

Tasmania (Launceston)
Ph 03 6331 5545

Northern Territory (Darwin)
Ph 08 8947 0870