



## Ausrack Wall 19" Wall Mounted Cabinets

### Index

[Dimension Sheet](#)

[Catalogue Information](#)

[Leaflet](#)

### Web Links

[Ausrack Wall Information Page](#)

[Ask a question / Send us an enquiry](#)

[Information about B&R](#)

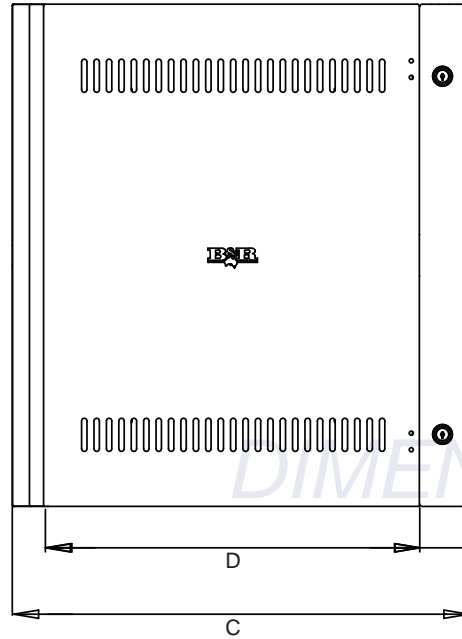
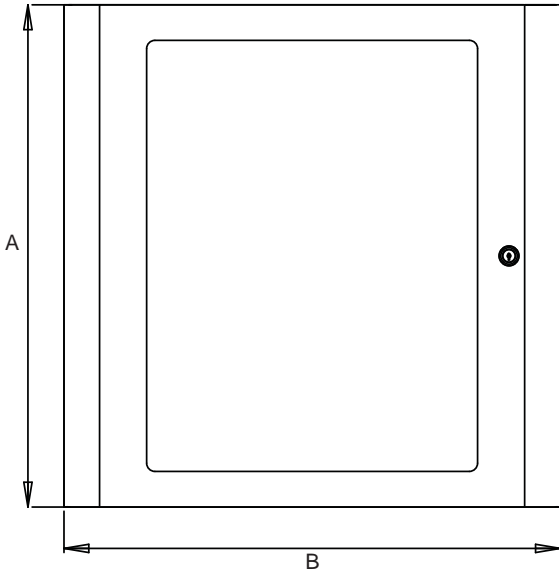
[Local Sales Team Phone Numbers](#)



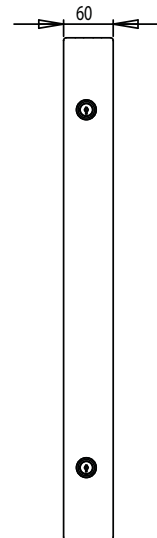
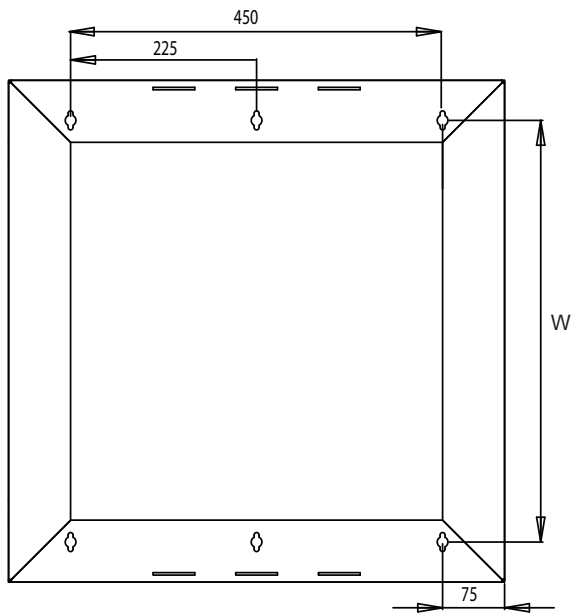
DIMENSION SHEET

# AUSRACK WALL

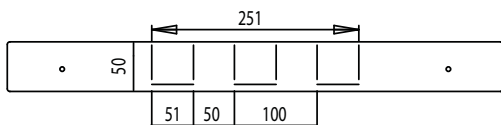
## 6U and 12U dimensions



DIMENSION SHEET



DIMENSION SHEET



Catalogue Number	External Dimensions				Mounting Centres
	A	B	C	D	
ARW6U250	340	600	350	250	250
ARW6U350	340	600	450	350	250
ARW6U450	340	600	550	450	250
ARW6U600	340	600	700	600	250
ARW12U250	607	600	350	250	510
ARW12U350	607	600	450	350	510
ARW12U450	607	600	550	450	510
ARW12U600	607	600	700	600	510

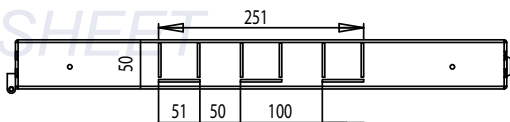
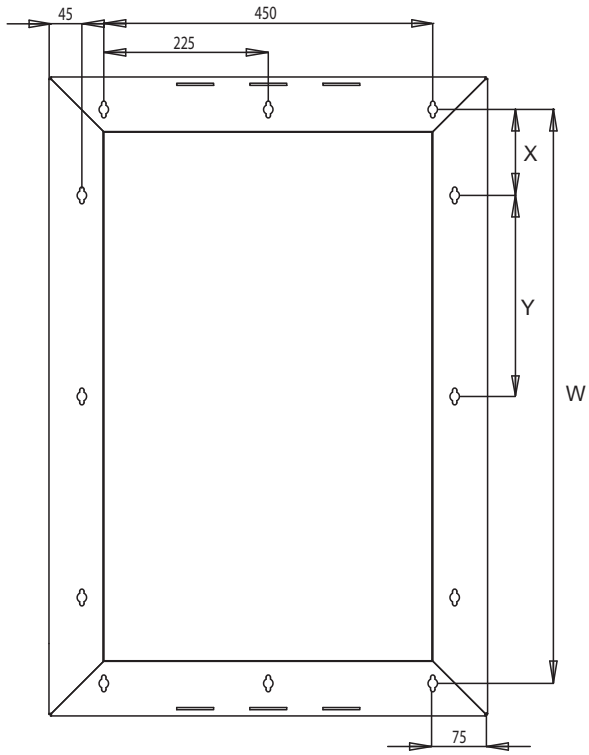
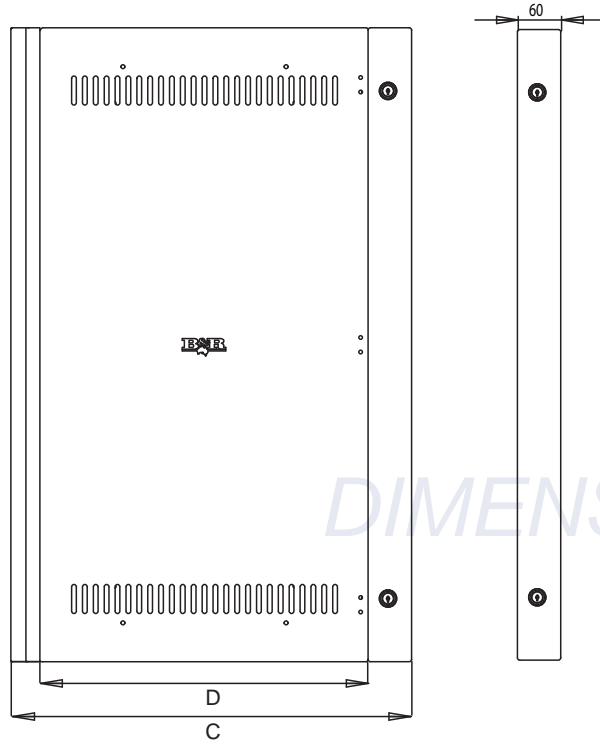
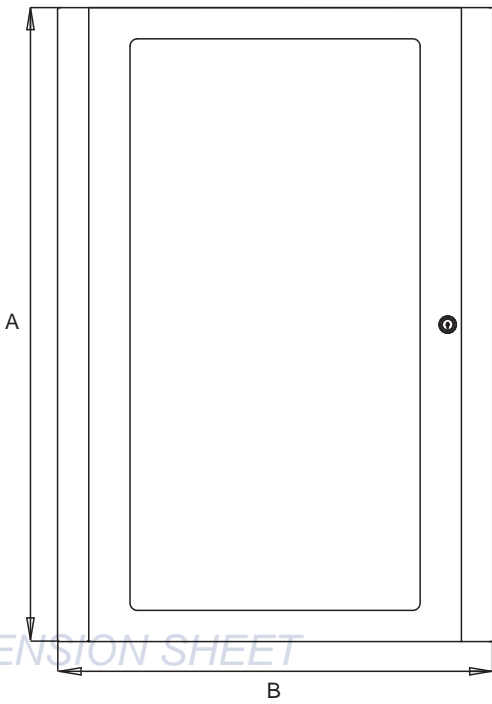
ON SHEET



DIMENSION SHEET

# AUSRACK WALL

## 18U and 24U dimensions



Catalogue Number	External Dimensions				Mounting Centres		
	A	B	C	D	W	X	Y
ARW18U350	874	600	450	350	785	117.5	275
ARW18U450	874	600	550	450	785	117.5	275
ARW18U600	874	600	700	600	785	117.5	275
ARW24U350	1141	600	450	350	1051	116	410
ARW24U450	1141	600	550	450	1051	116	410
ARW24U600	1141	600	700	600	1051	116	410



# Ausrack Wall 19" Wall Mounted Cabinets

brenclosures.com.au/arw.htm



## Ausrack Wall Cabinet Features

- Robust construction
- Enclosure body depths of 250, 350, 450 and 600mm
- Bevel door with maximum viewing window
- Specifications  
EIA 310-D
- Materials  
Body - zinc coated steel  
Body thickness - 1.2mm  
Frame thickness - 2mm
- Surface finish - powdercoat

Ausrack Wall 19" cabinets are robust, cost effective and used for the housing of patch panels, and network equipment, where floor space is at a premium.

Enhanced for strength, the Ausrack Wall cabinet now has the capacity for more equipment while maintaining integrity and performance.

### Inclusions

2 movable rails, key locks front and rear (if applicable), 2 keys.

## Ausrack Wall Selection Guide

Catalogue No	RU	Dimensions (mm)				Load Capacity (kg)	Equipment Rails
		Height	Width	Depth	Total Depth*		
ARW6U250	6	340	600	250	350	24	2
ARW6U350	6	340	600	350	450	24	2
ARW6U450	6	340	600	450	550	24	2
ARW6U600	6	340	600	600	700	24	4
ARW12U250	12	607	600	250	350	48	2
ARW12U350	12	607	600	350	450	48	2
ARW12U450	12	607	600	450	550	48	2
ARW12U600	12	607	600	600	700	48	4
ARW18U350	18	874	600	350	450	72	4
ARW18U450	18	874	600	450	550	72	4
ARW18U600	18	874	600	600	700	72	4
ARW24U350	24	1141	600	350	450	96	4
ARW24U450	24	1141	600	450	550	96	4
ARW24U600	24	1141	600	600	700	96	4

## Ausrack Wall Accessories

Product	Description	Catalogue No	ARW6U250	ARW6U350	ARW6U450	ARW6U600	ARW12U250	ARW12U350	ARW12U450	ARW12U600	ARW18U350	ARW18U450	ARW18U600	ARW24U350	ARW24U450	ARW24U600
Shelves	fixed 1RU high x 250 deep	ARW250FS		•	•	•		•	•	•	•	•	•	•	•	•
	fixed 1RU high x 350 deep	ARW350FS			•	•			•	•		•	•		•	•
	fixed 1RU high x 500 deep	ARW500FS				•				•			•			•
	cantilever 1RU high x 150 dp	ARW150CS	•	•	•	•	•	•	•	•	•	•	•	•	•	•
	cantilever 1RU high x 250 dp	ARW250CS		•	•	•		•	•	•	•	•	•	•	•	•
	cantilever 1RU high x 350 dp	ARW350CS			•	•			•	•		•	•		•	•
	cantilever 1RU high x 450 dp	ARW450CS				•				•			•			•
Cable management	1 RU - horizontal	ARPCMH1U	•	•	•	•	•	•	•	•	•	•	•	•	•	•
	5 outlets, 10A plug	ARPH5W10	•	•	•	•	•	•	•	•	•	•	•	•	•	•
Power rails - horizontal (10A outlets only)	5 outlets, 15A plug	ARPH5W15	•	•	•	•	•	•	•	•	•	•	•	•	•	•
	10 outlets, 10A plug	ARPH10W10	•	•	•	•	•	•	•	•	•	•	•	•	•	•
	10 outlets, 15A plug	ARPH10W15	•	•	•	•	•	•	•	•	•	•	•	•	•	•
Fan kit	2 unit	ARPAF2	•	•	•	•	•	•	•	•	•	•	•	•	•	•
Blanking panels	1RU	EBP1U	•	•	•	•	•	•	•	•	•	•	•	•	•	•
	2RU	EBP2U	•	•	•	•	•	•	•	•	•	•	•	•	•	•
	3RU	EBP3U	•	•	•	•	•	•	•	•	•	•	•	•	•	•
	4RU	EBP4U	•	•	•	•	•	•	•	•	•	•	•	•	•	•
	5RU	EBP5U	•	•	•	•	•	•	•	•	•	•	•	•	•	•
	6RU	EBP6U	•	•	•	•	•	•	•	•	•	•	•	•	•	•
Mounting rail pair	6RU	ARWMR6U	•	•	•	•	•	•	•	•	•	•	•	•	•	•
	12RU	ARWMR12U	•	•	•	•	•	•	•	•	•	•	•	•	•	•
Cage nuts	50 pack	ARCN	•	•	•	•	•	•	•	•	•	•	•	•	•	•

Introduction

General Purpose

Special Purpose

Multiple Application

Datacoms

Ancillary Items

Enclosure Selection



DATA &  
COMMUNICATIONS

# AUSRACK WALL

Ausrack Wall mount enclosures are robust, cost effective, easy to install 19" cabinets. They are used for smaller applications such as housing patch panels and network apparatus, where floor space is at a premium.

Ausrack Wall is perfect for small network installations. The swing frame only models enable easy installation and maximum accessibility for maintenance. The detachable swingframe can be mounted on the wall, allowing equipment to be installed into enclosure, before mounting it onto the swingframe.

Enhanced for strength, the Ausrack Wall cabinets now has the capacity for more equipment while maintaining integrity and performance. The fully loaded Ausrack Wall closes comfortably providing a safe working environment. Bevel door with maximum viewing window, allows sight of all items installed in cabinet.

The cabinet comes with an adjustable pair of rack rails, with the option of a second set of rails.

The cabinets are manufactured in Australia from robust zinc coated steel, with a highly durable neutral colour textured powdercoat finish to suit an office environment.

With an improved range of wall cabinets with enclosure body depths of 250,350,450 and 600 mm, the Ausrack Wall product offer has a cabinet to suit all applications.



Contact your local B&R office for details  
[www.brenclosures.com.au](http://www.brenclosures.com.au)

## TECHNICAL INFORMATION

The Ausrack Wall includes provision for cable entries on the rear top and bottom at the rear of the cabinet. The rear door option allows for surface mounting cable entry, with cutouts in top and bottom of the frame. All cabinets come with equipment rails. (see table below)



Model	Height (RU)	Dimensions (mm)				Load Capacity (kg)	Equipment Rails
		Height	Width	Enclosure Depth	Total Depth*		
ARW6U250	6	340	600	250	350	24	2
ARW6U350	6	340	600	350	450	24	2
ARW6U450	6	340	600	450	550	24	2
ARW6U600	6	340	600	600	700	24	4
ARW12U250	12	607	600	250	350	48	2
ARW12U350	12	607	600	350	450	48	2
ARW12U450	12	607	600	450	550	48	2
ARW12U600	12	607	600	600	700	48	4
ARW18U350	18	874	600	350	450	72	4
ARW18U450	18	874	600	450	550	72	4
ARW18U600	18	874	600	600	700	72	4
ARW24U350	24	1141	600	350	450	96	4
ARW24U450	24	1141	600	450	550	96	4
ARW24U600	24	1141	600	600	700	96	4

\*Includes depth of door (40mm) and swing frame (60mm)



## SPECIAL FEATURES

The Ausrack Wall is a result of extensive market research and testing. The special features we have incorporated as part of the range include:

- Robust construction
- Enhanced for strength
- Enclosure body depths of 250, 350 450 and 600mm
- Bevel door with maximum viewing window
- Reversible doors
- Reversible swing frame
- Lift off hinges on rear door
- High quality finish - textured light grey

Please refer to the Data & Communications Catalogue for more information on the Ausrack Wall and other B&R products.

## ACCESSORIES GUIDE

RU	Depth (mm)	Accessories					
		Shelves		Power Rail		Fan Kit	Blanking Panels
		Fixed	Cantilever	5 Outlet	Bracket		
6,12	250		•	•	•	•	•
6,12,18,24	350,450,600	•	•	•	•	•	•

## SALES OFFICES

Queensland (Brisbane)  
Ph 07 3714 1000

Queensland (Townsville)  
Ph 07 4775 6255

New South Wales (Sydney)  
Ph 02 9687 0077

New South Wales (Newcastle)  
Ph 02 4961 4433

Victoria (Melbourne)  
Ph 03 8588 8400

South Australia (Adelaide)  
Ph 08 8243 1166

Western Australia (Perth)  
Ph 08 9248 9744

Tasmania (Launceston)  
Ph 03 6331 5545

Northern Territory (Darwin)  
Ph 08 8947 0870