

MIX36

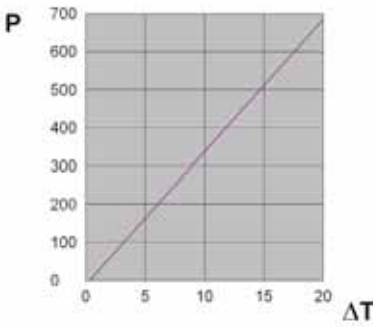
AIR-AIR HEAT EXCHANGERS

Characteristics	M.U.	TX-MIX36BX0A
Specific cooling power	W/K	36
Power supply	V ~ Hz	230 1~ 50-60
Width	mm	316
Height	mm	771
Depth	mm	93
Max. current	A	0,64
Fuse T	A	1
Absorbed electric power	W	140
Duty cycle	-	100%
External air fan	m3/h	600
Enclosure air fan	m3/h	600
Temperature limits	°C	-5 +55
Protection level EN60529 - enclosure side	-	IP54
Noise level	dB (A)	67
Weight	Kg	10
Colour	-	RAL 7032 ORANGE PEEL EFFECT
Conformity	-	CE

Accessories/Options	
0-60°C thermostat, NO 10A	TX-AAFT012
5-60°C thermostat, change-over contactor 10A	TX-AAWTS10
Stainless steel version	
Special paint on request	

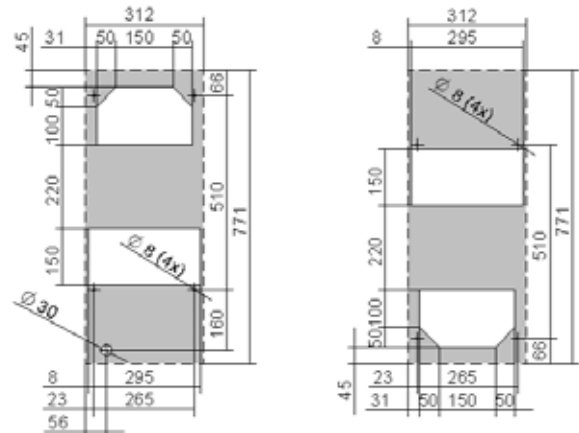
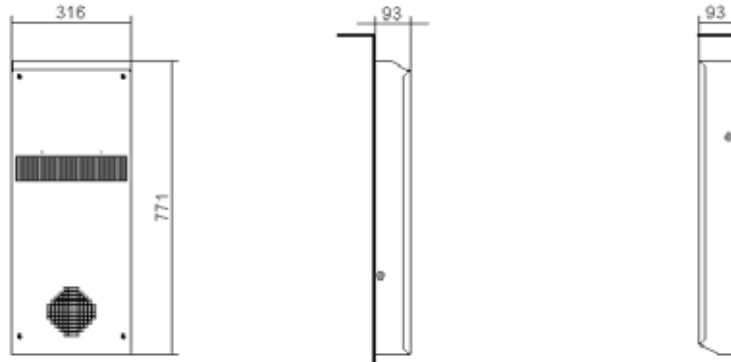


Performances



P = Cooling power (W)
 ΔT = Differential temperature (Tin-Tex) (K)

Dimensions



Drilling templates

External assembly

Internal assembly

Composition of the supply

- Exchanger featuring baffle, both inside and outside, ready to install
- Installation, operating and maintenance manual
- Drilling template in 1:1 scale
- Fan connecting cables
- Assembly accessories