

FAN25

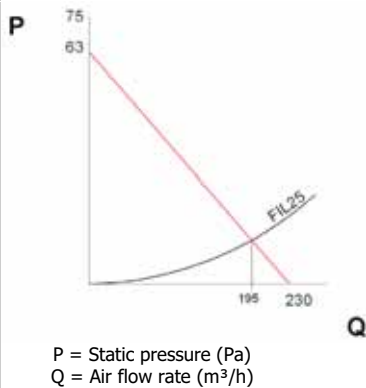
VENTILATING UNITS WITH FILTER

Characteristics	M.U.	TX-FAN25VN0A
Air flow rate	m ³ /h	230
Power supply	V ~ Hz	48 V DC
Dimensions HxWxD	mm	250x250x125
Absorbed electric power	W	12
Max. current	A	0,5
Over current protection	-	Inside motor
Electrical connection	-	Terminals
Duty cycle	-	100%
Temperature limits	°C	-10 +70
Protection level EN60529	-	IP44 (IP54)*
Noise level	dB (A)	50
FAN + FIL capacity	m ³ /h	1xFIL25XN0A: 195 2xFIL25XN0A: 215 1xFIL35XN0A: 205
Direction of the air flow	-	Outside towards the inside Reversible
Filter (Eurovent 4/9)	-	EU4
Motor support	-	Bearings
Colour	-	RAL 7032 ORANGE PEEL EFFECT
Conformity	-	CE

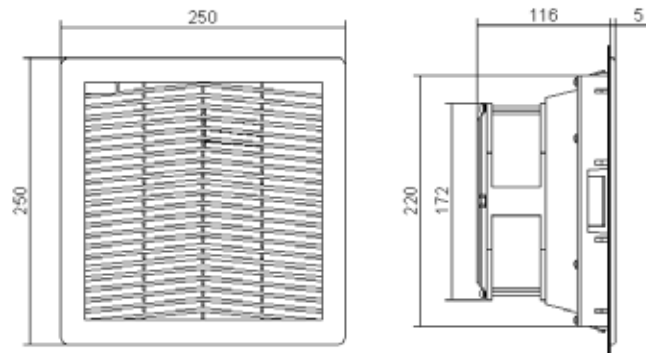
Accessories/Options	
Pack of 10 cloth filters for FAN23-25	TX-AAFFN25
Pack of 10 cloth filters for FAN23-25 high filtering capacity	TX-AAFFH25
Pack of 10 cloth filters for FAN35	TX-AAFFN35
Pack of 10 cloth filters for FAN35 high filtering capacity	TX-AAFFH35
0-60°C thermostat, NO 10A	TX-AAFTO12
5-60°C thermostat, change-over contactor 10A	TX-AAWTS10



Performances



Dimensions



Composition of the supply

- Ready-to-install fan/grille/filter unit
- Self-adhesive seal for coupling to the enclosure
- Installation instructions with drilling template in 1:1 scale
- Securing screws (their use is optional)

Drilling template