

# FAN12

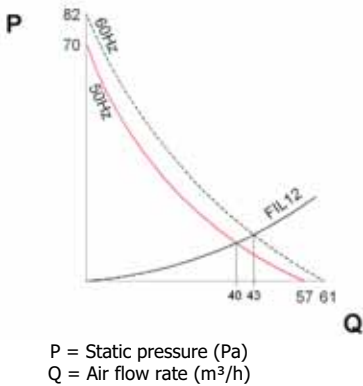
## VENTILATING UNITS WITH FILTER

Characteristics	M.U.	TX-FAN12CN0A
Air flow rate	m3/h	57/61
Power supply	V ~ Hz	115 1~ 50-60
Dimensions HxWxD	mm	150x150x71
Absorbed electric power	W	20/18
Max. current	A	0,21/0,18
Over current protection	-	Inside motor
Electrical connection	-	Terminals
Duty cycle	-	100%
Temperature limits	°C	-10 +55
Protection level EN60529	-	IP54
Noise level	dB (A)	43/48
FAN + FIL capacity	m3/h	1xFIL12XN0A: 40/43
Direction of the air flow	-	Outside towards the inside Reversible
Filter (Eurovent 4/9)	-	EU4
Motor support	-	Bearings
Colour	-	RAL 7032 ORANGE PEEL EFFECT
Conformity	-	CE

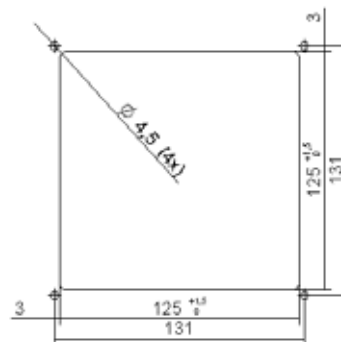
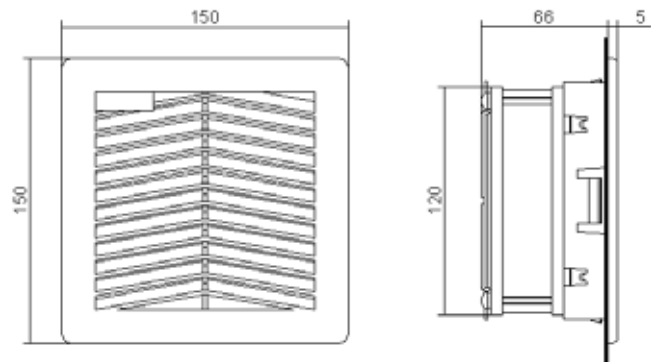
Accessories/Options	
Pack of 10 cloth filters for FAN12	TX-AAFFN12
Pack of 10 cloth filters for FAN12 high filtering capacity	TX-AAFFH12
0-60°C thermostat, NO 10A	TX-AAFTO12
5-60°C thermostat, change-over contactor 10A	TX-AAWTS10



### Performances



### Dimensions



### Drilling template

### Composition of the supply

- Ready-to-install fan/grille/filter unit
- Self-adhesive seal for coupling to the enclosure
- Installation instructions with drilling template in 1:1 scale
- Securing screws (their use is optional)