



EGO04 - TX-EGO04BM1A Cooling Capacity 380W

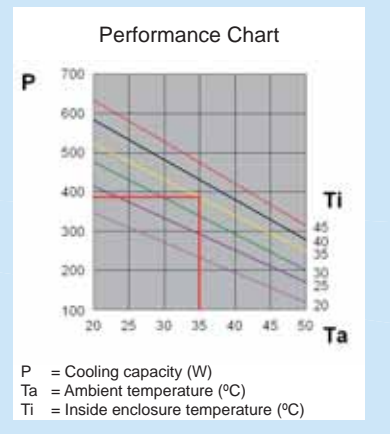
Characteristics	M.U.	TX-EGO04BM1A
Cooling capacity EN814 - A35A35	W	380
Cooling capacity EN814 - A35A50	W	240
Power supply	V ~ Hz	230 1~ 50-60
Height	mm	460
Width	mm	285
Depth	mm	180
Max. Current	A	1.6
Inrush current	A	6
Fuse T	A	4
Absorbed electric power EN814 - A35A35	W	280
Absorbed electric power EN814 - A35A50	W	330
Duty cycle	-	100%
Electrical connection	-	Terminal board
Refrigerant R134a	kg	0.11
Cooling circuit max. pressure	bar	26
External fan air flow	m ³ /h	280
Enclosure fan air flow	m ³ /h	280
Internal temperature range	°C	20-46
Temperature setting	-	Internal thermostat factory set at 35°C
External temperature range	°C	20-55*
Protection level EN60529 - enclosure side	-	IP54
Protection level EN60529 - ambient side	-	IP34
Noise level	dB (A)	60
Weight	kg	17
Conformity	-	CE
Colour	-	RAL 7032 ripple

* 50°C at 60 Hz

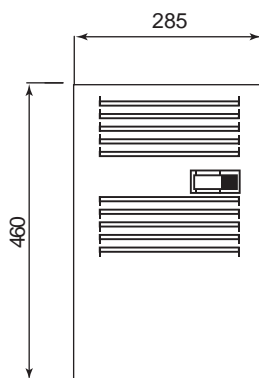
** Depth increases due to the external mounting of the autotransformer

Accessories / Options

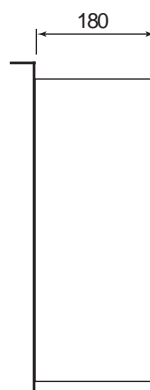
Pack of 5 cloth air filters	TX-AAEFP04
Pack of 1 metal air filter	TX-AAEFM04
Electronic thermostat	TX-C16000106
Electronic controller	TX-C16000117



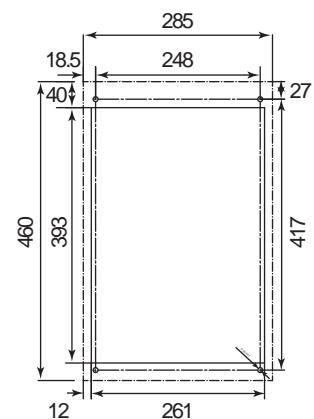
Front Elevation



Side Elevation



Drilling Template*



* Drilling template dimensions may change without notice, please refer to your sales representative for further details.

Queensland, Head Office Brisbane South Industrial Park 51 Stradbroke St., Heathwood, QLD 4110

PO Box 1151, Browns Plains BC, QLD 4118

Ph: (07) 3714 1000 Fax: (07) 3714 1081 ISD +61 7 3714 1000

Certified to AS/NZS ISO 9001 - AS/NZS 4801