



Special Purpose



Incline SR – 316 Stainless Steel Mining and Industrial Enclosure

Index

[Dimension Sheet](#)

[Catalogue Information](#)

[Leaflet](#)

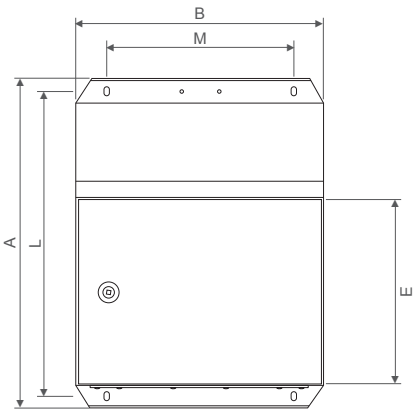
Web Links

[Incline SR Information Page](#)

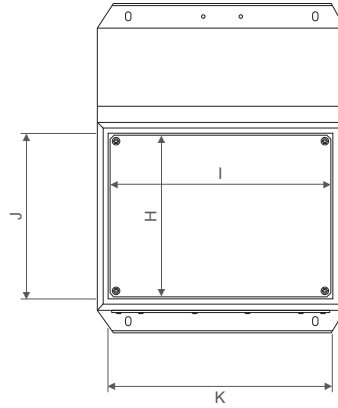
[Ask a question / Send us an enquiry](#)

[Information about B&R](#)

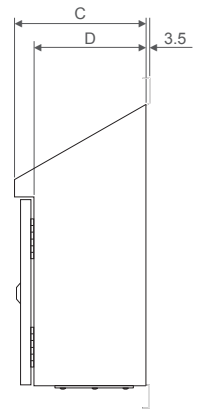
[Local Sales Team Phone Numbers](#)



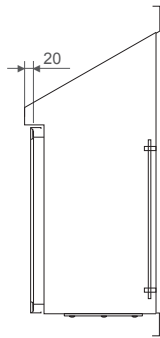
Front View



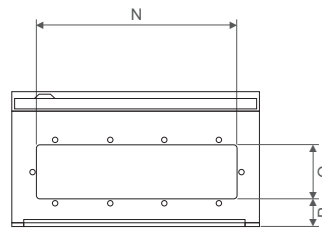
Front View With Internals



Side View



Side View with Internals



Bottom View

Dimensions (mm)

Catalogue No.	External			Internal			Mounting Pan			Gland Plate			Opening Size		Fixing Centres		No of Locks
	A	B	C	D	E	F	G	H	I	N	O	P	J	K	L	M	
SR03021/S	507	200	175	130	300	155	124	250	150	175	70	30	252	155	469	100	1
SR04031/S	607	300	175	130	400	155	124	350	250	175	70	30	352	255	569	200	1
SR03042/S	535	400	225	180	300	205	174	250	350	250	120	30	252	355	495	300	1
SR04042/S	636	400	225	180	400	205	174	350	350	250	120	30	352	355	595	300	1
SR06042/S	836	400	225	180	600	205	174	550	350	250	120	30	552	355	795	300	1
SR04062/S	636	600	225	180	400	205	174	350	550	440	120	30	352	555	595	500	1
SR08062/S	1036	600	225	180	800	205	174	750	550	440	120	30	752	555	995	500	2
SR10062/S	1236	600	225	180	1000	205	174	950	550	440	120	30	952	555	1195	500	2
SR04063/S	693	600	325	280	400	305	274	350	550	440	120	45	352	555	655	500	1
SR06063/S	893	600	325	280	600	305	274	550	550	440	120	45	552	555	855	500	1
SR08063/S	1093	600	325	280	800	305	274	750	550	440	120	45	752	555	1055	500	2



Incline SR

Mining and Industrial Enclosure – IP66

brenclosures.com.au/sr.htm



Features

- 30° sloping roof, designed to prevent solids from building up on the surface
- Mounting flanges top and bottom for easy mounting
- Fully welded construction
- Approvals
 - CE marked
 - Lloyds
- Materials
 - Body – 316 stainless steel
 - Body thickness – 1.5mm
 - Gasket – FIP polyurethane
- Surface finish – N4, ripple X-15 orange available on request
- Protection rating – IP66



The Incline SR is a 316 stainless steel, sloping roof enclosure designed for rugged industrial applications. Typical installations are in industries as diverse as mine sites and sugar mills, with applications including local control stations, mini-control consoles or motor isolators.

Inclusions

- Steel mounting pan powdercoated white
- Stainless steel gland plate
- Mounting flanges
- 7mm square turnbuckle lock (NI020/PS)
- Door rails
- Earth strap kit

Selection Guide

Catalogue No.	Dimensions (mm)					Mounting Pan (mm)			
	Height	Width	Depth*	Usable Depth**	Total Height***	Height	Width	No of locks	Weight (kg)
SR03021/S	300	200	175	130	510	250	150	1	5.4
SR04031/S	400	300	175	130	610	350	250	1	9.0
SR03042/S	300	400	225	180	535	250	350	1	10.4
SR04042/S*	400	400	225	180	635	350	350	1	12.7
SR06042/S*	600	400	225	180	835	550	350	2	17.4
SR04062/S*	400	600	225	180	635	350	550	1	17.7
SR08062/S*	800	600	225	180	1035	750	550	2	30.6
SR10062/S*	1000	600	225	180	1235	950	550	2	37.0
SR04063/S*	400	600	325	280	695	350	550	1	21.3
SR06063/S*	600	600	325	280	895	550	550	2	28.3
SR08063/S*	800	600	325	280	1195	750	550	2	35.2

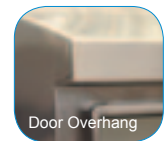
* Includes overhang

** Mounting pan to inside of door

*** Includes from bottom of enclosure to top mounting flange

▪ Includes vertical door rails

Includes horizontal & vertical door rails



Accessories

Product	Description	Catalogue No.	SR03021/S	SR03042/S	SR04031/S	SR04042/S	SR04062/S	SR04063/S	SR06042/S	SR06063/S	SR08062/S	SR08063/S	SR10062/S
Mounting pan – insulated	250 x 150mm	SRIMP032	•										
	250 x 350mm	SRIMP034		•	•								
	350 x 350mm	SRIMP044				•							
	350 x 550mm	SRIMP046					•	•					
	550 x 350mm	SRIMP064							•				
	550 x 550mm	SRIMP066								•			
	750 x 550mm	SRIMP086									•	•	
	950 x 550mm	SRIMP106											•
Gland plate – brass	3mm thick	SRBGP3/1	•		•								
	3mm thick	SRBGP3/2		•		•			•				
	3mm thick	SRBGP3/3					•	•		•	•	•	•
	6mm thick	SRBGP6/1	•		•								
	6mm thick	SRBGP6/2		•		•			•				
	6mm thick	SRBGP6/3					•	•		•	•	•	•
Gland plate – 316 stainless steel	1.5mm thick	SRS GP/1	•		•								
	1.5mm thick	SRS GP/2		•		•			•				
	1.5mm thick	SRS GP/3					•	•		•	•	•	•
Gland Plate – aluminium	6mm thick	SRAGP6/1	•		•								
	6mm thick	SRAGP6/2		•		•			•				
	6mm thick	SRAGP6/3					•	•		•	•	•	•
Vent kit – external	130 x 130mm	IPVK/S	•	•	•	•	•	•	•	•	•	•	

Introduction

General Purpose

Special Purpose

Multiple Applications

Hazardous Areas

Data & Communications

Ancillary Items

Technical Drawings

Technical Information



Special Purpose Accessories

Locks, Touch Up Paint & General Accessories

Standard Locks on Special Purpose Enclosures

Enclosure	 Steel	 Stainless steel
Universal DD <1600	DD020 – chromed steel with 7mm square steel insert	DD020/PS – Black powdercoated lock with 7mm square stainless steel insert
Universal DD 1600+	DD050 – lockable L handle keyed to 92268	DD050 – lockable L handle keyed to 92268
Incline SR		
Miner ME	NI020 – chromed steel with 7mm square steel insert	NI020/PS – Black powdercoated lock with 7mm square stainless steel insert
Universal PB		
Headland PH	–	NI020/S – Stainless steel lock with 7mm square stainless steel insert
Bowen BW	–	NI028S/S – Stainless steel lock with 8mm square slotted stainless steel insert
Pilbara SP	SP/LCK – chromed steel padlockable swing handle with LockSock	SP/LCK/S – Stainless steel padlockable swing handle with LockSock
Lambert LB		

Lock Options for Special Purpose Enclosures

Product	Description	Catalogue No	Standard Lock/Insert	Alternative insert	Keys		
					Lockable handles	Plastic, 3-way	Aluminium, 3-way
Turnbuckle	chromed steel	NI020	7mm square – steel	See page 87		SKU	SKZ
		DD020	7mm square – steel	See page 87		SKU	SKZ
	powdercoated	NI020/PS	7mm square – stainless steel	See page 87		SKU	SKZ
		DD020/PS	7mm square – stainless steel	See page 87		SKU	SKZ
	stainless steel	NI020/S	7mm square – stainless steel	See page 87		SKU	SKZ
		NI028/S	8mm square slotted – stainless steel	See page 87			
Wing knob	lockable	NI030	Key code 92268		SK3		
		DD030	Key code 92268		SK3		
	non-lockable	NI111					
		DD111					
T handle	lockable	NI040	Key code 92268		SK3		
		DD040	Key code 92268		SK3		
L handle	lockable	NI050	Key code 92268		SK3		
		DD050	Key code 92268		SK3		
	padlockable – steel	NI052					
		DD052					
		padlockable – stainless steel	NI052/S				
			DD052/S				
Swing Handle	padlockable – steel	SP/LCK					
	padlockable – stainless steel	SP/LCK/S					
LockSock®	plastic	SP/LCK/DC	to suit SP/LCK				
Dust Cap	plastic	NI020/DC	to suit NI020				

Lock Inserts for Locks

To suit lock style	Description	To suit lock	Standard Insert	3mm double bit pin		8mm square		8mm square slotted	8mm triangle	
				Steel	Stainless Steel	Steel	Stainless Steel	Stainless Steel	Steel	Stainless Steel
Turnbuckle	chromed steel	NI020 or DD020	7mm square – steel	LKINS3P		LKINS8S		LKINS8SS/S	LKINS8T	LKINS8T/S
	powdercoated with SS insert	NI020/PS or DD020/PS	7mm square – stainless steel		LKINS3P/S		LKINS8S/S	LKINS8SS/S	LKINS8T	LKINS8T/S
	stainless steel	NI020/S or DD020/PS	7mm square – stainless steel		LKINS3P/S		LKINS8S/S	LKINS8SS/S	LKINS8T	LKINS8T/S
Key required – aluminium			SKZ	SKZ	SKZ	SK8	SK8	SK8	SKZ	SKZ
Key required – plastic			SKU	SKU	SKU				SKU	SKU



Touch Up Paint

Product	Description	Catalogue No.
Pebble Grey – RAL7032	300g	TUP/P20
Light Grey – RAL7035	150g	TUP/P29
French Blue – B21	150g	TUP/P21
B&R Grey – RAL9002	300g	TUP/P22
Mist Blue – B33	150g	TUP/P23
Orange – X15	150g	TUP/P24
Matt Black	150g	TUP/P25
Oyster – N41	150g	TUP/P26
Light Grey – RAL7035	150g	TUP/P29
Aqua Glass – B25	150g	TUP/P30
Storm Grey – N42	150g	TUP/P31

General Accessories

Product	Catalogue No.	To suit enclosures
Earth strap kit	ECESK	All

Mining and Industrial Enclosure – 316 Stainless Steel



OVERVIEW

The Incline SR is a 316 grade stainless steel sloping roof enclosure that is designed for rugged industrial applications.

The Incline SR is easy to mount with a integrated top and bottom mounting flange built into both the top and bottom of the enclosure body. The sloping roof is designed to prevent solids from building up on the enclosure.

MATERIALS

Body: 316 stainless steel
 Body thickness: 1.5mm
 Gasket: Neoprene
 Surface finish: N4

APPLICATION

Typical installations are in industries as diverse as mine sites and sugar mills, with applications including local control stations, mini control consoles or motor isolation control stations.

FEATURES

- IP66 protection rating
- 30° sloping roof designed to prevent solids from building up on the surface
- Easy installation with top and bottom mounting flanges
- Fully welded construction
- Corrosion resistant 1.5mm thick 316 stainless steel
- Flexible equipment mounting options including door rails and steel mounting pan
- Specially designed gutter and extended roof
- Foamed in place polyurethane gasket

Catalogue No.	Dimensions (mm)					Height	Width	No. of Locks	Weight (kg)
	Height	Width	Depth*	Usable Depth**	Total Height***				
SR03021/S	300	200	175	130	510	250	150	1	5.4
SR04031/S	400	300	175	130	610	350	250	1	9.0
SR03042/S	300	400	225	180	535	250	350	1	10.4
SR04042/S*	400	400	225	180	635	350	350	1	12.7
SR06042/S*	600	400	225	180	835	550	350	2	17.4
SR04062/S*	400	600	225	180	635	350	550	1	17.7
SR08062/S*	800	600	225	180	1035	750	550	2	30.6
SR10062/S*	1000	600	225	180	1235	950	550	2	37.0
SR04063/S*	400	600	325	280	695	350	550	1	21.3
SR06063/S*	600	600	325	280	895	550	550	2	28.3
SR08063/S#	800	600	325	280	1195	750	550	2	35.2

* Includes overhang

** Mounting pan to inside of door

*** Includes from bottom of enclosure to top mounting flange

▪ Includes vertical door rails

Includes horizontal & vertical door rails

Accessories

Product	Description	Catalogue No.
Mounting pan – insulated	250 x 150mm	SRIMP032
	250 x 350mm	SRIMP034
	350 x 350mm	SRIMP044
	350 x 550mm	SRIMP046
	550 x 350mm	SRIMP064
	550 x 550mm	SRIMP066
	750 x 550mm	SRIMP086
Gland plate – brass	950 x 550mm	SRIMP106
	3mm thick	SRBGP3/1
	3mm thick	SRBGP3/2
	3mm thick	SRBGP3/3
	6mm thick	SRBGP6/1
	6mm thick	SRBGP6/2
Gland plate – 316 stainless steel	6mm thick	SRBGP6/3
	1.5mm thick	SRS GP/1
	1.5mm thick	SRS GP/2
Gland Plate – aluminium	1.5mm thick	SRS GP/3
	6mm thick	SRAGP6/1
	6mm thick	SRAGP6/2
Vent kit – external	6mm thick	SRAGP6/3
	130 x 130mm	IPVK/S

INCLUSIONS

- Steel mounting pan powdercoated white
- Stainless steel gland plate
- Mounting flanges
- 7mm square turnbuckle lock (NI020/PS)
- Door rails
- Earth strap kit



Other brands in the B&R Group:



Queensland P: +61 7 3714 1000
Townsville P: +61 7 4775 6255
Sydney P: +61 2 8867 7688
Newcastle P: +61 2 4961 4433
Victoria P: +61 3 8588 8400

South Australia P: +61 8 8417 6200
Western Australia P: +61 8 9248 9744
Tasmania P: +61 3 6331 5545
Northern Territory P: +61 8 8947 0870

Email sales@brenclosures.com.au
 Web www.brenclosures.com.au