



Special Purpose



Pilbara SP

Mining and Industrial Enclosure

Index

[Dimension Sheet](#)

[Catalogue Information](#)

[Leaflet](#)

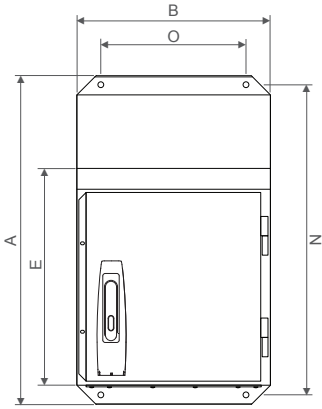
Web Links

[Pilbara SP Information Page](#)

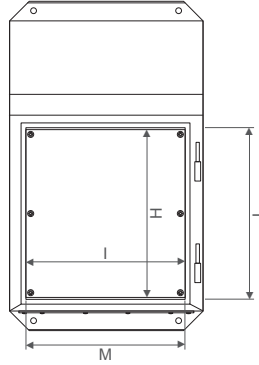
[Ask a question / Send us an enquiry](#)

[Information about B&R](#)

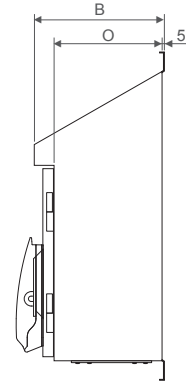
[Local Sales Team Phone Numbers](#)



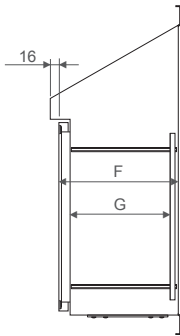
Front View



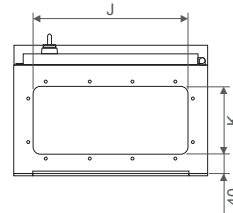
Front View With Internals



Side View



Side View With Internals



Bottom View

Catalogue No.			Dimensions (mm)															
Zinc Coated Steel	316 Stainless Steel	Stainless Steel X-15 Orange	External				Internal			Mounting Pan		Gland Plate		Opening Size		Fixing Centres*		
			A	B	C	D	E	F	G	H	I	J	K	L	M	N	O	
SP070522	SP070522/S	SP070522/SRO	952	500	221	175	700	150	108	630	430	440	120	640	420	912	400	
SP100822	SP100822/S	SP100822/SRO	1252	800	221	175	1000	150	108	930	730	740	120	940	720	1212	600	
SP040425	SP040425/S	SP040425/SRO	681	400	270	224	400	245	203	330	330	320	140	340	320	641	300	
SP070535	SP070535/S	SP070535/SRO	1040	500	370	324	700	345	303	630	430	420	240	640	420	999	400	
SP100840	SP100840/S	SP100840/SRO	1367	800	420	374	1000	405	353	930	730	640	210	940	720	1327	600	



Features

- 30° sloping roof to prevent build up of water and solids
- Fully enclosed 3-point locking, single point locking on smallest enclosure
- LockSock® protective lock cover (IP55)
- Flexible equipment mounting options
- Fully welded construction
- Approvals
CE marked
Lloyds
- Materials
Body – 316 stainless or zinc coated steel
Body thickness – 1.5/2mm
Gasket – FIP polyurethane
- Surface finish – X-15 orange or N4
- Protection rating – IP66



The Pilbara SP is a heavy-duty enclosure, developed and tested for the harsh Australian environment. Typical applications include mining, mineral processing and other infrastructure projects. It is typically used in local control stations, mini control consoles or motor isolation control stations.

Inclusions

- Steel mounting pan powdercoated white (2mm thick with return)
- Padlockable swing handle (SP/LCK in zinc coated steel, SP/LCK/S in 316 stainless steel)
- LockSock® (IP55)
- 3-point locking with cover
- Gland plate (6mm aluminium in zinc coated steel / 2mm in 316 stainless steel)
- Document holder
- Door stay
- Mounting flanges
- Door rails
- Earth strap kit

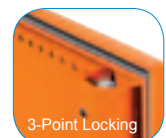
Selection Guide

Catalogue No.			Dimensions (mm)					Mounting Pan (mm)		Weight (kg)	
Zinc Coated (2mm)	Stainless Steel (1.5mm)	SS with powdercoat (1.5mm)	Height	Width	Depth*	Usable Depth**	Total Height***	Height	Width	Zinc Coated	Stainless Steel
SP070522	SP070522/S	SP070522/SRO	700	500	220	190	950	630	430	29.0	21.7
SP100822	SP100822/S	SP100822/SRO	1000	800	220	190	1250	930	730	57.9	39.8
SP040425	SP040425/S	SP040425/SRO	400	400	250	220	680	330	330	16.3	13.7
SP070535	SP070535/S	SP070535/SRO	700	500	350	320	1040	630	430	38.0	28.5
SP100840	SP100840/S	SP100840/SRO	1000	800	400	370	1367	930	730	75.1	56.3

* Includes overhang

** Mounting pan to inside of door

*** Includes from bottom of enclosure to top of mounting flange



Accessories

Product	Description	Catalogue No.	SP070522	SP070522/S	SP070522/SRO	SP100822	SP100822/S	SP100822/SRO	SP040425	SP040425/S	SP040425/SRO	SP070535	SP070535/S	SP070535/SRO	SP100840	SP100840/S	SP100840/SRO
Escutcheon – hinged	400 x 400mm	SPHE0404							•	•	•						
	700 x 500 mm	SPHE0705	•	•	•							•	•	•			
	1000 x 800 mm	SPHE1008				•	•	•							•	•	•
Hinge – stainless steel	Pintle	SP/H/S	•	•	•	•	•	•	•	•	•	•	•	•	•	•	•
Gland plate – brass	6mm thick	SPGB32/6							•	•	•						
	6mm thick	SPGB43/6										•	•	•			
	6mm thick	SPGB41/6	•	•	•												
	6mm thick	SPGB71/6				•	•	•									
	6mm thick	SPGB72/6													•	•	•
Gland plate – aluminium	6mm thick	SPGA32/6							•	•	•						
	6mm thick	SPGA41/6	•	•	•												
	6mm thick	SPGA43/6										•	•	•			
	6mm thick	SPGA71/6				•	•	•									
	6mm thick	SPGA72/6													•	•	•

Introduction

General Purpose

Special Purpose

Multiple Applications

Hazardous Areas

Data & Communications

Ancillary Items

Technical Drawings

Technical Information



Special Purpose Accessories

Locks, Touch Up Paint & General Accessories

Standard Locks on Special Purpose Enclosures

Enclosure	 Steel	 Stainless steel
Universal DD <1600	DD020 – chromed steel with 7mm square steel insert	DD020/PS – Black powdercoated lock with 7mm square stainless steel insert
Universal DD 1600+	DD050 – lockable L handle keyed to 92268	DD050 – lockable L handle keyed to 92268
Incline SR		
Miner ME	NI020 – chromed steel with 7mm square steel insert	NI020/PS – Black powdercoated lock with 7mm square stainless steel insert
Universal PB		
Headland PH	–	NI020/S – Stainless steel lock with 7mm square stainless steel insert
Bowen BW	–	NI028S/S – Stainless steel lock with 8mm square slotted stainless steel insert
Pilbara SP	SP/LCK – chromed steel padlockable swing handle with LockSock	SP/LCK/S – Stainless steel padlockable swing handle with LockSock
Lambert LB		

Lock Options for Special Purpose Enclosures

Product	Description	Catalogue No	Standard Lock/Insert	Alternative insert	Keys		
					Lockable handles	Plastic, 3-way	Aluminium, 3-way
Turnbuckle	chromed steel	NI020	7mm square – steel	See page 87		SKU	SKZ
		DD020	7mm square – steel	See page 87		SKU	SKZ
	powdercoated	NI020/PS	7mm square – stainless steel	See page 87		SKU	SKZ
		DD020/PS	7mm square – stainless steel	See page 87		SKU	SKZ
	stainless steel	NI020/S	7mm square – stainless steel	See page 87		SKU	SKZ
		NI028/S	8mm square slotted – stainless steel	See page 87			
Wing knob	lockable	NI030	Key code 92268		SK3		
		DD030	Key code 92268		SK3		
	non-lockable	NI111					
		DD111					
T handle	lockable	NI040	Key code 92268		SK3		
		DD040	Key code 92268		SK3		
L handle	lockable	NI050	Key code 92268		SK3		
		DD050	Key code 92268		SK3		
	padlockable – steel	NI052					
		DD052					
		padlockable – stainless steel	NI052/S				
			DD052/S				
Swing Handle	padlockable – steel	SP/LCK					
	padlockable – stainless steel	SP/LCK/S					
LockSock®	plastic	SP/LCK/DC	to suit SP/LCK				
Dust Cap	plastic	NI020/DC	to suit NI020				

Lock Inserts for Locks

To suit lock style	Description	To suit lock	Standard Insert	3mm double bit pin		8mm square		8mm square slotted	8mm triangle	
				Steel	Stainless Steel	Steel	Stainless Steel	Stainless Steel	Steel	Stainless Steel
Turnbuckle	chromed steel	NI020 or DD020	7mm square – steel	LKINS3P		LKINS8S		LKINS8SS/S	LKINS8T	LKINS8T/S
	powdercoated with SS insert	NI020/PS or DD020/PS	7mm square – stainless steel		LKINS3P/S		LKINS8S/S	LKINS8SS/S	LKINS8T	LKINS8T/S
	stainless steel	NI020/S or DD020/PS	7mm square – stainless steel		LKINS3P/S		LKINS8S/S	LKINS8SS/S	LKINS8T	LKINS8T/S
Key required – aluminium			SKZ	SKZ	SKZ	SK8	SK8	SK8	SKZ	SKZ
Key required – plastic			SKU	SKU	SKU				SKU	SKU



Touch Up Paint

Product	Description	Catalogue No.
Pebble Grey – RAL7032	300g	TUP/P20
Light Grey – RAL7035	150g	TUP/P29
French Blue – B21	150g	TUP/P21
B&R Grey – RAL9002	300g	TUP/P22
Mist Blue – B33	150g	TUP/P23
Orange – X15	150g	TUP/P24
Matt Black	150g	TUP/P25
Oyster – N41	150g	TUP/P26
Light Grey – RAL7035	150g	TUP/P29
Aqua Glass – B25	150g	TUP/P30
Storm Grey – N42	150g	TUP/P31

General Accessories

Product	Catalogue No.	To suit enclosures
Earth strap kit	ECESK	All

Mining & Industrial Enclosure



OVERVIEW

The Pilbara SP is a heavy-duty enclosure, developed and tested for the harsh Australian environment.

After consultation with on-site electrical engineers, contractors and designers the Pilbara range has been designed in sizes suitable for the most common mining, mineral processing and infrastructure projects.

MATERIALS

- Body: Zinc coated steel or 316 stainless steel
- Body thickness: Zinc 2.0mm or stainless steel 1.5mm
- Gasket: FIP polyurethane
- Surface finish: X15 orange or N4

APPLICATION

Typical applications include mining, mineral processing and other infrastructure projects. It is typically used in local control stations, mini control consoles or motor isolation control stations.

FEATURES

- IP66 protection rating
- Lift off pintle hinges
- Provision on door for additional mechanical fittings
- 30° sloping roof to prevent build up of water and solids
- LockSock® protective lock cover (IP55)
- Fully enclosed 3-point locking system on most sizes (excluding SP040425)
- Easy installation with top and bottom mounting flanges
- Designed to withstand extreme temperatures -10°C to 60°C
- 2mm thick mounting pan mounted on 'C' rails
- Flexible equipment mounting options

Catalogue No.			Dimensions (mm)					Mounting Pan (mm)		Weight (kg)	
Zinc Coated (2mm)	Stainless Steel (1.5mm)	Stainless Steel with powdercoat (1.5mm)	Height	Width	Depth*	Usable Depth**	Total Height***	Height	Width	Zinc coated steel	316 stainless steel
SP070522	SP070522/S	SP070522/SRO	700	500	220	190	950	630	430	29.0	21.7
SP100822	SP100822/S	SP100822/SRO	1000	800	220	190	1250	930	730	57.9	39.8
SP040425	SP040425/S	SP040425/SRO	400	400	250	220	680	330	330	16.3	13.7
SP070535	SP070535/S	SP070535/SRO	700	500	350	320	1040	630	430	38.0	28.5
SP100840	SP100840/S	SP100840/SRO	1000	800	400	370	1367	930	730	75.1	56.3

* Includes overhang

** Mounting pan to inside of door

*** Includes from bottom of enclosure to top of mounting flange

Accessories

Product	Description	Catalogue No.
Escutcheon – hinged	400x400mm	SPHE0404
	700x500mm	SPHE0705
	1000x800mm	SPHE1008
Hinge – stainless steel	Pintle	SP/H/S
	6mm thick	SPGB32/6
Gland plate – brass	6mm thick	SPGB43/6
	6mm thick	SPGB41/6
	6mm thick	SPGB71/6
	6mm thick	SPGB72/6
	6mm thick	SPGA32/6
Gland plate – aluminium	6mm thick	SPGA41/6
	6mm thick	SPGA43/6
	6mm thick	SPGA71/6
	6mm thick	SPGA72/6

INCLUSIONS

- Steel mounting pan
- Padlockable swing handle
- LockSock®
- 3-point locking with cover (excluding SP040425)
- Gland plate
- Earth strap kit
- Document holder
- Door stay
- Mounting flanges
- Door rails



Other brands in the B&R Group:



Queensland P: +61 7 3714 1000
Townsville P: +61 7 4775 6255
Sydney P: +61 2 8867 7688
Newcastle P: +61 2 4961 4433
Victoria P: +61 3 8588 8400

South Australia P: +61 8 8417 6200
Western Australia P: +61 8 9248 9744
Tasmania P: +61 3 6331 5545
Northern Territory P: +61 8 8947 0870

Email sales@brenclosures.com.au
 Web www.brenclosures.com.au