



# General Purpose Enclosures



## Polynova PS High Performance Non-Metallic Enclosure System - IP66

### Index

[Dimension Sheet](#)

[Catalogue Information](#)

[Leaflet](#)

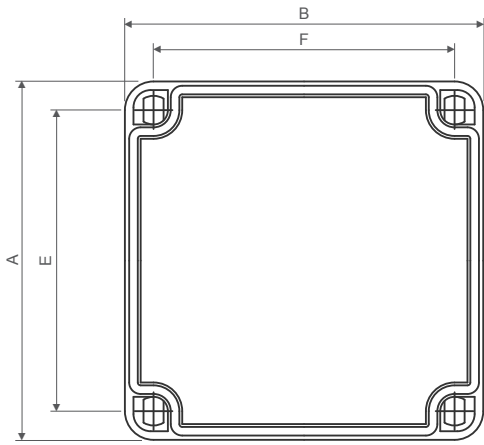
### Web Links

[Polynova PS Information Page](#)

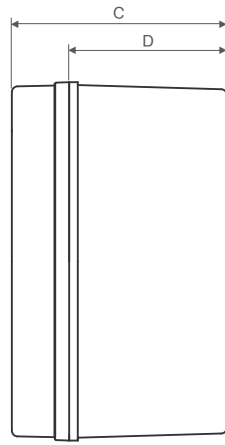
[Ask a question / Send us an enquiry](#)

[Information about B&R](#)

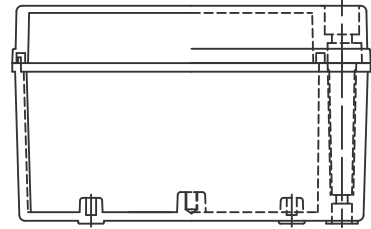
[Local Sales Team Phone Numbers](#)



Front View



Side View



Bottom View

Dimensions (mm)

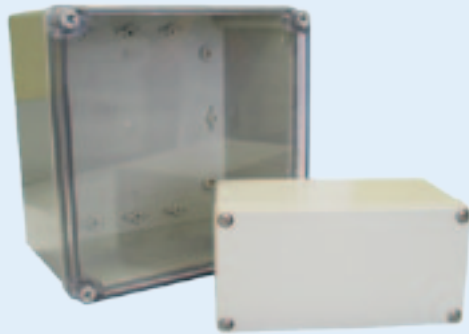
Catalogue No.		External				Mounting Centres	
Opaque	Transparent	A	B	C	D	E	F
PS110804	PS110804T	110	80	45	25	92	62
PS060505	—	65	50	55	35	52	37
PS160805	PS160805T	160	80	55	40	148	50
PS080806	PS080806T	82	80	60	45	70	68
PS110807	PS110807T	110	80	70	50	92	62
PS180807	PS180807T	180	80	70	50	162	74
PS121207	PS121207T	125	125	75	55	105	105
PS171207	PS171207T	175	125	75	50	157	109
PS201507	PS201507T	200	150	75	50	182	132
PS251707	PS251707T	250	175	75	50	232	157
PS130808	PS130808T	130	80	85	50	112	62
PS250808	PS250808T	250	80	85	50	232	62
PS160809	PS160809T	160	80	90	75	148	50
PS202009	PS202009T	200	200	95	75	182	182
PS121210	PS121210T	125	125	100	80	105	105
PS171210	PS171210T	175	125	100	50	157	109
PS201510	PS201510T	200	150	100	80	182	132
PS251510	PS251510T	250	150	100	80	232	132
PS171710	PS171710T	175	175	100	50	157	157
PS251710	PS251710T	250	175	100	50	232	157
PS171712	PS171712T	175	175	125	50	157	157
PS201513	PS201513T	200	150	130	80	182	182
PS202013	PS202013T	200	200	130	110	182	182
PS251513	PS251513T	250	150	130	80	232	132



# Polynova PS

## High Performance Non-metallic Enclosure System – IP66

brenclosures.com.au/ps.htm



### Features

- Opaque parts manufactured from polyester, a thermoplastic self-extinguishing material
- Enclosures can be mounted without affecting the IP rating
- UV Stabilised
- Approvals
  - CE marked
  - UL approval
- Materials
  - Opaque parts – polyester
  - Transparent parts – polycarbonate
- Surface finish – RAL7035
- Protection rating – IP66



The Polynova PS is a range of high performance, non-metallic enclosures with choice of opaque or transparent covers and insulated mounting pan. Typical applications include housing terminations, signal infrastructure, pushbuttons and switchgear.

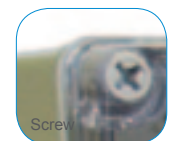
### Inclusions

- Fixings

### Selection Guide

Catalogue No.		Dimensions (mm)				Screw Material	Weight (kg)
Opaque	Transparent	Height	Width	Depth	Cover Depth		
PS110804	PS110804T	110	80	45	20	plastic	0.2
PS060505*	–	60	50	55	20	304SS	0.1
PS160805	PS160805T	160	80	55	15	304SS	0.2
PS080806	PS080806T	82	80	60	15	304SS	0.2
PS110807	PS110807T	110	80	70	20	plastic	0.2
PS180807	PS180807T	180	80	70	20	plastic	0.3
PS121207	PS121207T	125	125	75	20	plastic	0.2
PS171207	PS171207T	175	125	75	25	plastic	0.4
PS201507	PS201507T	200	150	75	25	plastic	0.5
PS251707	PS251707T	250	175	75	25	plastic	0.6
PS130808	PS130808T	130	80	85	35	plastic	0.3
PS250808	PS250808T	250	80	85	35	plastic	0.4
PS160809	PS160809T	160	80	90	15	304SS	0.2
PS202009	PS202009T	200	200	95	20	plastic	0.7
PS121210	PS121210T	125	125	100	20	plastic	0.4
PS171210	PS171210T	175	125	100	50	plastic	0.5
PS201510	PS201510T	200	150	100	20	plastic	0.6
PS251510	PS251510T	250	150	100	20	plastic	0.8
PS171710	PS171710T	175	175	100	50	plastic	0.5
PS251710	PS251710T	250	175	100	50	plastic	0.6
PS171712	PS171712T	175	175	125	75	plastic	0.5
PS201513	PS201513T	200	150	130	50	plastic	0.8
PS202013	PS202013T	200	200	130	20	plastic	0.9
PS251513	PS251513T	250	150	130	50	plastic	0.9

\* Mounting feet included, all other units mount through the enclosure with no enclosure drilling required



## Accessories

Product	Description	Catalogue No.	PS110804(T)	PS060505	PS160805(T)	PS080806(T)	PS110807(T)	PS180807(T)	PS121207(T)	PS171207(T)	PS201507(T)	PS251707(T)	PS130808(T)	PS250808(T)	PS160809(T)	PS202009(T)	PS121210(T)	PS171210(T)	PS201510(T)	PS251510(T)	PS171710(T)	PS251710(T)	PS171712(T)	PS201513(T)	PS202013(T)	PS251513(T)	
Mounting pan – insulated	96.5x68x3.5mm	PS1108/I	•				•																				
	111 x 111 x 3.5mm	PS1212/I							•								•										
	116x68x3.5mm	PS1308/I											•														
	161 x 111 x 3.5mm	PS1712/I								•									•								
	161 x 161 x 3.5mm	PS1717/I																		•			•				
	165.5 x 68 x 3.5mm	PS1808/I						•																			
	186 x 136 x 3.5mm	PS2015/I									•									•					•		
	186 x 186 x 3.5mm	PS2020/I														•										•	
	235 x 68 x 3.5mm	PS2508/I												•													
	235 x 136 x 3.5mm	PS2515/I																			•						•
	235 x 156 x 3.5mm	PS2517/I										•											•				

Introduction

General Purpose

Special Purpose

Multiple Applications

Hazardous Areas

Data & Communications

Ancillary Items

Technical Drawings

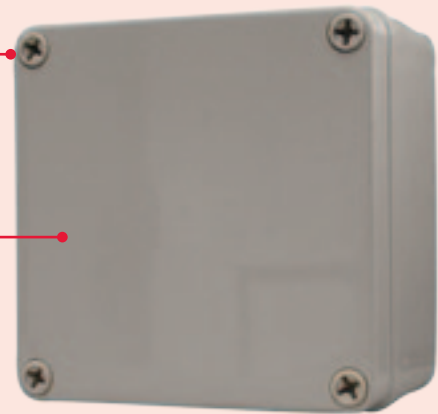
Technical Information

## High Performance Non-Metallic Enclosure System



Screw on lid

Impact and  
flame resistant



IP66

### OVERVIEW

The Polynova PS is a high performance non-metallic enclosure system available with either opaque or transparent covers.

This enclosure is constructed from polyester and uses polycarbonate for transparent lids. The use of polyester makes the enclosure highly rigid and light weight that is impact and flame resistant, UV stabilised and able to withstand temperatures from -40° to 75°C.

### MATERIALS

Opaque parts: Polyester  
Transparent parts: Polycarbonate  
Surface finish: RAL7035

### APPLICATION

Commonly suited to environments that require a high IP rating including housing terminations, signal infrastructure, pushbuttons and switchgear.

### FEATURES

- IP66 protection rating
- Enclosures can be installed from the front
- Screw on lid
- High quality construction
- Halogen free (EN 14582)
- UV stabilised
- Impact and flame resistant
- Transparent cover options
- Capable of withstanding temperatures -40°C to 75°C

Catalogue No.		Dimensions (mm)				Screw Material	Weight (kg)
Opaque	Transparent	Height	Width	Depth	Cover Depth		
PS110804	PS110804T	110	80	45	20	plastic	0.2
PS060505*	–	60	50	55	20	304SS	0.1
PS160805	PS160805T	160	80	55	15	304SS	0.2
PS080806	PS080806T	82	80	60	15	304SS	0.2
PS110807	PS110807T	110	80	70	20	plastic	0.2
PS180807	PS180807T	180	80	70	20	plastic	0.3
PS121207	PS121207T	125	125	75	20	plastic	0.2
PS171207	PS171207T	175	125	75	25	plastic	0.4
PS201507	PS201507T	200	150	75	25	plastic	0.5
PS251707	PS251707T	250	175	75	25	plastic	0.6
PS130808	PS130808T	130	80	85	35	plastic	0.3
PS250808	PS250808T	250	80	85	35	plastic	0.4
PS160809	PS160809T	160	80	90	15	304SS	0.2
PS202009	PS202009T	200	200	95	20	plastic	0.7
PS121210	PS121210T	125	125	100	20	plastic	0.4
PS171210	PS171210T	175	125	100	50	plastic	0.5
PS201510	PS201510T	200	150	100	20	plastic	0.6
PS251510	PS251510T	250	150	100	20	plastic	0.8
PS171710	PS171710T	175	175	100	50	plastic	0.5
PS251710	PS251710T	250	175	100	50	plastic	0.6
PS171712	PS171712T	175	175	125	75	plastic	0.5
PS201513	PS201513T	200	150	130	50	plastic	0.8
PS202013	PS202013T	200	200	130	20	plastic	0.9
PS251513	PS251513T	250	150	130	50	plastic	0.9

\* Mounting feet included, all other units mount through the enclosure with no enclosure drilling required

## Accessories

Product	Description	Catalogue No.
Mounting pan – insulated	96.5x68x3.5mm	PS1108/I
	111x111x3.5mm	PS1212/I
	116x68x3.5mm	PS1308/I
	161x111x3.5mm	PS1712/I
	161x161x3.5mm	PS1717/I
	165.5x68x3.5mm	PS1808/I
	186x136x3.5mm	PS2015/I
	186x186x3.5mm	PS2020/I
	235x68x3.5mm	PS2508/I
	235x136x3.5mm	PS2515/I
	235x156x3.5mm	PS2517/I

## INCLUSIONS

- Fixings



Other brands in the B&R Group:



**Queensland** P: +61 7 3714 1000  
**Townsville** P: +61 7 4775 6255  
**Sydney** P: +61 2 8867 7688  
**Newcastle** P: +61 2 4961 4433  
**Victoria** P: +61 3 8588 8400

**South Australia** P: +61 8 8417 6200  
**Western Australia** P: +61 8 9248 9744  
**Tasmania** P: +61 3 6331 5545  
**Northern Territory** P: +61 8 8947 0870

Email [sales@brenclosures.com.au](mailto:sales@brenclosures.com.au)  
 Web [www.brenclosures.com.au](http://www.brenclosures.com.au)