



## FTBA – Aluminium

Rectangular Ex d Enclosure – Zones 1&2, 21&22

### Index

[Dimension Sheet](#)

[Catalogue Information](#)

[Leaflet](#)

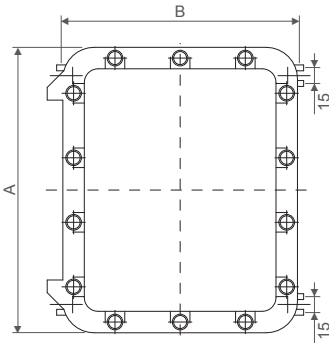
### Web Links

[FTBA Information Page](#)

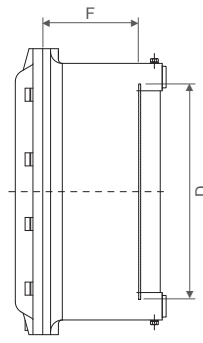
[Ask a question / Send us an enquiry](#)

[Information about B&R](#)

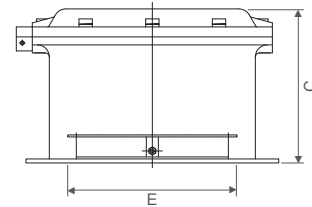
[Local Sales Team Phone Numbers](#)



Front View



Side Section View



Bottom Section View

Dimensions (mm)

Catalogue No.	External		C	Mounting Pan		Internal Depth
	A	B		D	E	F
FTBA211006	280	195	115	210	105	63
FTBA231314	310	230	220	230	130	140
FTBA282020	370	310	280	285	200	200
FTBA342415	435	360	230	340	240	150
FTBA342422	435	360	300	340	240	220
FTBA472922	570	415	300	470	290	220
FTBA553526	650	460	360	550	350	260
FTBA654131	780	600	440	650	410	310

The above enclosures are sold with controls and terminals fitted. Contact your sales representative to discuss your project requirements.



Certification number: IECEx TSA 08.0036  
Range: FJB Series

### Features

- Certified for use in IIB plus hydrogen and conductive dust applications
- Customised etched identification label
- Protection
  - Ex d IIB + H2 T5/6
  - Ex tb IIIC T80/95
- Ambient temperature -20°C ~ + 60°C
- Conformity
  - IEC 60079-0, IEC 60079-7, IEC 60079-31
- Materials
  - Body – marine grade copper-free aluminium alloy
  - Gasket – silicone
  - Fixings – 316 stainless steel
- Surface finish – protective coating
- Protection rating – IP66 and IP67

Introduction

General Purpose

Special Purpose

The rectangular ex d enclosure is constructed from cast aluminium alloy and is suitable for use in hazardous areas with the most demanding conditions. These enclosures are designed to house terminals, electrical equipment and cable terminations in Zone 1, Zone 2, Zone 21 and Zone 22 applications where flammable liquids, gases & vapours or combustible dusts are frequently present. They can be configured for special, custom built applications such as motor starters, circuit breaker and local control stations.

Multiple Applications

### Inclusions

- Hinged lid
- Solid silicone seal in flange point
- Mounting pan
- Earth stud

Product Features

### Selection Guide

Catalogue No.	Dimensions (mm)			Mounting Pan (mm)		Maximum Electrical Rating		
	Height	Width	Depth	Height	Width	Amps	Volts	kVA
FTBA211006 <sup>▲</sup>	280	195	115	210	105	57	630	63
FTBA231314 <sup>▲</sup>	310	230	220	230	130	125	1000	215
FTBA282020 <sup>▲</sup>	370	310	280	285	200	215	1000	370
FTBA342415 <sup>▲</sup>	435	360	230	340	240	250	1000	430
FTBA342422 <sup>▲</sup>	435	360	300	340	240	215	1000	370
FTBA472922 <sup>▲</sup>	570	415	300	470	290	415	4000	2800
FTBA553526 <sup>▲</sup>	650	460	360	550	350	550	4000	3800
FTBA654131 <sup>▲</sup>	780	600	440	650	410	630	4000	4360

<sup>▲</sup> Available on request

The above enclosures are sold with controls and terminals fitted. Contact one of our sales engineers to discuss project requirements.



Mounting



Etched Labels



Controls

Data & Communications

Ancillary Items

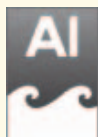
Technical Drawings

Technical Information

## Aluminium Rectangular Ex d Enclosure

Ex d & Ex tb Protection

Zones 1 & 2, 21 & 22



Protection: Ex d IIB + H2 T5/6  
Ex tb IIIC T80/95

Ambient Temperature: -20°C ~ +60°C

Conformity: IEC 60079-0, IEC 60079-7, IEC 60079-31  
Certification number: IECEx TSA 08.0036  
Range: FJB Series



IP66/67

### OVERVIEW

**The rectangular ex d enclosures are suitable for use in hazardous areas with the most demanding conditions.**

These enclosures are suitable for Zone 1 and 2, Zone 21 and 22 applications where flammable liquids, gases and vapours or combustible dusts are frequently present.

### MATERIALS

Body: Marine grade, copper-free aluminium alloy

Gasket: Silicone

Fixings: 316 stainless steel

Surface finish: Protective coating

### APPLICATION

Designed to house terminals, control and electrical equipment, cable terminations in areas classified hazardous by the presence of flammable liquids, gases and vapours or combustible dusts.

They can be configured for special, custom built applications such as motor starters, circuit breaker and local control stations.

### FEATURES

- IP66 and IP67 protection rating
- Certified for use in IIC hydrogen and conductive dust applications
- Customised etched identification label
- Solid silicone seal in flanged joint
- Mounting pan included
- Hinged lid
- Earth stud
- Entries, terminals and operators arranged to suit customer specifications
- Optional glass viewing window on cover

# ENCLOSURES AL RECTANGLE EX d

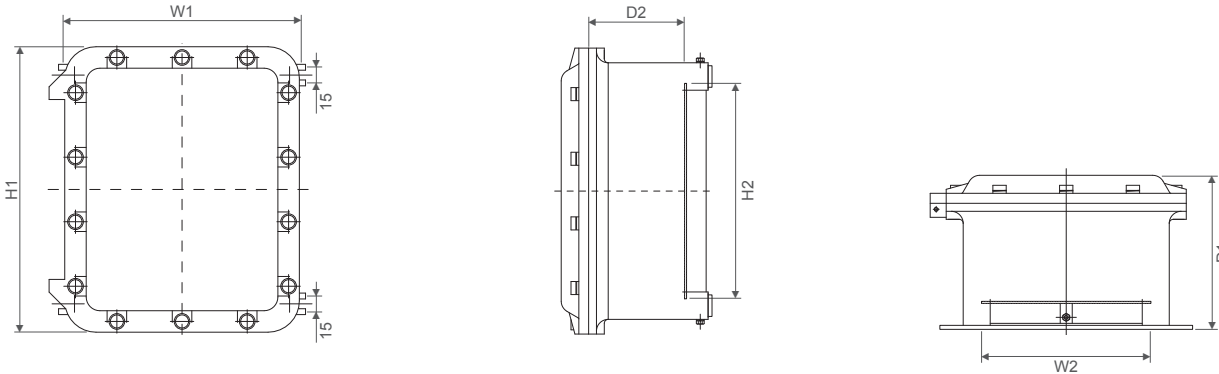
## CATALOGUE INFO

Catalogue No	Dimensions (mm)			Mounting Pan (mm)		Internal Depth (D2)	Internal Volume (L)	Maximum Electrical Rating		
	Height (H1)	Width (W1)	Depth (D1)	Height (H2)	Width (W2)			Amps	Volts	kVA
FTBA211006 <sup>▲</sup>	280	195	115	210	105	63	1.6	57	630	63
FTBA231314 <sup>▲</sup>	310	230	220	230	130	140	5.0	125	1000	215
FTBA282020 <sup>▲</sup>	370	310	280	285	200	200	14.0	215	1000	370
FTBA342415 <sup>▲</sup>	435	360	230	340	240	150	21.5	250	1000	430
FTBA342422 <sup>▲</sup>	435	360	300	340	240	220	15.0	215	1000	370
FTBA472922 <sup>▲</sup>	570	415	300	470	290	220	35.0	415	4000	2800
FTBA553526 <sup>▲</sup>	650	460	360	550	350	260	56.0	550	4000	3800
FTBA654131 <sup>▲</sup>	780	600	440	650	410	310	95.0	630	4000	4360

<sup>▲</sup> Available on request

The above enclosures are sold with controls and terminals fitted. Contact your sales engineers to discuss your project requirements.

## TECHNICAL DRAWINGS



## INCLUSIONS

The FTBA rectangular ex d enclosure can be customised to suit your requirements by the fitting of control gear/operators, entries and terminals.

### Example of Controls/Operators available:

- Pushbuttons
- Emergency Stop Operator
- Isolator Switches
- Key Switches
- Pilot Lights
- Terminals
- Ammeters
- Voltmeters
- Circuit Breakers



DISCLAIMER: For information only. Refer to certificate of conformity or contact our technical department for detailed product information.



Other brands in the B&R Group:



**Queensland** P: +61 7 3714 1000  
**Townsville** P: +61 7 4775 6255  
**Sydney** P: +61 2 8867 7688  
**Newcastle** P: +61 2 4961 4433  
**Victoria** P: +61 3 8588 8400

**South Australia** P: +61 8 8417 6200  
**Western Australia** P: +61 8 9248 9744  
**Tasmania** P: +61 3 6331 5545  
**Northern Territory** P: +61 8 8947 0870

Email sales@brenclosures.com.au  
 Web www.brenclosures.com.au