



Econo EC General Purpose Enclosures - IP55

Index

[Dimension Sheet](#)

[Catalogue Information](#)

[Leaflet](#)

Web Links

[Econo EC Information Page](#)

[Ask a question / Send us an enquiry](#)

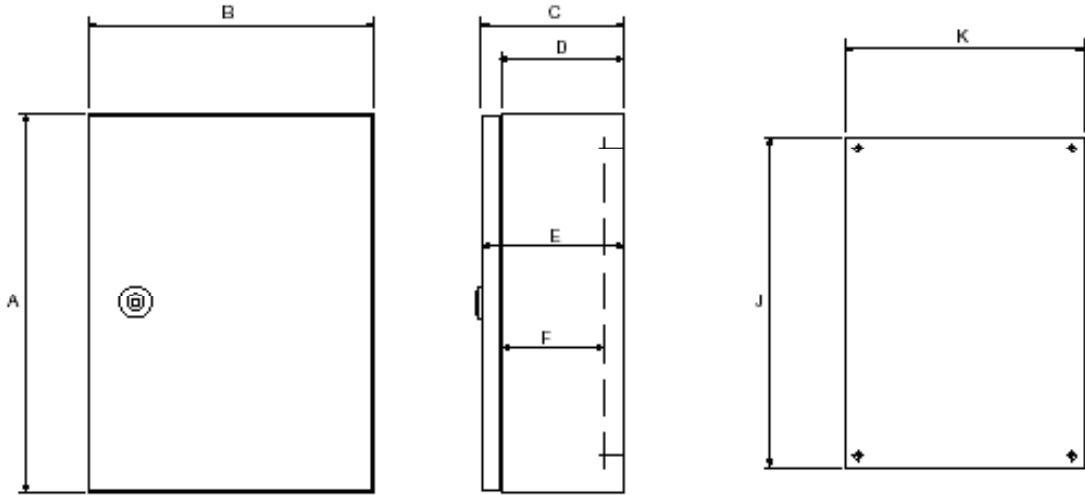
[Information about B&R](#)

[Local Sales Team Phone Numbers](#)

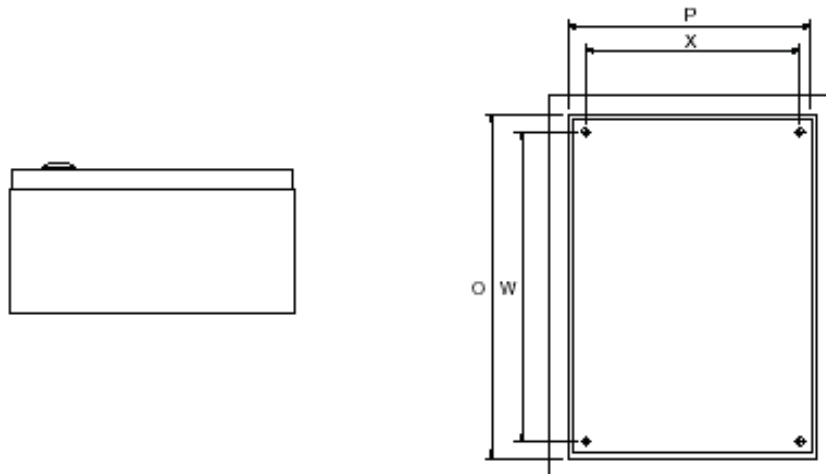


DIMENSION SHEET

ECONO EC



DIMENSION



Catalogue Number	External Dimensions				Internal Depth		Mounting Pan		Opening Size		Fixing Centres	
	A	B	C	D	E	F	J	K	O	P	W	X
EC3215	300	200	150	129	147	105	250	150	260	160	225	125
EC3315	300	300	150	129	147	105	250	250	260	260	225	225
EC4315	400	300	150	129	147	105	350	250	360	260	325	225
EC5315	500	300	150	129	147	105	450	250	460	260	425	225
EC5420	500	400	200	179	197	155	450	350	460	360	425	325
EC6420	600	400	200	179	197	155	550	350	560	360	525	325
EC7420	700	400	200	179	197	155	650	350	660	360	625	325
EC8525	800	500	250	229	247	205	750	450	760	460	725	425

DIMENSION SHEET

DIMENSION SHEET



Econo EC

General Purpose Enclosures - IP55

brenclosures.com.au/ec/ec.htm



Econo EC Features

- 130° door opening
- Galvanised steel mounting pan
- Threaded sockets on the rear of the enclosure to allow mounting feet attachment without compromising IP rating
- Approvals
 - CE marked
 - Lloyds
- Materials
 - Body - zinc coated steel
 - Body thickness - 1 mm
 - Gasket - polyurethane
- Surface finish - powdercoated
- Protection rating - IP55

The Econo EC is a budget IP55, general purpose enclosure, suitable for most large applications that require a lower IP. It is often used to

house switchgear or components in applications, where more fully featured enclosures are not required.

Inclusions

Steel mounting pan, 7 mm square turnbuckle lock (NI020), earth strap kit.

Econo EC Selection Guide

Catalogue No	Dimensions (mm)				Mounting Pan (mm)			Weight (kg)
	Height	Width	Depth	Usable Depth*	Height	Width	Thk	
EC3215	300	200	150	125	250	150	2	3.4
EC3315	300	300	150	125	250	250	2	4.6
EC4315	400	300	150	125	350	250	2	5.9
EC5315	500	300	150	125	450	250	2	7.3
EC5420	500	400	200	175	450	350	2	10.0
EC6420	600	400	200	175	550	350	2	11.7
EC7420	700	400	200	175	650	350	2	13.5
EC8525	800	500	250	225	750	450	2	18.4

* Mounting pan to underside of door



Econo EC Accessories

Product	Description	Catalogue No	EC3215	EC3315	EC4315	EC5315	EC5420	EC6420	EC7420	EC8525
Vent kit - external - zinc coated steel	130 x 130 mm	IPVK	•	•	•	•	•	•	•	•
Wall mounting brackets (pack of 4)	316 Stainless Steel	MEB/S	•	•	•	•	•	•	•	•

Econo EC Locks

Product	Description	Catalogue No	Standard Lock/Insert	Alternative insert	Keys		
					Lockable handles	Plastic, 3-way	Aluminium, 3-way
Turnbuckle	chromed steel	NI020*	7 mm square - steel*	See below		SKU	SKZ
	powdercoated	NI020/PS	7 mm square - stainless steel	See below		SKU	SKZ
	stainless steel	NI020/S	7 mm square - stainless steel	See below		SKU	SKZ
Wing knob	lockable	NI030	Key code 92268	–	SK3		
	non-lockable	NI111	–	–			
T handle	lockable	NI040	Key code 92268	–	SK3		
L handle	lockable	NI050	Key code 92268	–	SK3		
	padlockable	NI052	–	–			

Locks Inserts for NI020 Locks

To suit lock style	Description	To suit turn-buckle lock	Standard Insert	3 mm double bit pin		8 mm square		8 mm triangle	
				Steel	Stainless Steel	Steel	Stainless Steel	Steel	Stainless Steel
Turnbuckle	chromed steel	NI020*	7 mm square - steel*	LKINS3P		LKINS8S		LKINS8T	
	powdercoated with SS insert	NI020/PS	7 mm square - stainless steel	LKINS3P	LKINS3P/S	LKINS8S	LKINS8S/S	LKINS8T	LKINS8T/S
	stainless steel	NI020/S	7 mm square - stainless steel		LKINS3P/S		LKINS8S/S		LKINS8T/S
Key required - aluminium			SKZ	SKZ	SKZ	SK8	SK8	SKZ	SKZ
Key required - plastic			SKU	SKU	SKU	–	–	SKU	SKU

* Standard

Econo EC

General Purpose Enclosures - IP55



The Econo EC is a budget IP55, general purpose enclosure, suitable for most large applications that require a lower IP. It is often used to house switchgear or components in applications, where more fully featured enclosures are not required.

Typical installations include, industrial automation and process control applications.

Size Range Summary

Model	EC3215	EC3315	EC4315	EC5315	EC5420	EC6420
Height	300	300	400	500	500	600
Width	200	300	300	300	400	400
Depth	150	150	150	150	200	200

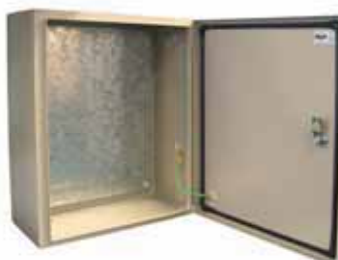
Model	EC7420	EC8525
Height	700	800
Width	400	500
Depth	200	250

Inclusions

Galvanised steel mounting pan, 7 mm square turnbuckle lock (NI020), earth strap kit.

Accessories Summary

Vent kits, mounting brackets, various lock options.



Econo EC Features

- Protection rating of IP55 certified by NATA to ensure protection against dust and water intrusion
- Zincaneal® steel, corrosion resistant construction with a powdercoated paint finish, for extra durability in the harsh Australian climate
- 130° door opening for ease of access to internal systems
- Galvanised steel mounting pan as standard for easy installation of equipment
- Combined fixing studs for internal mounting pan and external mounting brackets with no drilling required (maintains IP rating)
- Polyurethane gasket foamed in place to ensure adequate sealing, protecting internal equipment
- Earthing strap included for additional safety

Approvals

CE marked
Lloyds

Materials

Body - Zincaneal® steel
Body Thickness - 1 mm
Gasket - Polyurethane

Surface Finish - Powdercoat
RAL7032

Protection Rating - IP55

Guides

Material selection - page 290

Also of interest

Smaller sizes - page 54
Larger sizes - page 62
Higher IP rating - page 62

Drawing

Page 267

Econo EC Enclosures and Dimensions

Model	Dimensions (mm)			Mounting Pan (mm)			Usable Depth (mm)*	Weight (kg)
	Height	Width	Depth	Height	Width	Thickness		
EC3215	300	200	150	250	150	2	125	3.4
EC3315	300	300	150	250	250	2	125	4.6
EC4315	400	300	150	350	250	2	125	5.9
EC5315	500	300	150	450	250	2	125	7.3
EC5420	500	400	200	450	350	2	175	10.0
EC6420	600	400	200	550	350	2	175	11.7
EC7420	700	400	200	650	350	2	175	13.5
EC8525	800	500	250	750	450	2	225	18.4

* Mounting pan to underside of door

Econo EC Accessories

External Vent Kit

Ensures that the enclosure does not become excessively hot by allowing natural circulation of air. The vent kit includes a gasket, insert filter and fittings. Note that by the nature of this item, the enclosure will then not be rated to IP55.

Catalogue Number	Description	Dimensions
IPVK	External Vent Kit - RAL7032	130 x 130 mm (suits cutout 80 x 80 mm)



Mounting Brackets

Mounting brackets are designed to suit the Econo EC external fixing points, so no drilling into the enclosure is required, and the IP rating is maintained. They have a standoff height of 12 mm from the mounting surface.

Brackets are manufactured from 2 mm thick 316 Stainless Steel and all fixings are supplied to mount to the enclosure.

Catalogue Number	Description	Dimensions (mm)			To Suit Enclosures Width (mm)
		Height	Width	Standoff	
MEB/S	4 Individual Mounting brackets and fittings	75	47	12	All



Earth Strap Kits (Replacement Only)

Earth strap kits are supplied as part of the Econo EC enclosure, however replacements are also available.

Catalogue Number	Description
ECESK	Earth Strap and fixings

Econo EC Accessories (continued)

Locks

To ensure that the contents of the enclosure remain safe, a wide range of different styles of locks are available. These include keyed locking systems and 'T' and 'L' handle locks for easy opening.

Also available is a range of lock inserts for B&R's standard turnbuckle lock. This can help standardise locks across a site.

Catalogue Number	Description
NI020	Standard Turnbuckle Lock
NI020/DC	Dust cap for NI020 lock
NI020/PS	Zinc Die Cast Nut Lock Insert
NI020/S	Turnbuckle Lock - 316 stainless steel
NI111	Non Lockable Wing Knob
NI030	Lockable Wing Knob keyed to code 92268
NI040	Lockable 'T' Handle keyed to code 92268
NI050	Lockable 'L' Handle keyed to code 92268
NI052	Padlockable 'L' Handle

For lock inserts see page 65.





GENERAL PURPOSE

ECONO EC

Corrosion resistant 1.0mm thick zinc coated steel with powdercoat paint finish

Galvanised steel mounting pan supplied as standard

IP55 protection rating



Foamed in place polyurethane gasket

Easy access with 130° door opening

The Econo EC is a budget general purpose enclosure suitable for medium to larger sized applications. It is often used to house switchgear or components in applications requiring lower IP ratings, where a more fully featured enclosure is not required.

The Econo EC range includes a galvanised steel mounting pan, and an earth strap kit as standard. Not only are components easy to install, but the whole enclosure has been designed to enable it to be fixed to a wall quickly and easily. Mounting brackets are available as an optional extra, which require no drilling for installation onto the enclosure.

Typical installations are for industrial automation and process control applications.

Contact your local B&R office for details
www.brenclosures.com.au

TECHNICAL INFORMATION



Model	Dimensions (mm)				Mounting Pan (mm)		
	Height	Width	Depth	Usable Depth*	Height	Width	Thickness
EC3215	300	200	150	125	250	150	2
EC3315	300	300	150	125	250	250	2
EC4315	400	300	150	125	350	250	2
EC5315	500	300	150	125	450	250	2
EC5420	500	400	200	175	450	350	2
EC6420	600	400	200	175	550	350	2
EC7420	700	400	200	175	650	350	2
EC8525	800	500	250	225	750	450	2



SPECIAL FEATURES

- NATA tested to IP55 protection rating
- Corrosion resistant 1.0 mm thick zinc coated steel with powdercoat paint finish
- Galvanised steel mounting pan supplied as standard
- Easy access with 130° door opening
- Combined fixing studs for internal mounting pan and external mounting brackets with no drilling required
- Foamed in place polyurethane gasket
- Earth strap kit included for additional safety

ACCESSORIES GUIDE

Model	Accessories		
	Vent Kit	Mounting Brackets	Locks
EC3215	•	•	•
EC3315	•	•	•
EC4315	•	•	•
EC5315	•	•	•
EC5420	•	•	•
EC6420	•	•	•
EC7420	•	•	•
EC8525	•	•	•

SALES OFFICES

Queensland (Brisbane)
Ph 07 3714 1000

Queensland (Townsville)
Ph 07 4775 6255

New South Wales (Sydney)
Ph 02 9687 0077

New South Wales (Newcastle)
Ph 02 4961 4433

Victoria (Melbourne)
Ph 03 8588 8400

South Australia (Adelaide)
Ph 08 8243 1166

Western Australia (Perth)
Ph 08 9248 9744

Tasmania (Launceston)
Ph 03 6331 5545

Northern Territory (Darwin)
Ph 08 8947 0870