

Ausrack Cable Management Cable Management Systems and Fingers

Index

[Catalogue Information](#)

[Leaflet](#)

Web Links

[Cable Management Information Page](#)

[Ask a question / Send us an enquiry](#)

[Information about B&R](#)

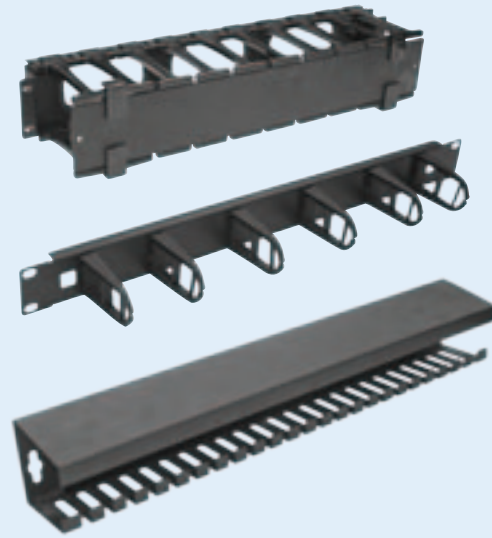
[Local Sales Team Phone Numbers](#)



Ausrack Cable Management

Cable Management Systems and Fingers

brenclosures.com.au/arcm.htm



Features

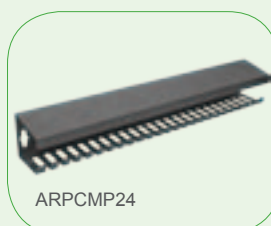
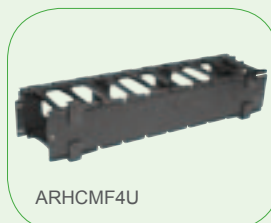
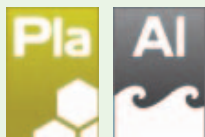
- Suitable for Ausrack Plus frames and cabinets
- Modular two finger plastic guide with rounded edges to protect cables
- RU spaced for alignment with equipment
- Materials
 - Fingers – Plastic
 - Panels – Aluminium
- Surface finish – powdercoated

A cable management solution for use in high density cabling applications. The Ausrack Plus Network and Server cabinets are enhanced with the addition of vertical and horizontal cable solutions using plastic T-finger cable guides suitable for all datacentre applications.

Selection Guide

Product	Description	Catalogue No.	Height (RU)	Width (mm)	To suit cabinets & frames
Horizontal Cable Management	Cable fingers and cover panel	ARHCMF1U	1	–	All Ausrack Plus products
		ARHCMF2U	2	–	
		ARHCMF4U	4	–	
Vertical Cable Management Fingers	Cable fingers and connection bracket	ARVCMF40U	40	–	All Ausrack Plus products
		ARVCMF45U	45	–	
		ARVCMF40UR	40	–	Ausrack CQr & Ausrack TxD
		ARVCMF45UR	45	–	
Vertical Cable Management System	U-Channel system with cable fingers and connection brackets.	ARVCMS40U10	40	100	Ausrack Plus products – 800mm wide or with use of cable zones
		ARVCMS40U20	40	200	
		ARVCMS45U10	45	100	
		ARVCMS45U20	45	200	
Horizontal Cable Management	Cable management rings, 55mm x 30mm	ARPCMH1U	1	–	All Ausrack Plus products
Cable Management Rings	155mm deep, single zone	ARPCMR2S	–	–	100mm cable zone
	300mm deep, single zone	ARPCMR3S	–	–	100mm cable zone
	300mm deep, two zone	ARPCMR3D	–	–	200mm cable zone
Cable management patch bracket	–	ARPCMB	–	–	All
Cable management hanger	24 Port – 597mm	ARPCMP24	–	–	All Ausrack Plus products

Cable Management Systems and Fingers



OVERVIEW

The Ausrack Plus Network and Server cabinets are enhanced with the addition of vertical and horizontal cable solutions and are suitable for all data centre applications

MATERIALS

Fingers: Plastic
Panels: Aluminium
Surface finish: Powdercoated textured matt black

APPLICATION

Designed for use in high density cabling applications.

FEATURES

- Suitable for Ausrack frames and cabinets
- Modular two finger plastic guide with rounded edges to protect cables
- RU spaced for alignment with equipment

AUSRACK CABLE MANAGEMENT

CATALOGUE INFO

Product	Description	Catalogue No.	Height (RU)	Width (mm)	To suit cabinets & frames
Horizontal Cable Management	Cable fingers and cover panel	ARHCMF1U	1	–	All Ausrack Plus products
		ARHCMF2U	2	–	
		ARHCMF4U	4	–	
Vertical Cable Management Fingers	Cable fingers and connection bracket	ARVCMF40U	40	–	All Ausrack Plus products
		ARVCMF45U	45	–	
		ARVCMF40UR	40	–	Ausrack CQr & Ausrack TxD
		ARVCMF45UR	45	–	
Vertical Cable Management System	U-Channel system with cable fingers and connection brackets.	ARVCMS40U10	40	100	Ausrack Plus products – 800mm wide or with use of cable zones
		ARVCMS40U20	40	200	
		ARVCMS45U10	45	100	
		ARVCMS45U20	45	200	
Horizontal Cable Management	Cable management rings, 55mm x 30mm	ARPCMH1U	1	–	All Ausrack Plus products
Cable Management Rings	155mm deep, single zone	ARPCMR2S	–	–	100mm cable zone
	300mm deep, single zone	ARPCMR3S	–	–	100mm cable zone
	300mm deep, two zone	ARPCMR3D	–	–	200mm cable zone
Cable management patch bracket	–	ARPCMB	–	–	All
Cable management hanger	24 Port – 597mm	ARPCMP24	–	–	All Ausrack Plus products



Other brands in the B&R Group:



Queensland P: +61 7 3714 1000
Townsville P: +61 7 4775 6255
Sydney P: +61 2 8867 7688
Newcastle P: +61 2 4961 4433
Victoria P: +61 3 8588 8400

South Australia P: +61 8 8417 6200
Western Australia P: +61 8 9248 9744
Tasmania P: +61 3 6331 5545
Northern Territory P: +61 8 8947 0870

Email sales@brenclosures.com.au
 Web www.brenclosures.com.au